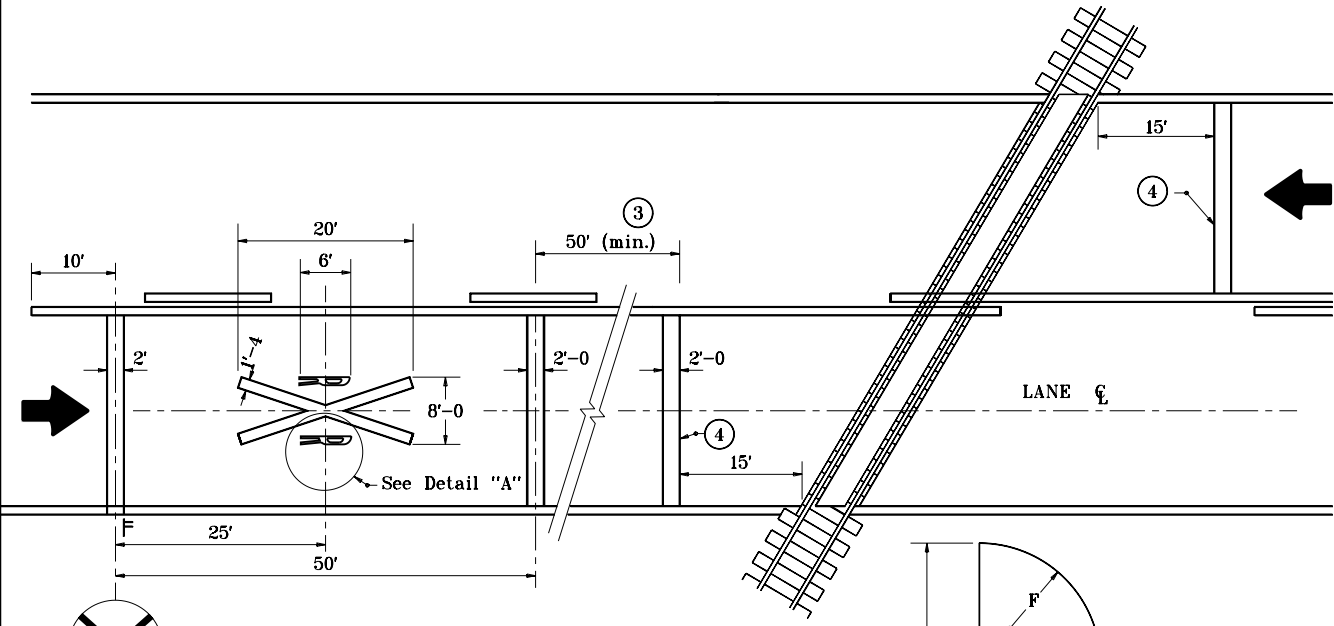


GENERAL NOTES

1. For 2-way left-turn lanes, the center lane shall be discontinued across the railroad crossing and marked as a flush median or as a 1-way left-turn lane.
2. For a multi-lane highway, the traverse lines shall be extended across all approach lanes, and the individual railroad crossing symbols provided in each lane.
- ③ Stopping sight distance in rural areas; variable in urban areas, but not less than 50 ft. See Stopping Sight Distance Table.
- ④ Stop line is approximately 8 ft from gate (if present).

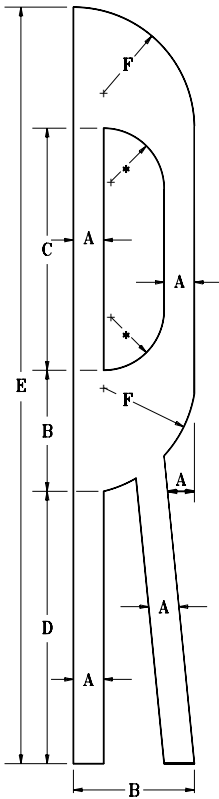


STOPPING SIGHT DISTANCE ③

DESIGN SPEED (mph)	Distance, ft
30	200
35	275
40	325
45	400
50	475
55	575
60	650

- A = 23 3/4"
- B = 11 1/2"
- C = 1'-11"
- D = 2'-1"
- E = 6'-0"
- F = 11 1/2"
- * = 5 3/4" R

DETAIL "A"



INDIANA DEPARTMENT OF TRANSPORTATION
PAVEMENT MARKING FOR RAILROAD CROSSINGS
 JANUARY 2000
 STANDARD DRAWING NO. **E 808-MKPM-07**

	/s/ Anthony L. Uremovich 1-03-00 <small>DESIGN STANDARDS ENGINEER DATE</small>
	/s/ Firooz Zandi 1-03-00 <small>CHIEF HIGHWAY ENGINEER DATE</small>