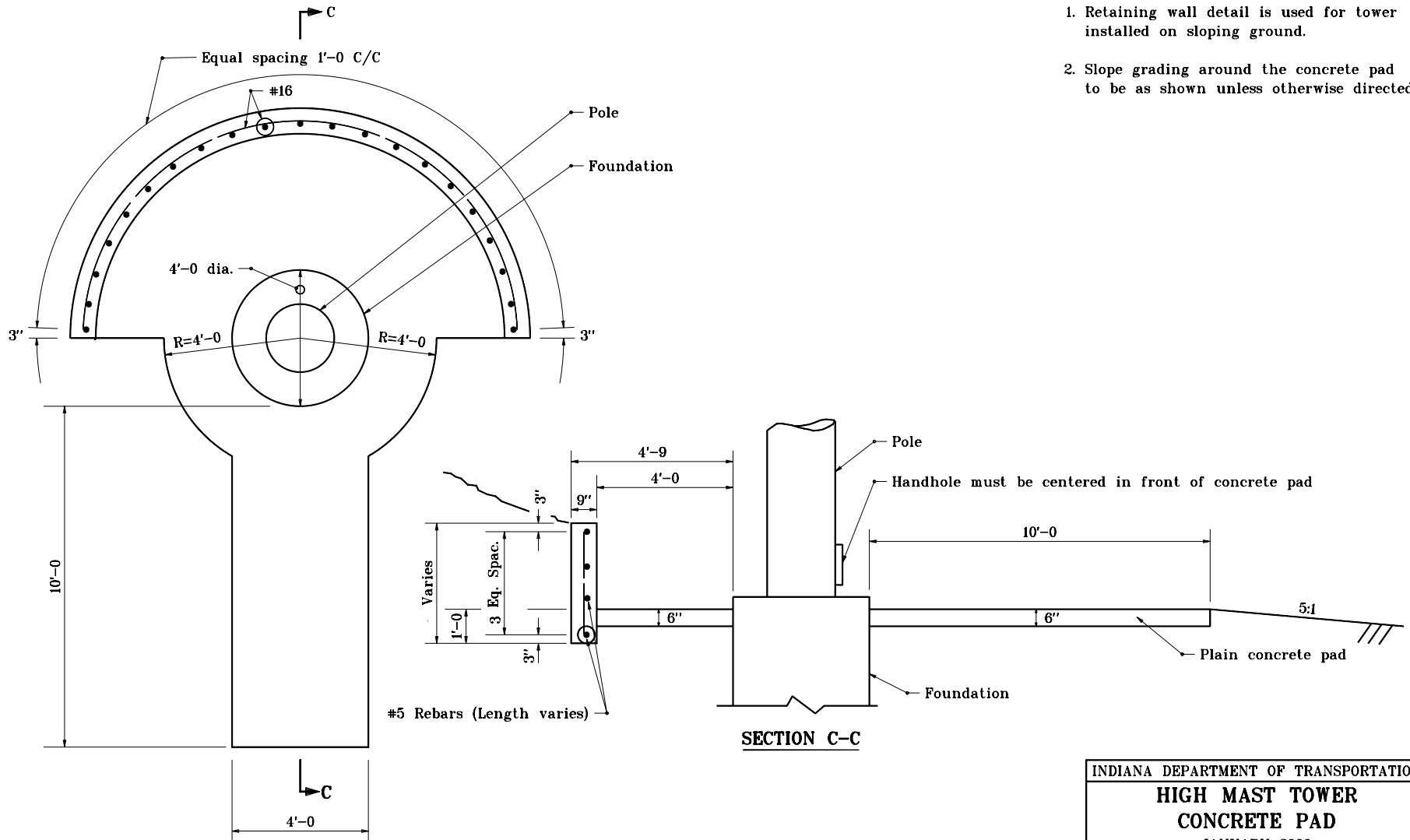


**GENERAL NOTES**

1. Retaining wall detail is used for tower installed on sloping ground.
2. Slope grading around the concrete pad to be as shown unless otherwise directed.



**EXTERNAL WINCH CONCRETE PAD  
WITH RETAINING WALL**

INDIANA DEPARTMENT OF TRANSPORTATION	
<b>HIGH MAST TOWER CONCRETE PAD</b>	
JANUARY 2000	
STANDARD DRAWING NO <b>E 807-LTHM-04</b>	
	/s/ Anthony L. Uremovich 1-03-00 DESIGN STANDARDS ENGINEER DATE
	/s/ Firooz Zandi 1-03-00 CHIEF HIGHWAY ENGINEER DATE