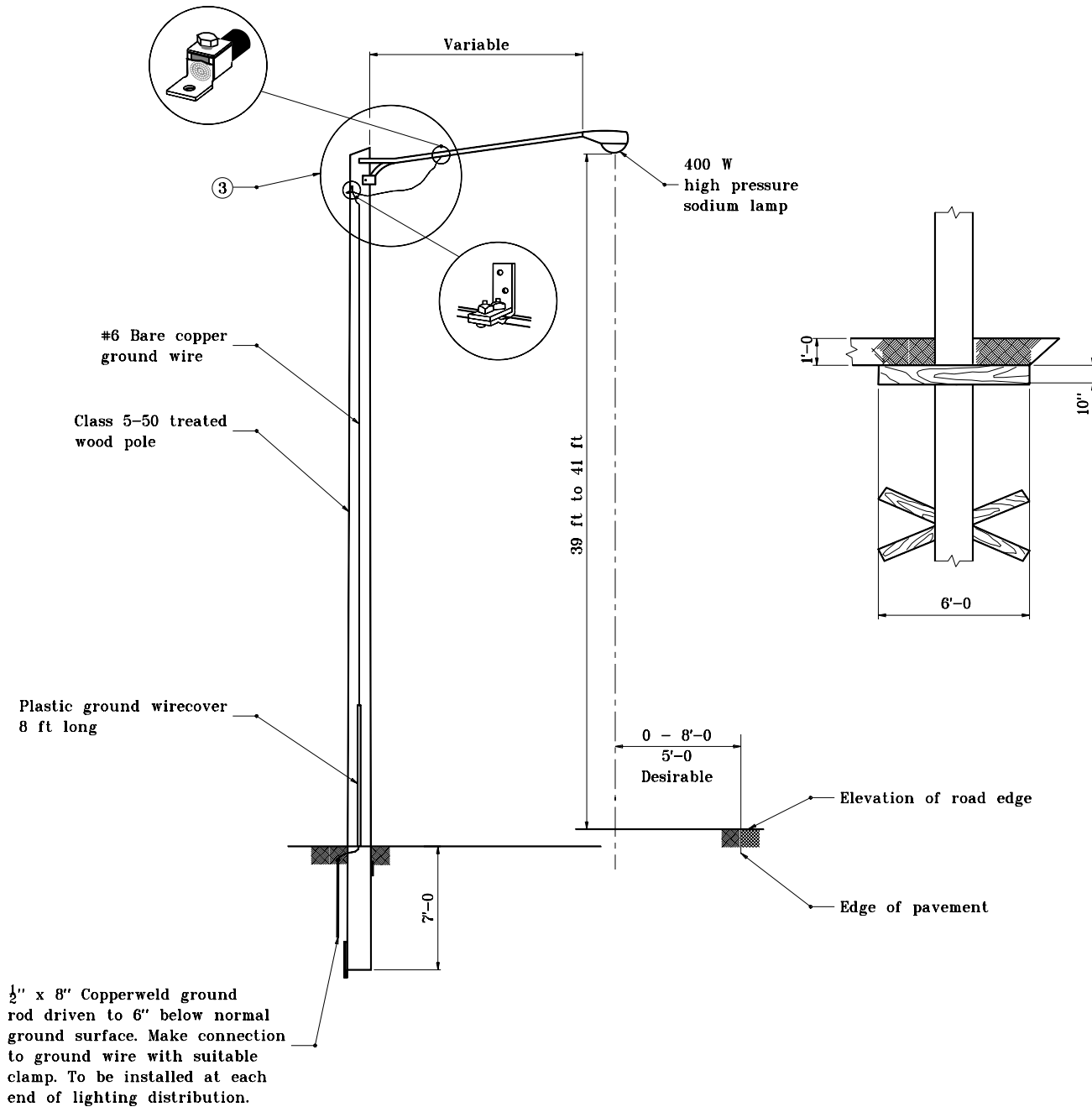


GENERAL NOTES

1. Install 2" x 10" x 6'-0 treated plank 1'-0 below ground surface with inner face directly against pole outer face to be placed against undisturbed earth as near as practicable.
2. Pole key anchor and plank stabilizer to be installed at each major change of overhead line direction and at each end of lighting distribution.
- ③ See Section on Standard Drawing E 807-LHTI-07.



INDIANA DEPARTMENT OF TRANSPORTATION	
TEMPORARY HIGHWAY ILLUMINATION DETAILS	
JANUARY 2000	
STANDARD DRAWING NO. E 807-LTHI-06	
	/s/ Anthony L. Uremovich 1-03-00 DESIGN STANDARDS ENGINEER DATE
	/s/ Firooz Zandi 1-03-00 CHIEF HIGHWAY ENGINEER DATE
DESIGN STANDARDS ENGINEER	