

24" Class III reinforced concrete pipe

Duct seal around conductors

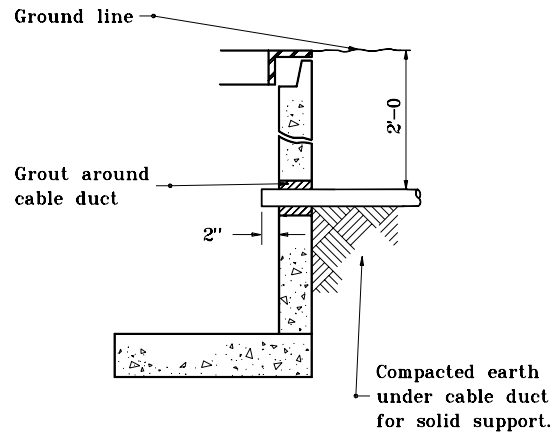
Cable duct

Concrete pad

Aggregate

**STREET & ALLEY TYPE
HANDHOLE**

* 4" min. for alternate handhole



**CABLE DUCT ENTERING
HANDHOLE**

GENERAL NOTES

1. Alternate handhole minimum size shall be 1'-7 x 2'-6 x 1'-10 depth with 2 in. lid thickness.
2. Approximate weight for cast iron ring and cover shall be 320 lb.

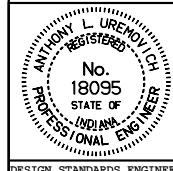
INDIANA DEPARTMENT OF TRANSPORTATION

LIGHT HANDHOLE DETAILS

MARCH 1995

STANDARD DRAWING NO. E 807-LTHH-01

DETAILS PLACED IN THIS FORMAT 7-27-99



/s/ Anthony L. Uremovich 7-27-99
DESIGN STANDARDS ENGINEER DATE

/s/ Firooz Zandi 7-27-99
CHIEF HIGHWAY ENGINEER DATE

DESIGN STANDARDS ENGINEER

ORIGINALLY APPROVED 3-01-95