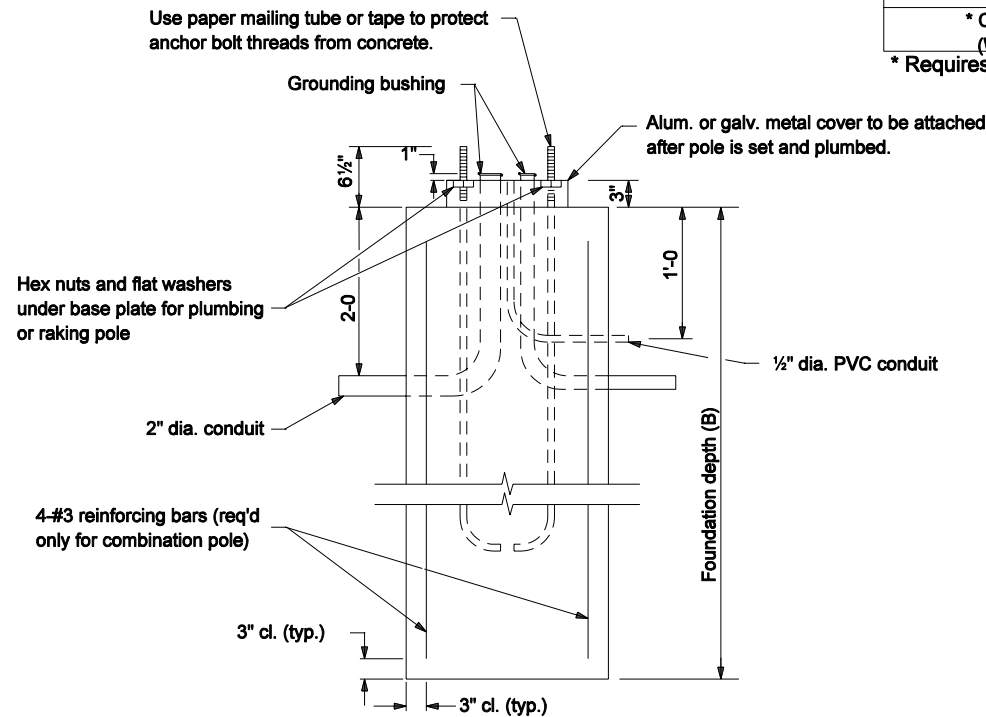


**GENERAL NOTES**

1. Top 6" of foundation may be squared.
- ② A round foundation may be supplied in lieu of square using the following equivalent (A) dimensions:  
2'-6" Square = 3'-0" Round  
3'-0" Square = 3'-6" Round
- ③ See Base Plate Detail on Standard Drawing E 805-SGMA-05.
- ④ See Standard Drawing E 805-SGMA-05 for Detail D.

SIGNAL CANTILEVER FOUNDATION DIMENSIONS		
ARM LENGTH (L), ft	SQUARE (A)	FDN. DEPTH (B)
12, 15, 20, 25	2'-6"	7 ft
30, 35, 40	3'-0"	8 ft
All Twin Arms * Combination Pole (With Luminaire)	3'-0"	8 ft

\* Requires 4-#3 x 7'-9" as shown on foundation detail.

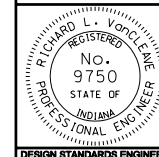


INDIANA DEPARTMENT OF TRANSPORTATION

**SIGNAL CANTILEVER  
FOUNDATION DETAIL**

MARCH 2005

STANDARD DRAWING NO. E 805-SGMA-03



/s/ Richard L. VanCleave 3-01-05  
DESIGN STANDARDS ENGINEER DATE

/s/ Richard K. Smutzer 3-01-05  
CHIEF HIGHWAY ENGINEER DATE

DESIGN STANDARDS ENGINEER