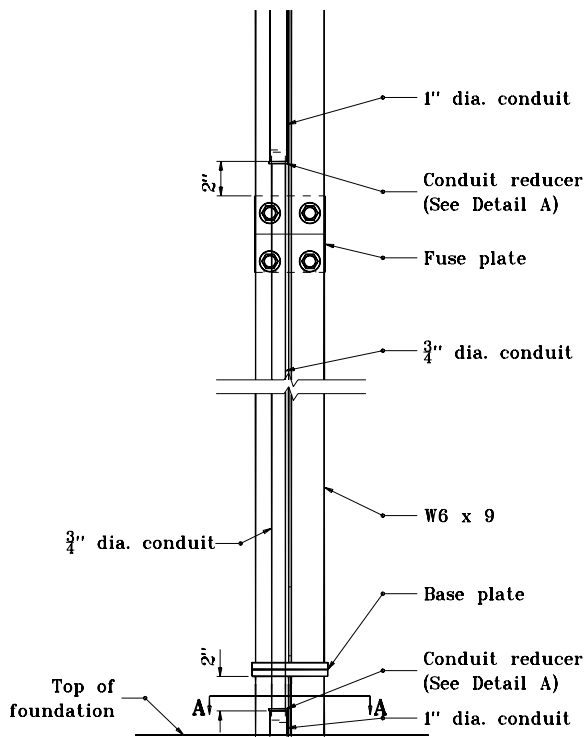
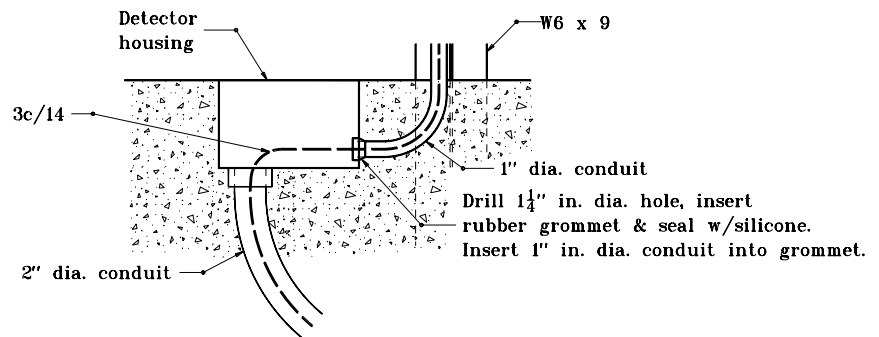


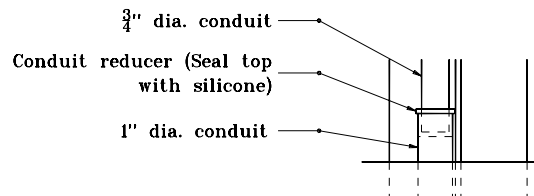
SECTION A-A



CONDUIT DETAIL



DETECTOR HOUSING DETAIL



**DETAIL A
(INVERT FOR TOP CONDUIT JOINT)**

INDIANA DEPARTMENT OF TRANSPORTATION	
FLASHING BEACON WITH WARNING SIGN DETAILS	
SEPTEMBER 1998	
STANDARD DRAWING NOE 805-SGFB-01A	
	DETAILS PLACED IN THIS FORMAT 11-15-99 /s/ Anthony L. Uremovich 11-15-99 <small>DESIGN STANDARDS ENGINEER DATE</small>
<small>DESIGN STANDARDS ENGINEER</small>	/s/ Firooz Zandi 11-15-99 <small>CHIEF HIGHWAY ENGINEER DATE</small> ORIGINALLY APPROVED 9-01-98