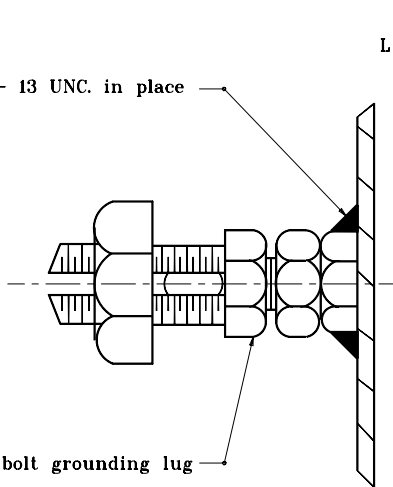
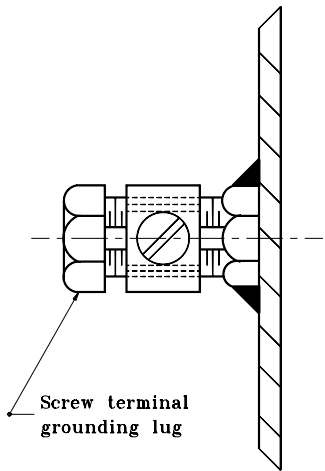
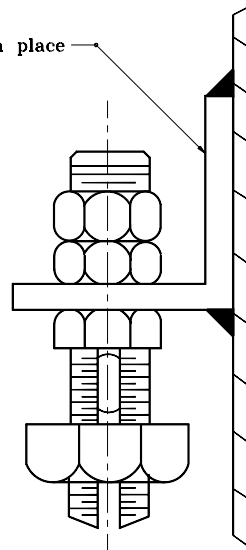


$\frac{1}{2}$ " - 13 UNC. in place

Split bolt grounding lug

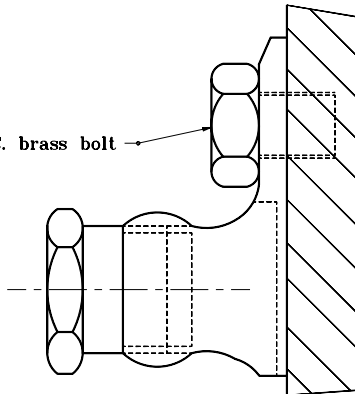


L Bracket in place



Screw terminal grounding lug

$\frac{1}{2}$ " - 13 UNC. brass bolt



**ALTERNATIVE GROUNDING POSTS DETAIL A**

**GENERAL NOTES**

1. Oxidation inhibitor shall be liberally applied to all surfaces that mate with a dissimilar material.

INDIANA DEPARTMENT OF TRANSPORTATION	
<b>SIGN WIRING DETAILS</b>	
SEPTEMBER 2001	
STANDARD DRAWING NO. <b>E 802-SNWR-03</b>	
	<i>/s/ Anthony L. Uremovich</i> 9-04-01 <small>DESIGN STANDARDS ENGINEER      DATE</small>
	<i>/s/ Firooz Zandi</i> 9-04-01 <small>CHIEF HIGHWAY ENGINEER      DATE</small>
<small>DESIGN STANDARDS ENGINEER</small>	