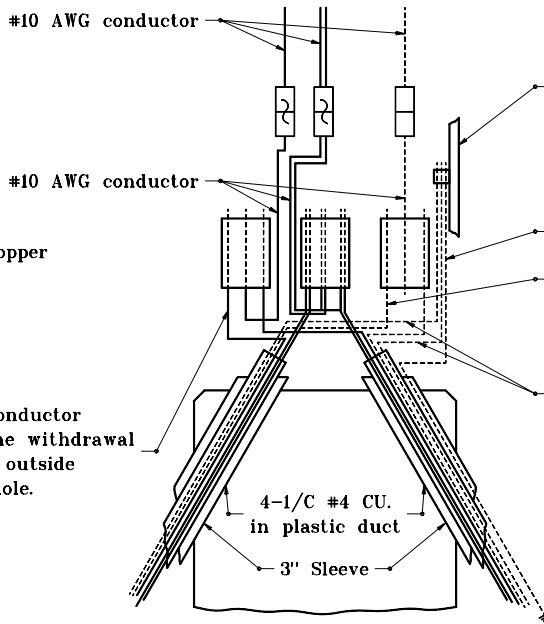


Grounding post  
Detail A

#6 AWG solid bare copper

Green equipment  
grounding conductor

Allow sufficient conductor  
slack to permit the withdrawal  
of the connectors outside  
of the pole handhole.



Grounding post Detail B

#6 AWG solid bare copper

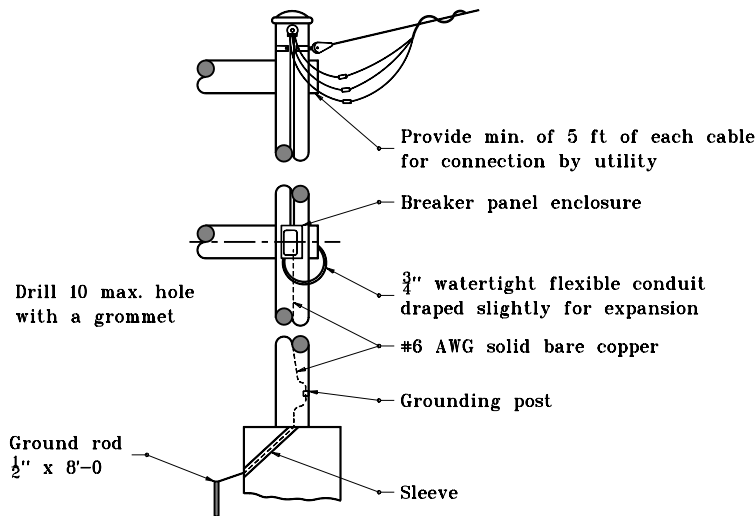
Neutral

Green equipment  
grounding conductor

**OVERHEAD SIGN SERVICE DETAIL  
(UNDERGROUND CONNECTIONS)**

**GENERAL NOTES**

1. Breaker panel wiring to be used with bridge bracket sign illumination, or when lighting overhead sign is not part of a roadway lighting system.
2. Oxidation inhibitor shall be liberally applied to all surfaces that mate with a dissimilar material.



Provide min. of 5 ft of each cable  
for connection by utility

Breaker panel enclosure

3/4" watertight flexible conduit  
draped slightly for expansion

#6 AWG solid bare copper

Grounding post

Drill 10 max. hole  
with a grommet

Ground rod  
1/2" x 8'-0"

Sleeve

**OVERHEAD SIGN SERVICE DETAIL  
(AERIAL CONNECTION)**

**LEGEND**

- Self insulated splicer  
(Insulating Link)
- Un-fused connector
- Fused connector
- Compression connector

INDIANA DEPARTMENT OF TRANSPORTATION	
<b>SIGN WIRING DETAILS</b>	
SEPTEMBER 2001	
STANDARD DRAWING NO. E 802-SNWR-01	
	/s/ Anthony L. Uremovich 9-04-01 DESIGN STANDARDS ENGINEER DATE
	/s/ Firooz Zandi 9-04-01 CHIEF HIGHWAY ENGINEER DATE
DESIGN STANDARDS ENGINEER	