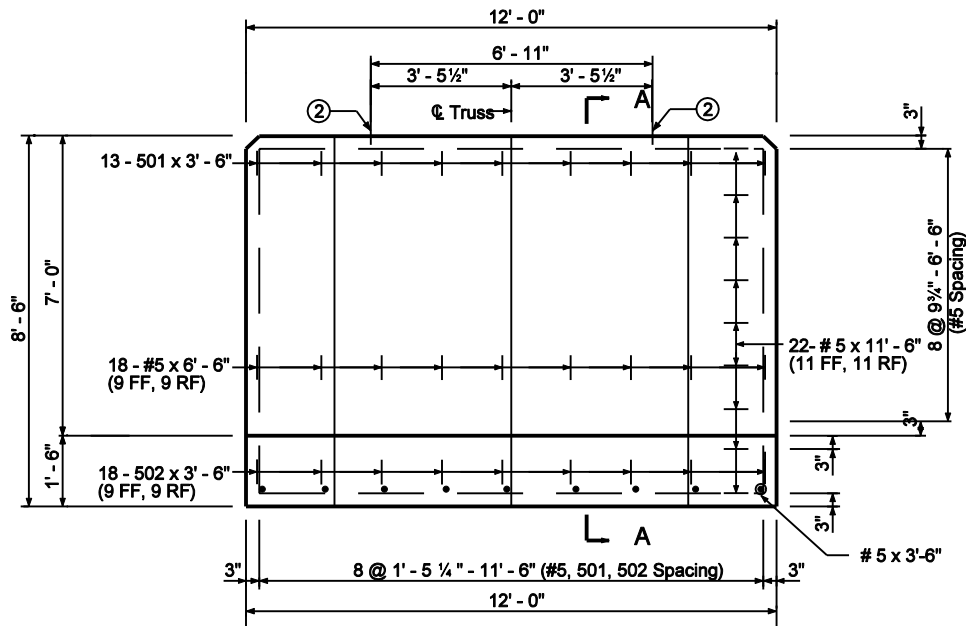
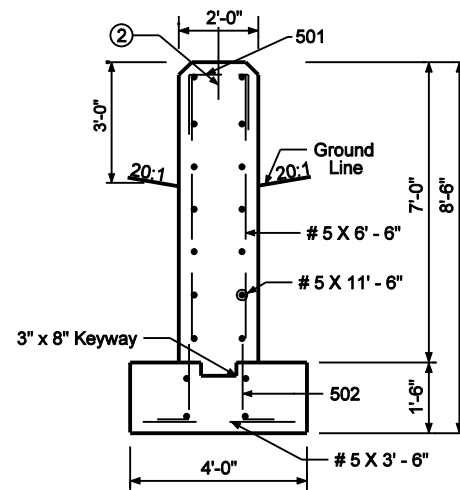


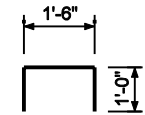
PLAN



ELEVATION



SECTION A-A



501 x 3'-6"



502 x 3'-6"

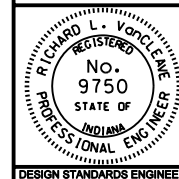
Notes:

1. For barrier wall width transition see Standard Drawing E 602-CCMB-03.

② Ⓞ Anchor Bolt.

INDIANA DEPARTMENT OF TRANSPORTATION
**BOX TRUSS SIGN FOUNDATION
 FOR GRASS MEDIAN INSTALLATION
 TYPE V-D
 MARCH 2003**

STANDARD DRAWING NO. E 802-SNBF-02



/s/ Richard L. VanCleave 3-03-03
 DESIGN STANDARDS ENGINEER DATE

/s/ Richard K. Smutzer 3-03-03
 CHIEF HIGHWAY ENGINEER DATE

DESIGN STANDARDS ENGINEER