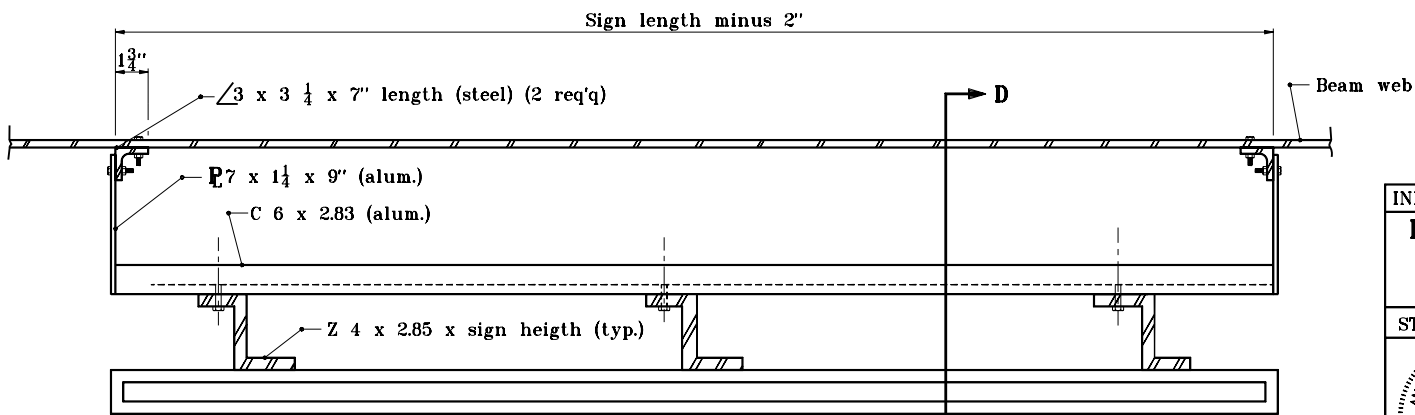


**SECTION D-D**



**PLAN (TYPE B)  
0° CONNECTION**

|  |  |
|--|--|
| INDIANA DEPARTMENT OF TRANSPORTATION                   |  |
| <b>BRIDGE BRACKET ASSY. FOR<br/>CROSS-ROAD SIGNING</b> |  |
| SEPTEMBER 2001   |  |
| STANDARD DRAWING NO. <b>E 802-SNBB-03</b>              |  |
|  | /s/ Anthony L. Uremovich 9-04-01<br>DESIGN STANDARDS ENGINEER DATE |
|  | /s/ Firooz Zandi 9-04-01<br>CHIEF HIGHWAY ENGINEER DATE            |
| DESIGN STANDARDS ENGINEER                              |  |