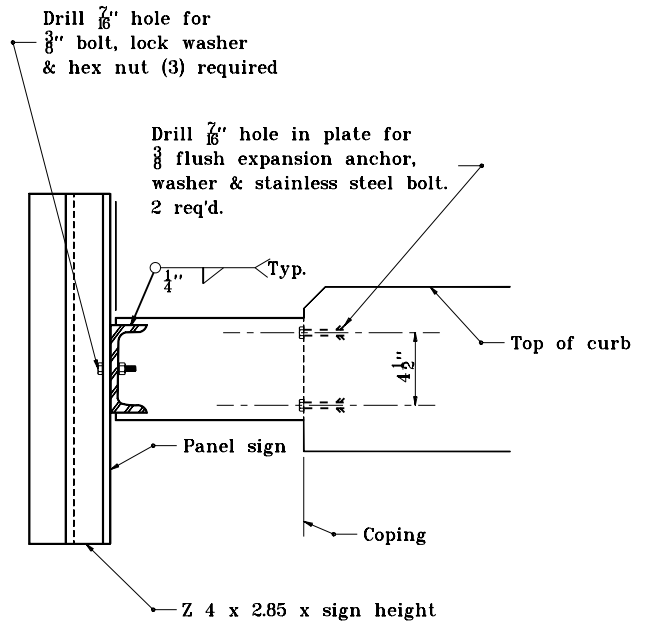


PLAN (TYPE A)

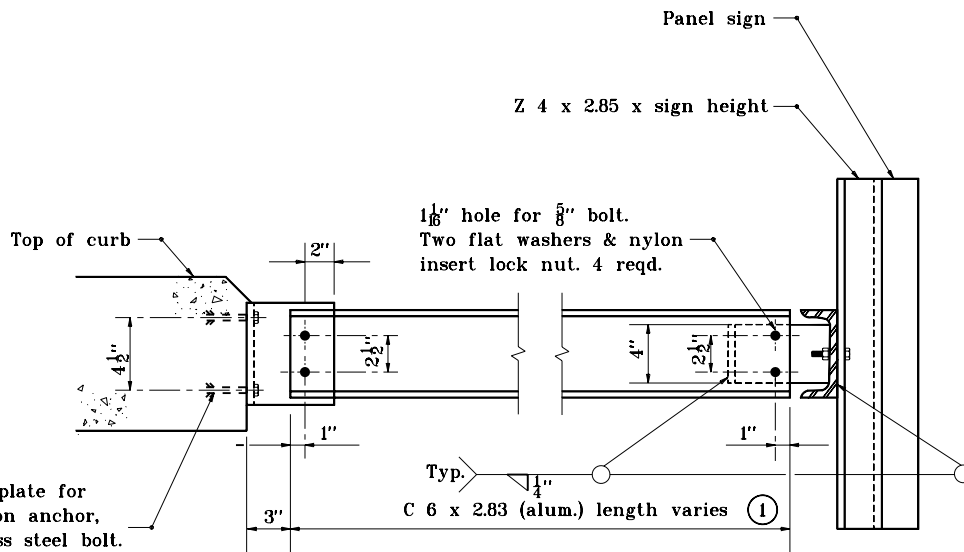
10°, 20°, 30°, & 40° CONNECTIONS



SECTION B-B

GENERAL NOTES

① See Standard Drawing E 802-SNBB-05 for table.



SECTION C-C

INDIANA DEPARTMENT OF TRANSPORTATION	
BRIDGE BRACKET ASSY. FOR	
CROSSROAD SIGNING	
SEPTEMBER 2001	
STANDARD DRAWING NO. E 802-SNBB-02	
	/s/ Anthony L. Uremovich 9-04-01 DESIGN STANDARDS ENGINEER DATE
	/s/ Firooz Zandi 9-04-01 CHIEF HIGHWAY ENGINEER DATE
DESIGN STANDARDS ENGINEER	