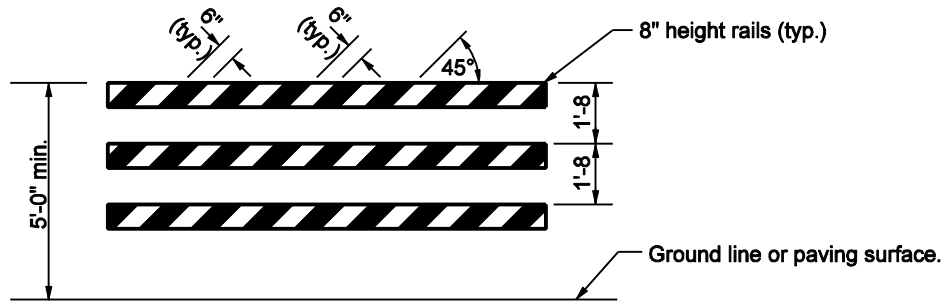
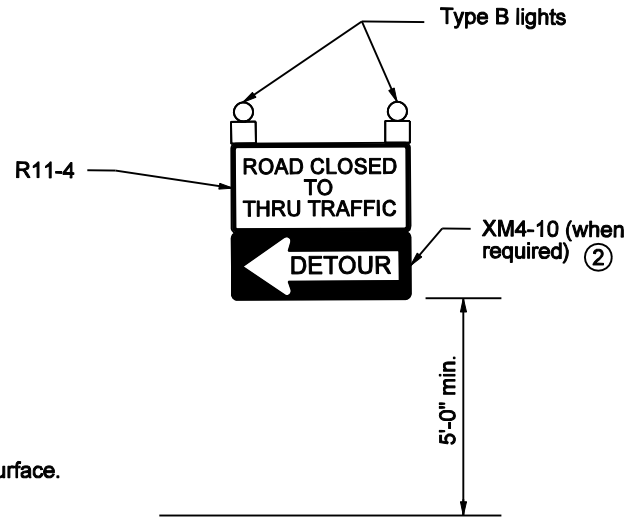


General Notes

1. Barricades lights, signs, and supports shall meet NCHRP 350 crash evaluation criteria.
- ② The Detour Arrow sign shall be used only when a detour route has been signed.



TYPE III BARRICADE



INDIANA DEPARTMENT OF TRANSPORTATION	
TYPE III BARRICADE	
SEPTEMBER 2002	
STANDARD DRAWING NO. E 801-TCDV-04	
	/s/ Richard L. VanCleave 9-03-02 DESIGN STANDARDS ENGINEER DATE
DESIGN STANDARDS ENGINEER	/s/ Richard K. Smutzer 9-03-02 CHIEF HIGHWAY ENGINEER DATE