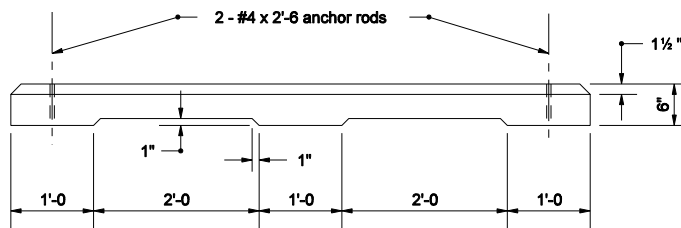
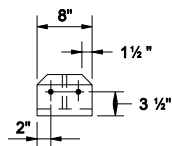


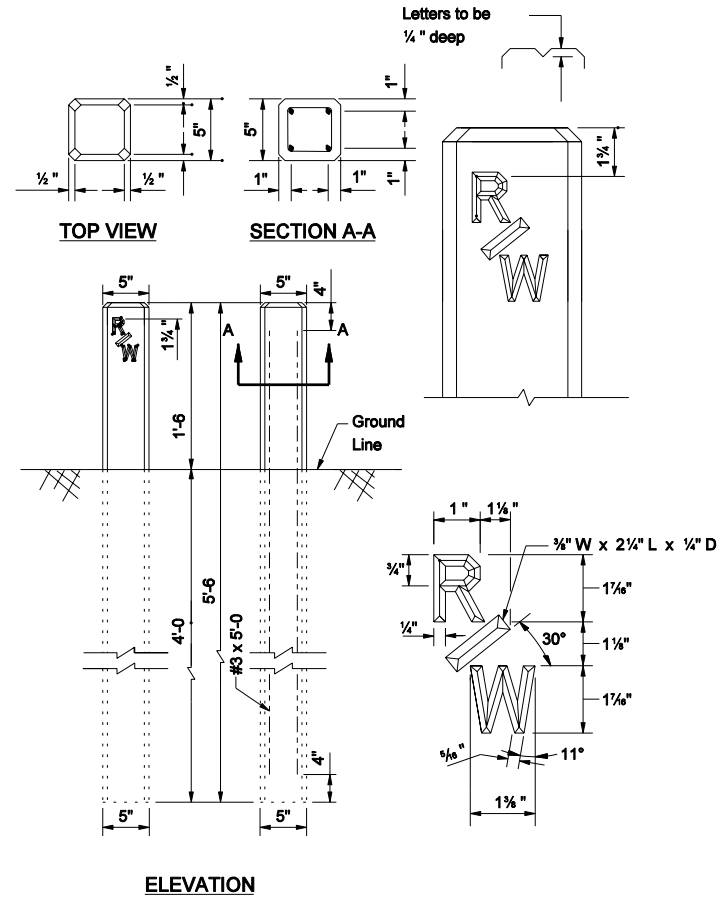
TOP VIEW



SIDE VIEW



END VIEW



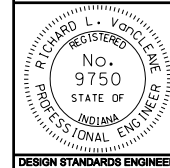
ELEVATION

INDIANA DEPARTMENT OF TRANSPORTATION

**RIGHT-OF-WAY MARKER AND
CONCRETE PARKING BARRIER**

MARCH 2004

STANDARD DRAWING NO. E 615-RWPB-01



/s/ Richard L. VanCleave X-0X-0X
DESIGN STANDARDS ENGINEER DATE

/s/ Richard K. Smutzer X-0X-0X
CHIEF HIGHWAY ENGINEER DATE

DESIGN STANDARDS ENGINEER