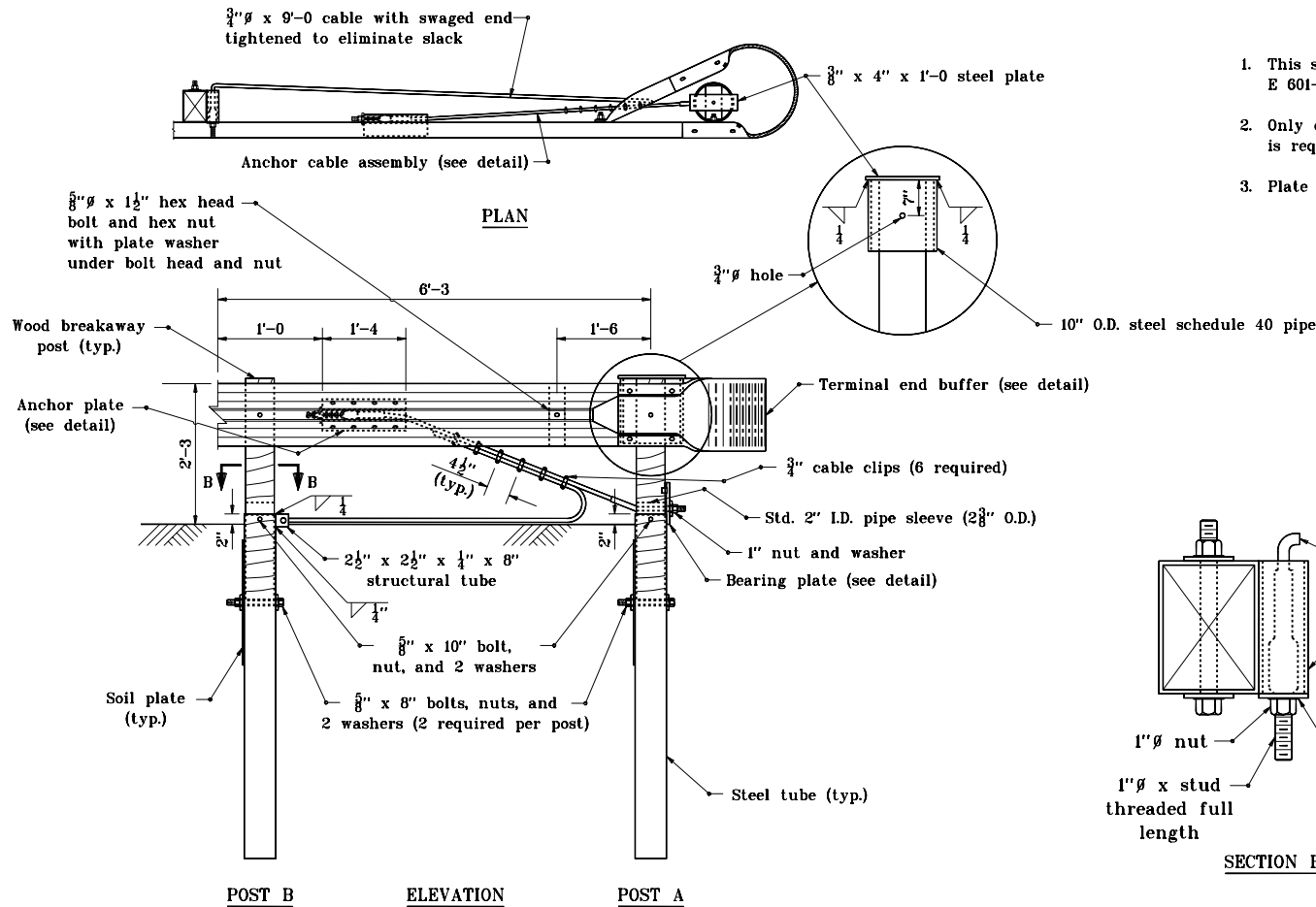
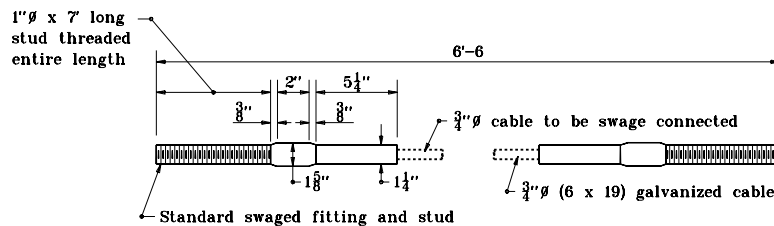


GENERAL NOTES

1. This sheet shall be used with Standard Drawings E 601-CWGS-01, 02, 03 and 06.
2. Only one $\frac{3}{8}$ " ϕ dia. x 10" bolt with nut and washer is required per steel tube and post.
3. Plate washers shall be used only where indicated.



TYPE 5 ANCHOR



ANCHOR CABLE ASSEMBLY

INDIANA DEPARTMENT OF TRANSPORTATION	
CURVED W-BEAM GUARDRAIL SYSTEM	
MARCH 2002	
STANDARD DRAWING NO. E 601-CWGS-04	
	/s/ Richard L. VanCleave 3-01-02 DESIGN STANDARDS ENGINEER DATE
	/s/ Richard K. Smutzer 3-01-02 CHIEF HIGHWAY ENGINEER DATE
DESIGN STANDARDS ENGINEER	