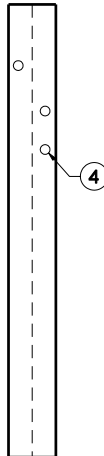
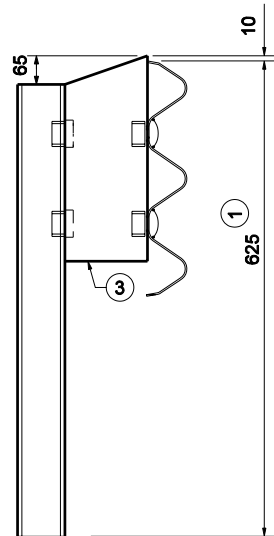


**FRONT VIEW**



**BACK VIEW**

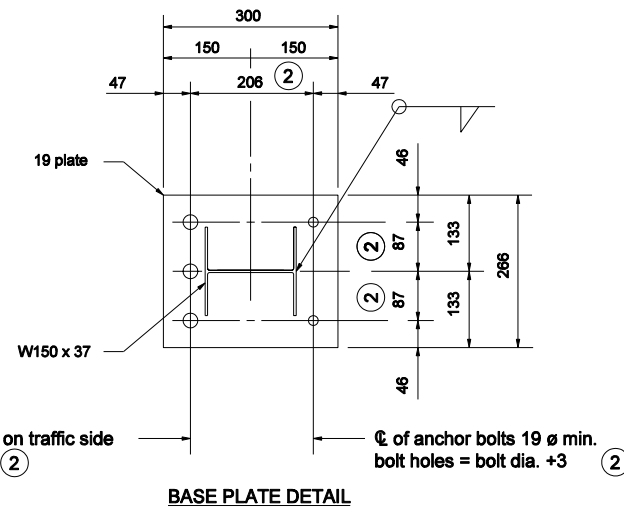


**SIDE VIEW**

**W 150 x 37 POST DETAILS FOR CURB MOUNTED POSTS**

**NOTE:**

- ① Adjust the post length for thrie beam height above the deck.
- ② Locations of bolt holes on base plate shall match locations of existing anchor bolts.
- ③ See Standrad Drawing 706-TBRF-02 for breakout details.
- ④ All holes drilled or punched to 19 dia.



☉ of anchor bolts 19 ø min. on traffic side  
bolt holes = bolt dia. +6 ②

☉ of anchor bolts 19 ø min.  
bolt holes = bolt dia. +3 ②

**BASE PLATE DETAIL**

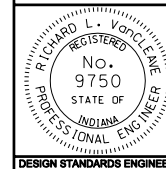
All dimension are in mm unless otherwise specified

INDIANA DEPARTMENT OF TRANSPORTATION

**RETROFIT THRIE BEAM BRIDGE  
RAILING TR COMPONENTS**

MARCH 2005

STANDARD DRAWING NO. 706-TBRC-03



/s/ Richard L. VanCleave 3-01-05  
DESIGN STANDARDS ENGINEER DATE

/s/ Richard K. Smutzer 3-01-05  
CHIEF HIGHWAY ENGINEER DATE

DESIGN STANDARDS ENGINEER