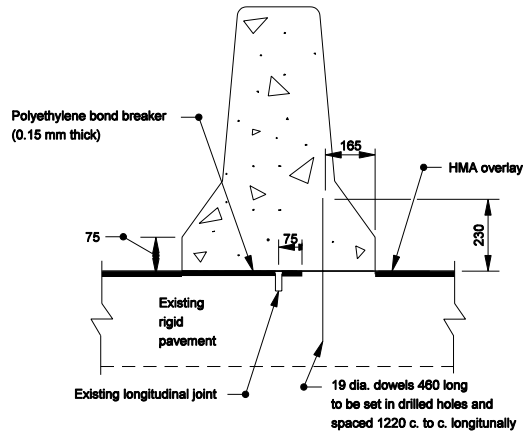
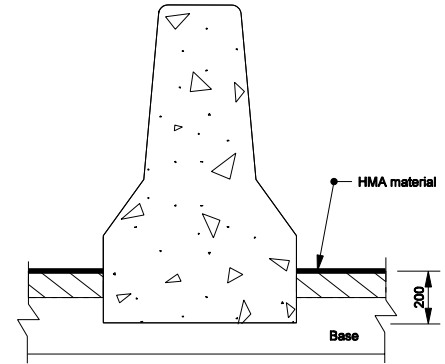


**NEW RIGID PAVEMENT**

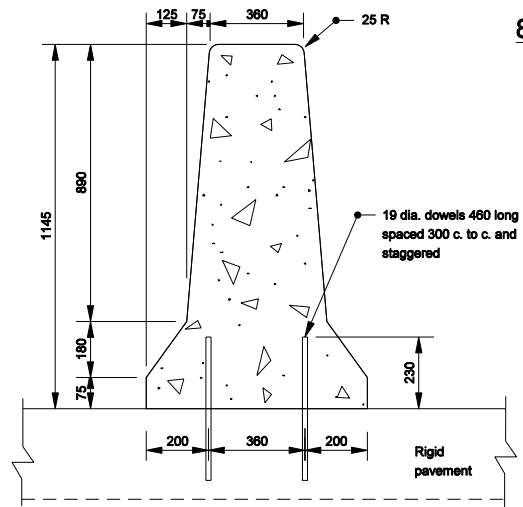


**NEW HMA OVERLAY OVER EXISTING RIGID PAVEMENT**



**NEW FLEXIBLE PAVEMENT**

**840 HEIGHT CONCRETE BARRIER WALL**



**CONCRETE BARRIER WITH RIGID PAVEMENT**

**1145 HEIGHT CONCRETE BARRIER WALL**

**NOTES:**

- ① 13 Preformed Joint Filler.

All Dimension are in mm unless otherwise specified

INDIANA DEPARTMENT OF TRANSPORTATION	
<b>CONCRETE BARRIER DETAILS</b>	
MARCH 2005	
STANDARD DRAWING NO. 602-CCMB-04	
	<i>/s/ Richard L. VanCleave</i> 3-01-05 DESIGN STANDARDS ENGINEER DATE
	<i>/s/ Richard K. Smutzer</i> 3-01-05 CHIEF HIGHWAY ENGINEER DATE
DESIGN STANDARDS ENGINEER	DESIGN STANDARDS ENGINEER