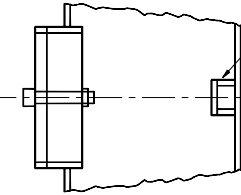
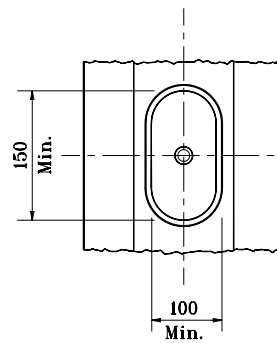


NOTE: Slot inside face of arm for galvanized drainage (steel structures only)

(Connection clamp)

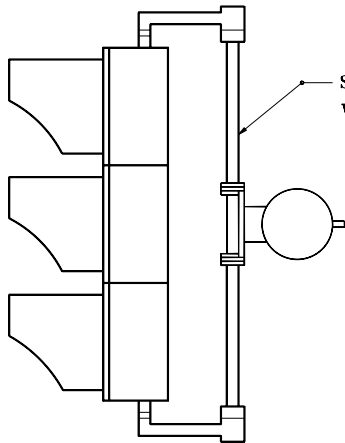
DETAIL A



M12 nut for grounding lug

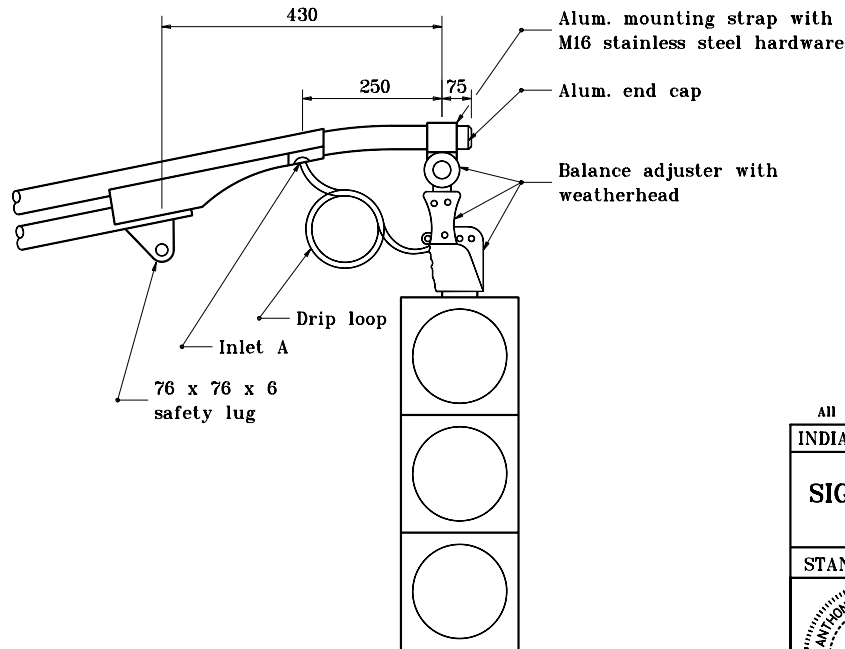
NOTE: For combination signal luminaire pole, handhole shall be 200 min. x 150 min. Inside dimensions
(Handhole and grounding lug)

DETAIL B



(Signal Head Mounting Assembly - Typ.)

DETAIL C



DETAIL D

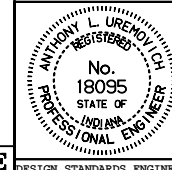
All dimensions are in mm unless otherwise specified.

INDIANA DEPARTMENT OF TRANSPORTATION

SIGNAL CANTILEVER DETAILS

MAY 1998

STANDARD DRAWING NO. 805-SGMA-04



/s/ Anthony L. Uremovich 5-01-98
DESIGN STANDARDS ENGINEER DATE

/s/ Donald W. Lucas 5-01-98
CHIEF HIGHWAY ENGINEER DATE

Source Sheet: NONE