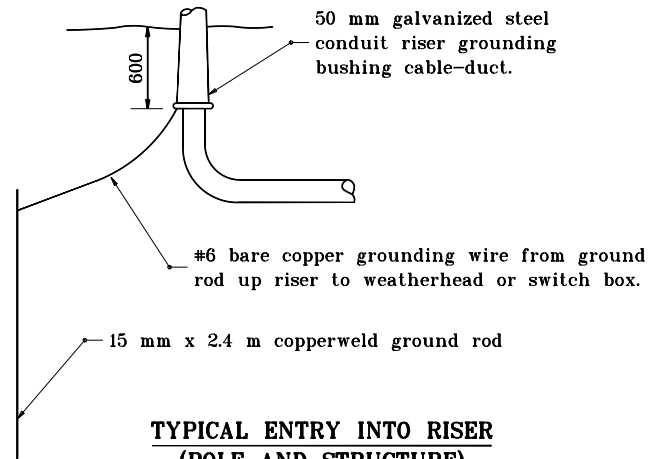
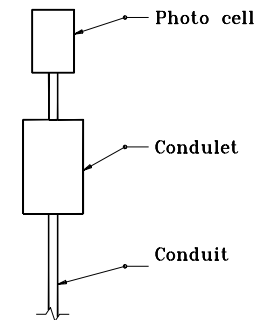


**SERVICE POINT
TYPE I**



**TYPICAL ENTRY INTO RISER
(POLE AND STRUCTURE)**

DETAIL B



DETAIL C

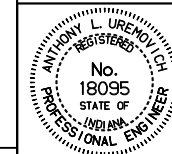
All dimensions are in mm unless otherwise specified.

INDIANA DEPARTMENT OF TRANSPORTATION

LIGHT SERVICE POINT DETAILS

MARCH 1995

STANDARD DRAWING NO. 807-LTSP-01



/s/ Anthony L. Uremovich 3-01-95
DESIGN STANDARDS ENGINEER DATE

/s/ Donald W. Lucas 3-01-95
CHIEF HIGHWAY ENGINEER DATE

Source Sheet: **MT6B**

DESIGN STANDARDS ENGINEER