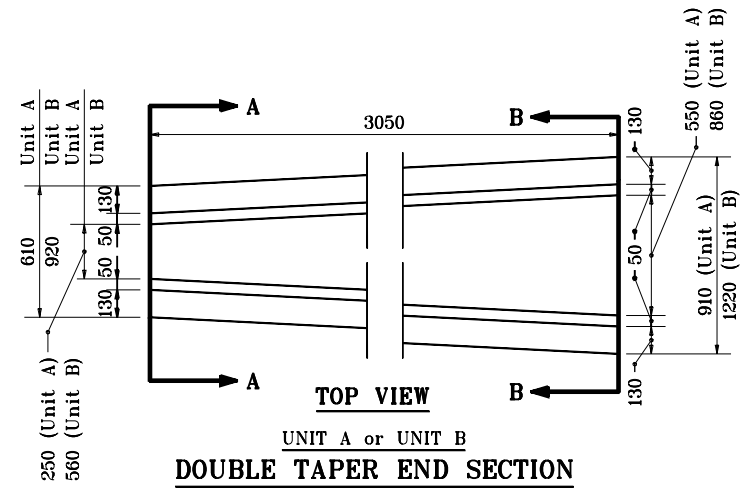


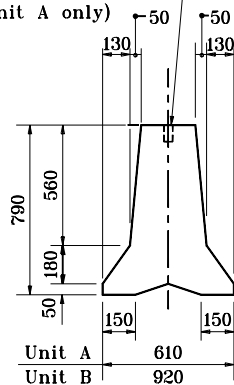
DOUBLE TAPER END SECTION ASSEMBLY

(Showing location of inserts and bar hooks)



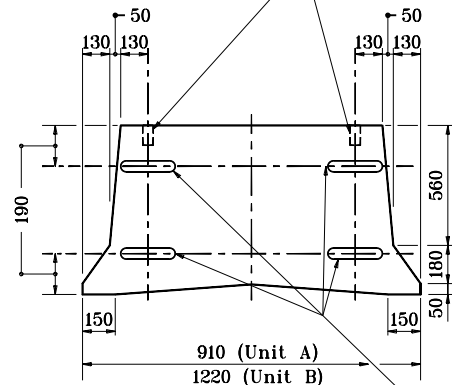
**UNIT A or UNIT B
DOUBLE TAPER END SECTION**

19Ø threaded insert
(Shown for Unit A only)



SECTION A-A

19Ø threaded inserts



SECTION B-B

20 dia. smooth bar hooks
(Shown for Unit B only)

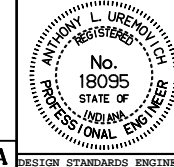
All dimensions are in mm unless otherwise specified.

INDIANA DEPARTMENT OF TRANSPORTATION

**TEMPORARY CONCRETE
BARRIER**

SEPTEMBER 1997

STANDARD DRAWING NO. **602-TCCB-03**



/s/ Anthony L. Uremovich 9-01-97
DESIGN STANDARDS ENGINEER DATE

/s/ Donald W. Lucas 9-01-97
CHIEF HIGHWAY ENGINEER DATE