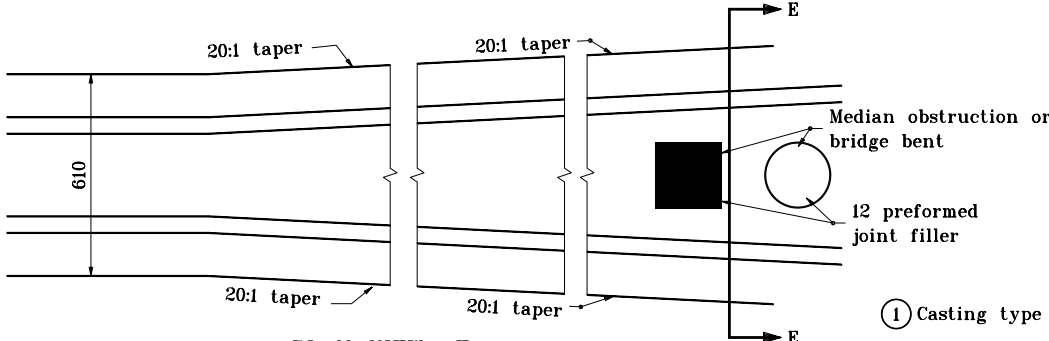
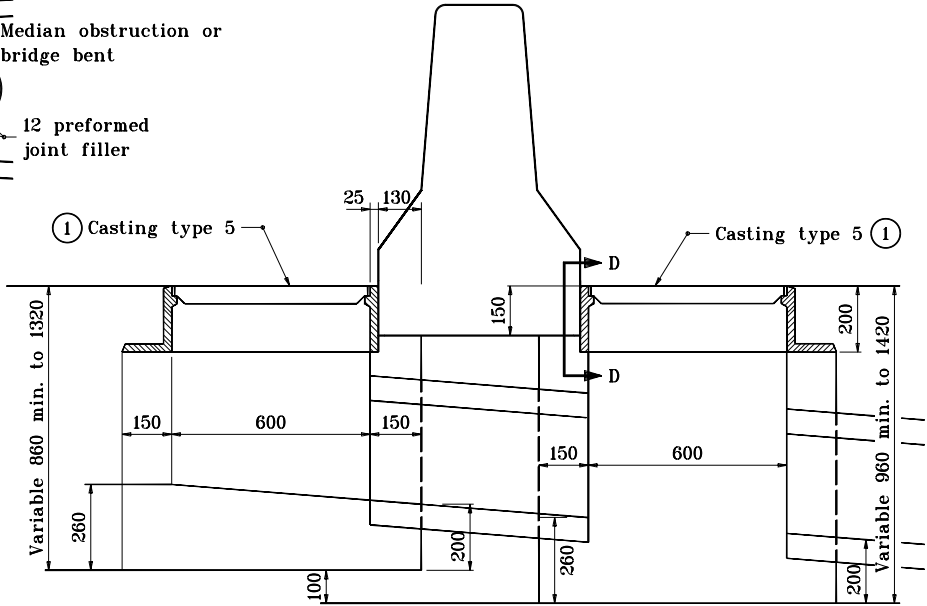


**GENERAL NOTES**

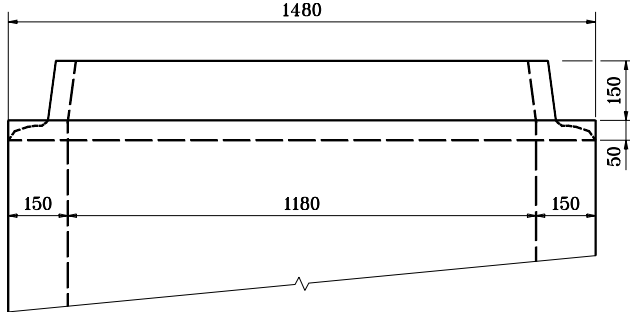
① See Standard Drawings 720-ICCA-01 through -03 for casting type 5 details.



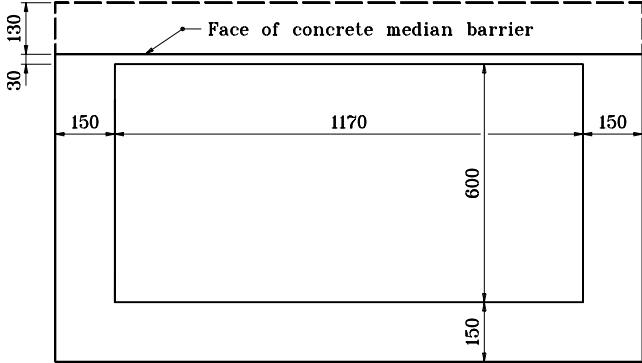
**PLAN VIEW AT MEDIAN OBSTRUCTION**



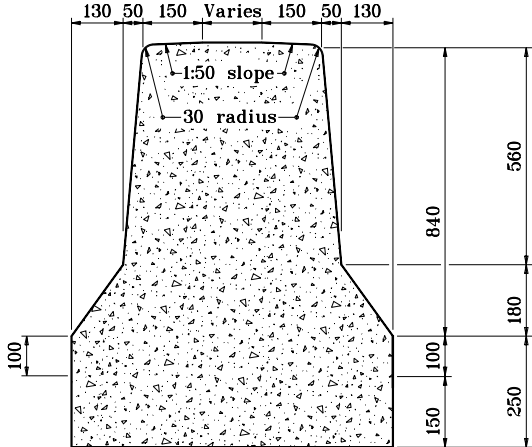
**SECTION C-C**



**SECTION D-D**



**TOP VIEW**



**SECTION E-E**

All dimensions are in mm unless otherwise specified.

INDIANA DEPARTMENT OF TRANSPORTATION

**CONCRETE MEDIAN BARRIER**

APRIL 1995

STANDARD DRAWING NO. **602-CCMB-04**



/s/ Anthony L. Uremovich 4-03-95  
DESIGN STANDARDS ENGINEER DATE

/s/ Donald W. Lucas 4-03-95  
CHIEF HIGHWAY ENGINEER DATE

Source Sheet: **CBI**

DESIGN STANDARDS ENGINEER