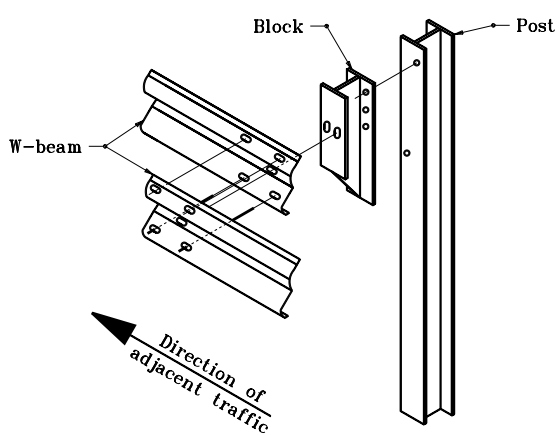
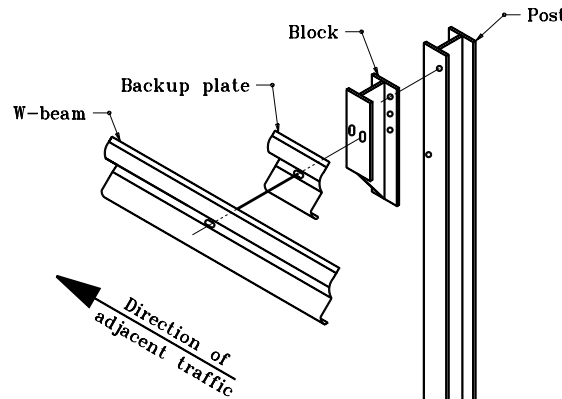


GENERAL NOTES

1. This sheet shall be used when W-beam guardrail is specified. This sheet shall also be used when a W-beam guardrail system requires the used of standard W-beam guardrail components.
2. The details on this sheet are for the assembly of W-beam guardrail components.



**W-BEAM SPLICE CONNECTION
DETAIL AT POST**



**W-BEAM SPLICE CONNECTION DETAIL
AT POST FOR NON-SPLICE CONNECTIONS**

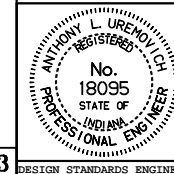
All dimensions are in mm unless otherwise specified.

INDIANA DEPARTMENT OF TRANSPORTATION

**W-BEAM
GUARDRAIL ASSEMBLIES**

APRIL 1995

STANDARD DRAWING NO. **601-WBGA-03**



/s/ Anthony L. Uremovich 4-03-95
DESIGN STANDARDS ENGINEER DATE

/s/ Donald W. Lucas 4-03-95
CHIEF HIGHWAY ENGINEER DATE