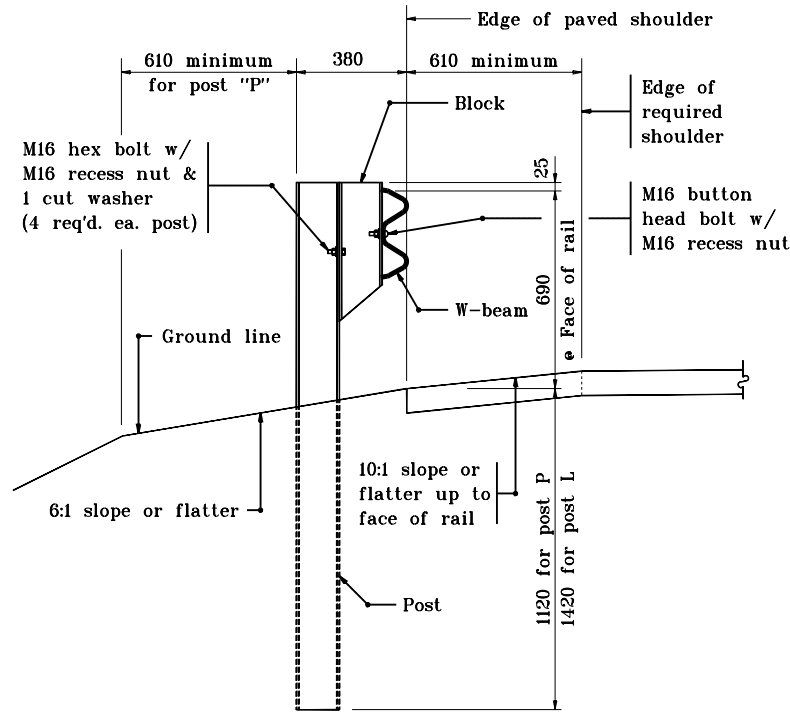
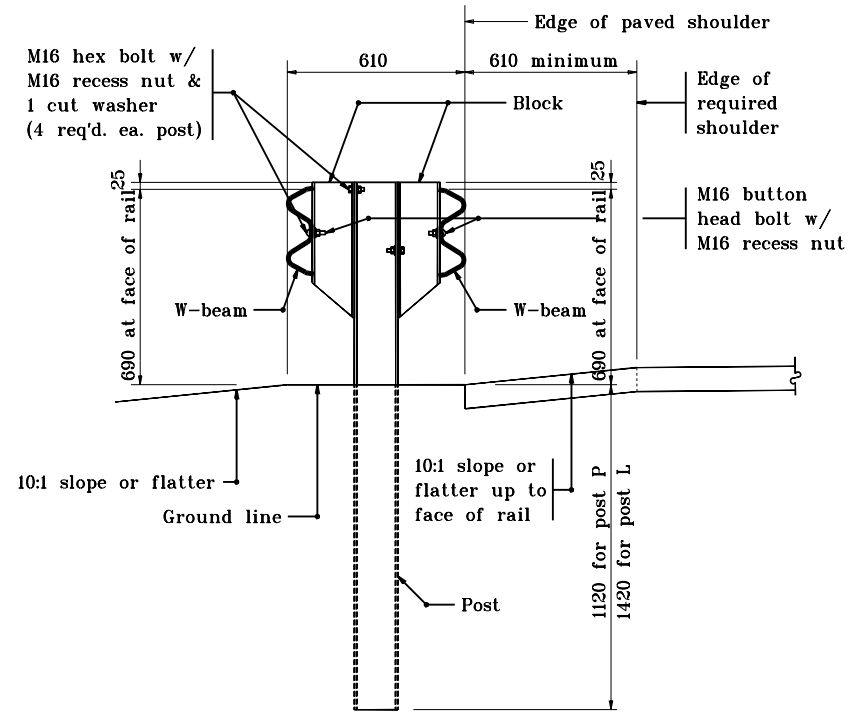


GENERAL NOTES

1. This sheet shall be used when W-beam guardrail is specified. This sheet shall also be used when a W-beam guardrail system requires the used of standard W-beam guardrail components.
2. The details on this sheet are for the assembly of W-beam guardrail components.



TYPICAL W-BEAM INSTALLATION



TYPICAL DOUBLE FACED W-BEAM INSTALLATION

All dimensions are in mm unless otherwise specified.

INDIANA DEPARTMENT OF TRANSPORTATION	
W-BEAM GUARDRAIL ASSEMBLIES	
JANUARY 1996	
STANDARD DRAWING NO. 601-WBGA-01	
	/s/ Anthony L. Uremovich 1-02-96 DESIGN STANDARDS ENGINEER DATE
	/s/ Donald W. Lucas 1-02-96 CHIEF HIGHWAY ENGINEER DATE