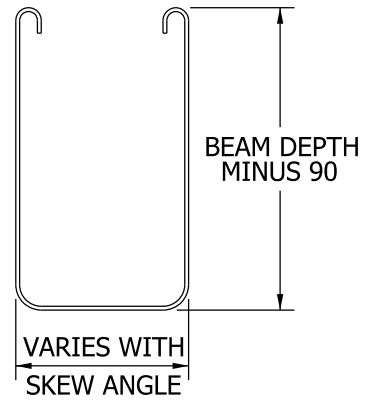
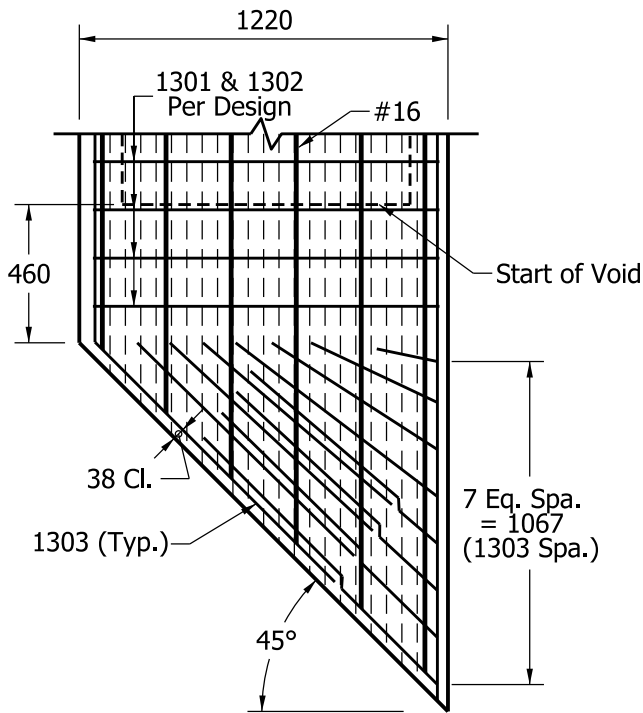


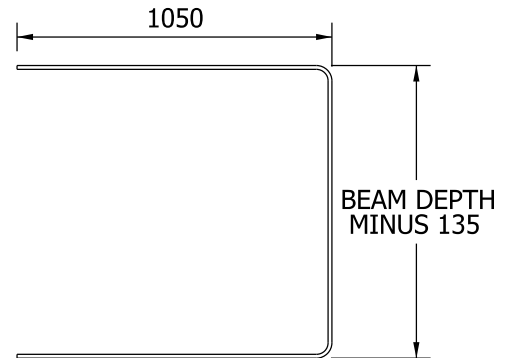
TYPICAL END REINFORCEMENT SECTION



1304 BAR



TYPICAL END REINFORCEMENT PLAN



1303 BAR

**MILD REINFORCEMENT FOR 1220-mm WIDTH
SKEWED-BEAM END (45-deg Skew Shown)**

Figure 63-16X