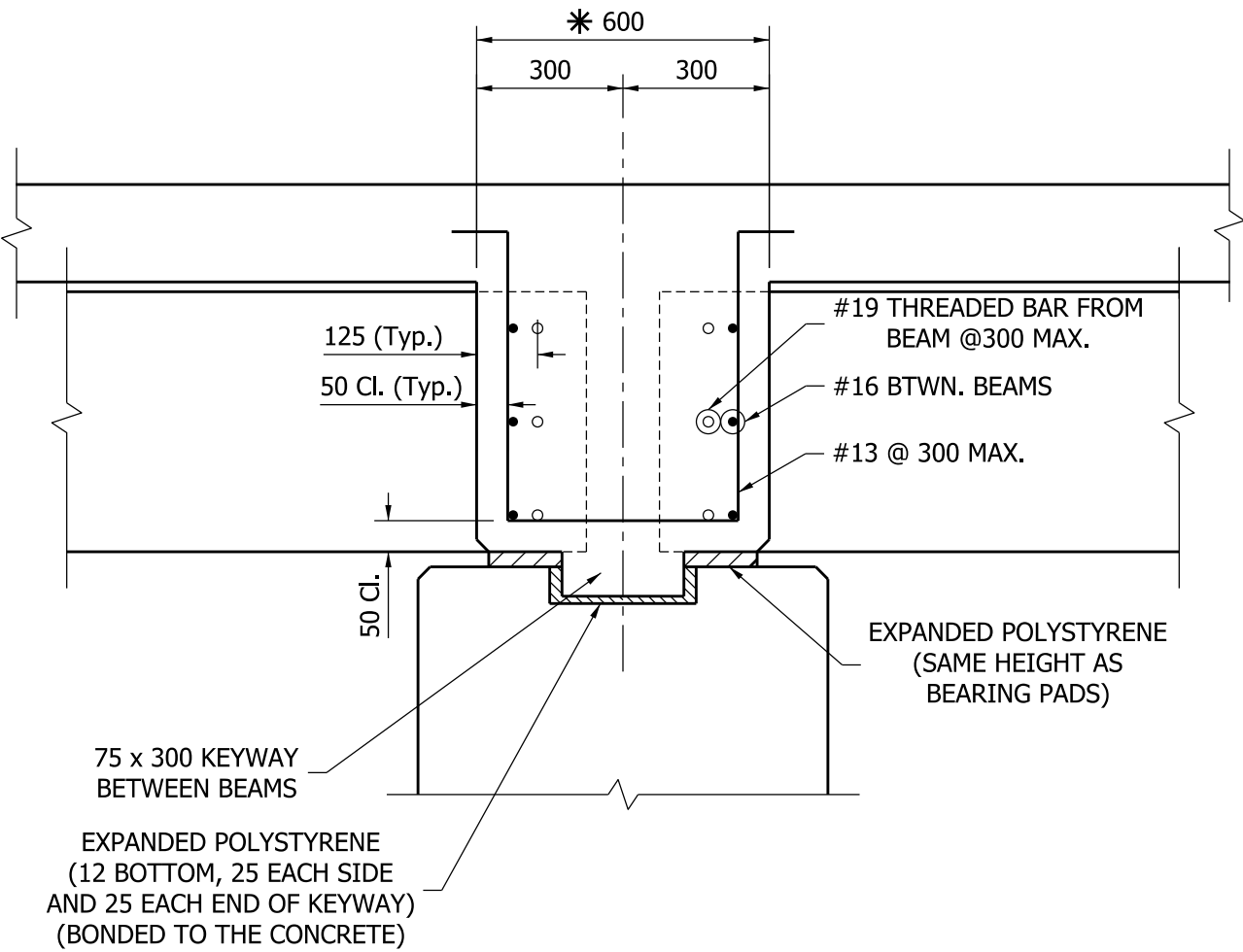


*THIS IS A MINIMUM DIMENSION.



**BOX BEAM PIER DIAPHRAGM FOR SPREAD BEAMS
SECTION BETWEEN BEAMS**

Figure 63-16 O