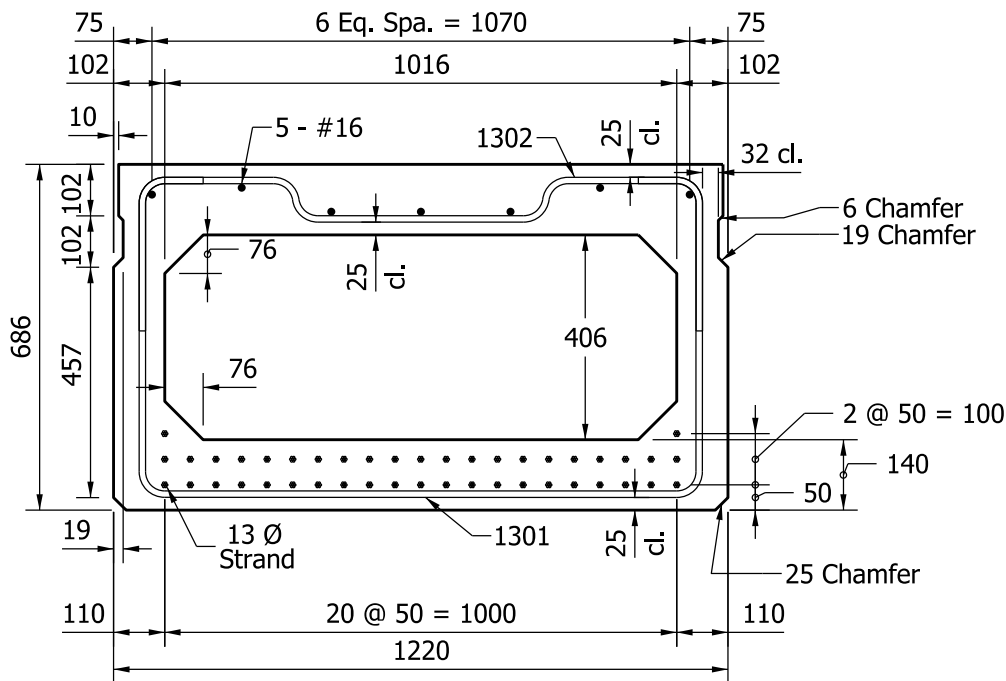
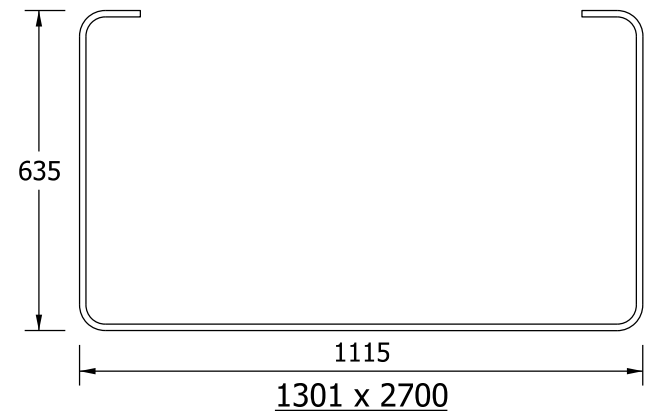
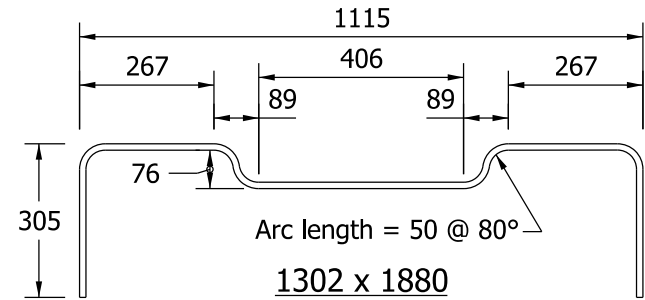


**BEAM PROPERTIES**

$A_B = 450,600 \text{ mm}^2$   
 $I_B = 27,461 \times 10^6 \text{ mm}^4$   
 $STB = 79,498 \times 10^3 \text{ mm}^3$   
 $SBB = 80,634 \times 10^3 \text{ mm}^3$   
 $Y_{TB} = 345.4 \text{ mm}$   
 $Y_{BB} = 340.6 \text{ mm}$   
 $Wt. = 10.63 \text{ kN/m}$



NOTE:  
1. ALL DIMENSIONS ARE IN MILLIMETERS.



**BOX BEAM  
TYPE WS 686 x 1220**

Figure 63-15P