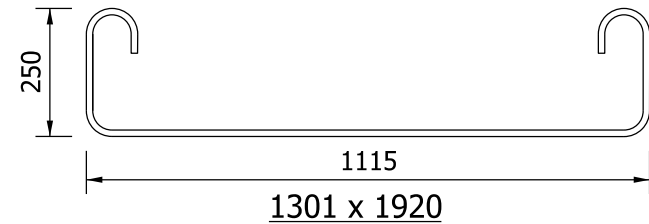
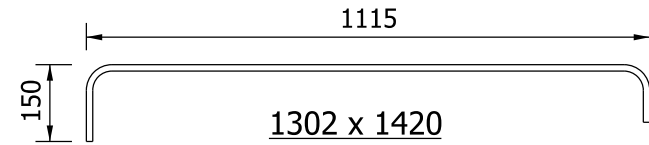
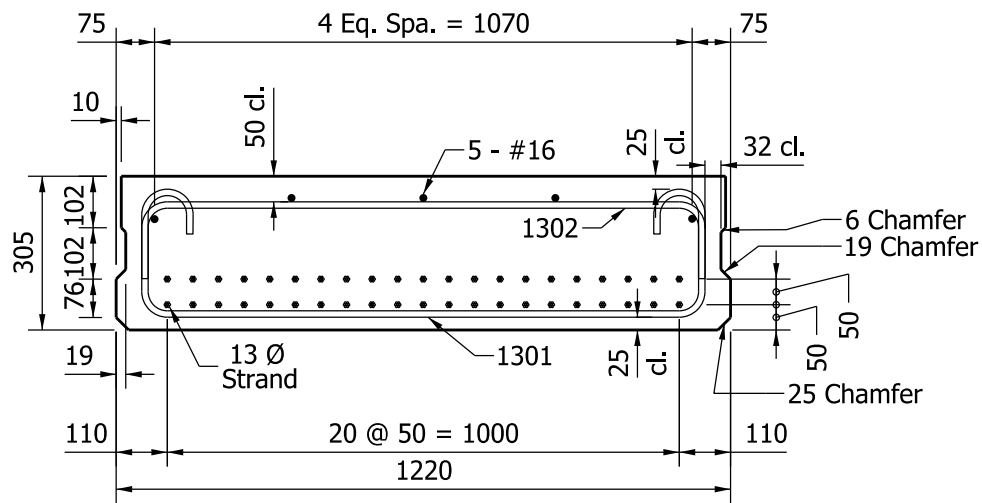


BEAM PROPERTIES

$A_B = 366,400 \text{ mm}^2$
 $I_B = 2,852 \times 10^6 \text{ mm}^4$
 $STB = 18,648 \times 10^3 \text{ mm}^3$
 $SBB = 18,753 \times 10^3 \text{ mm}^3$
 $Y_{TB} = 152.9 \text{ mm}$
 $Y_{BB} = 152.1 \text{ mm}$
 $Wt. = 8.65 \text{ kN/m}$

NOTE:
1. ALL DIMENSIONS ARE IN MILLIMETERS.



**BOX BEAM
TYPE WS 305 x 1220**

Figure 63-15M