
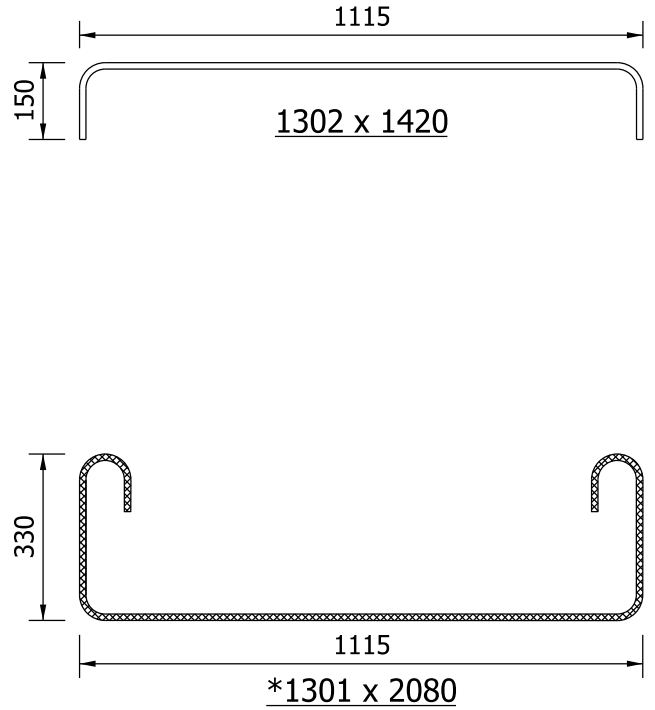
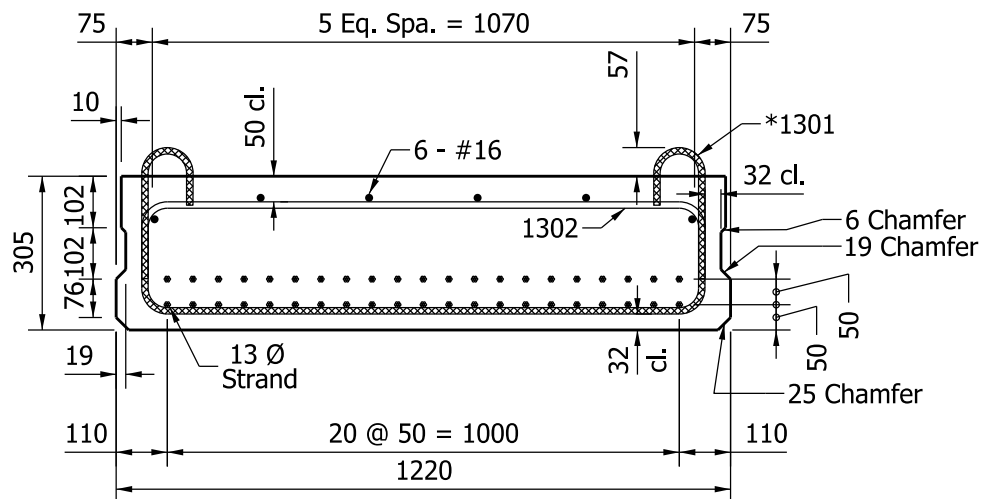


BEAM PROPERTIES	
$A_B$	= 366,300 mm <sup>2</sup>
$I_B$	= 2,848 x 10 <sup>6</sup> mm <sup>4</sup>
$S_{TB}$	= 18,630 x 10 <sup>3</sup> mm <sup>3</sup>
$S_{BB}$	= 18,719 x 10 <sup>3</sup> mm <sup>3</sup>
$Y_{TB}$	= 152.9 mm
$Y_{BB}$	= 152.1 mm
Wt.	= 8.63 kN/m

- NOTES:
1.  \*DENOTES EPOXY-COATED BAR
  2. ALL DIMENSIONS ARE IN MILLIMETERS.



BOX BEAM  
TYPE CB 305 x 1220

Figure 63-15G