
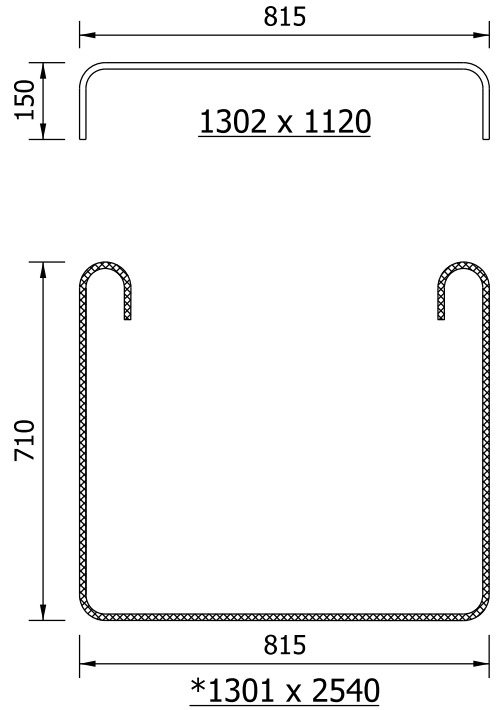
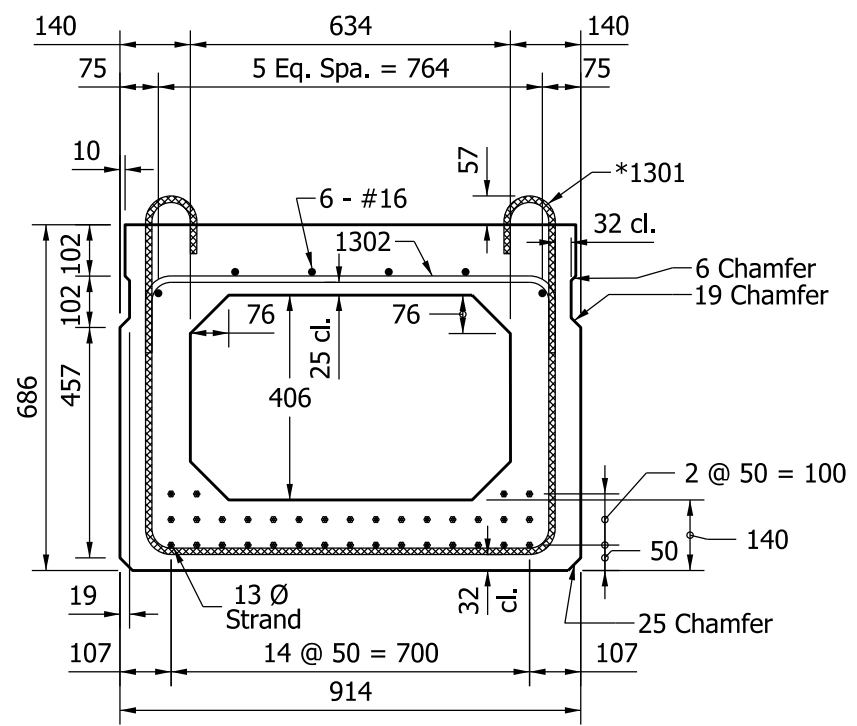


BEAM PROPERTIES	
A_B	$= 375,300 \text{ mm}^2$
I_B	$= 26,957 \times 10^6 \text{ mm}^4$
S_{TB}	$= 77,903 \times 10^3 \text{ mm}^3$
S_{BB}	$= 79,294 \times 10^3 \text{ mm}^3$
Y_{TB}	$= 346.0 \text{ mm}$
Y_{BB}	$= 340.0 \text{ mm}$
Wt.	$= 8.84 \text{ kN/m}$

- NOTES:
1.  *DENOTES EPOXY-COATED BAR
 2. ALL DIMENSIONS ARE IN MILLIMETERS.



BOX BEAM
TYPE CB 686 x 914

Figure 63-15D