
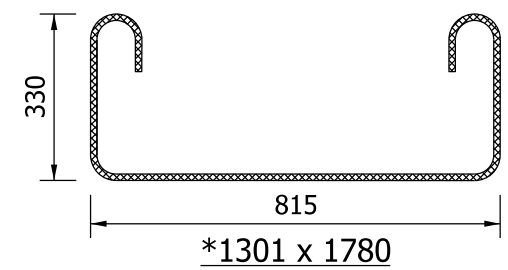
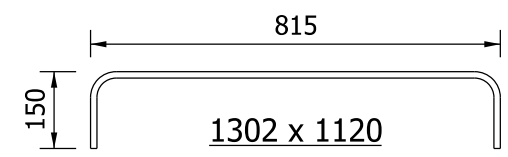
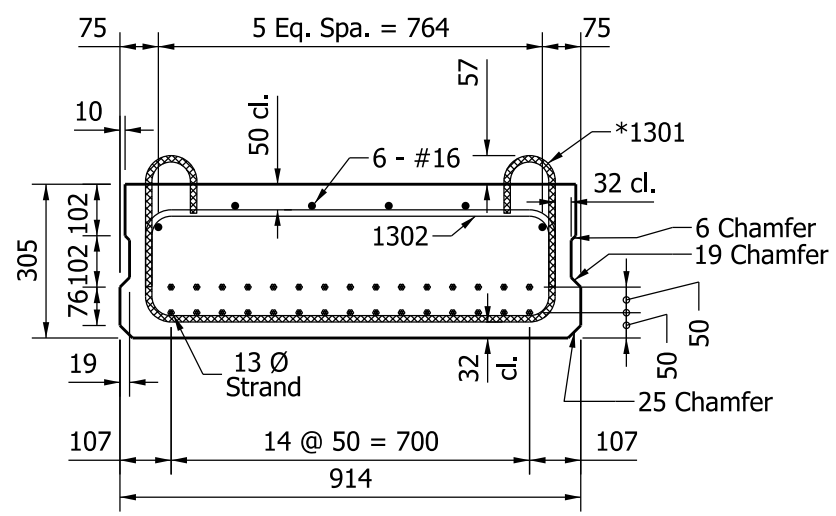


| BEAM PROPERTIES |                                     |
|-----------------|-------------------------------------|
| $A_B$           | $= 273,000 \text{ mm}^2$            |
| $I_B$           | $= 2,124 \times 10^6 \text{ mm}^4$  |
| $S_{TB}$        | $= 13,885 \times 10^3 \text{ mm}^3$ |
| $S_{BB}$        | $= 13,975 \times 10^3 \text{ mm}^3$ |
| $Y_{TB}$        | $= 153.0 \text{ mm}$                |
| $Y_{BB}$        | $= 152.0 \text{ mm}$                |
| Wt.             | $= 6.43 \text{ kN/m}$               |

NOTES:

1.  \*DENOTES EPOXY-COATED BAR
2. ALL DIMENSIONS ARE IN MILLIMETERS.



BOX BEAM  
TYPE CB 305 x 914

Figure 63-15A