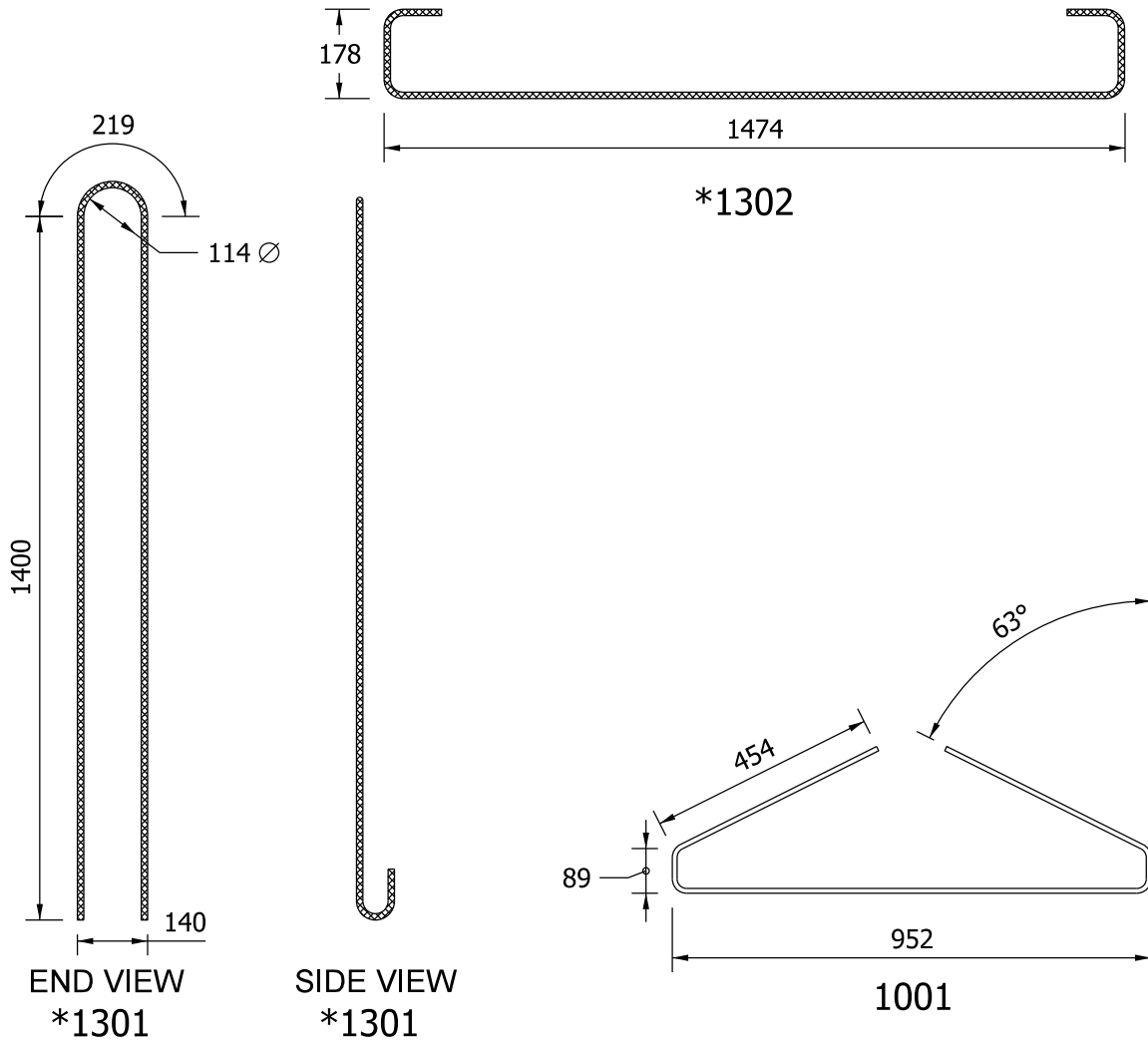
 * DENOTES EPOXY-COATED BARS
 ALL DIMENSIONS ARE IN MILLIMETERS.



**BULB - TEE BEAM
 TYPE BT 1372 x 1550
 BAR BENDING DETAILS**

Figure 63-14V(2)