

BEAM PROPERTIES

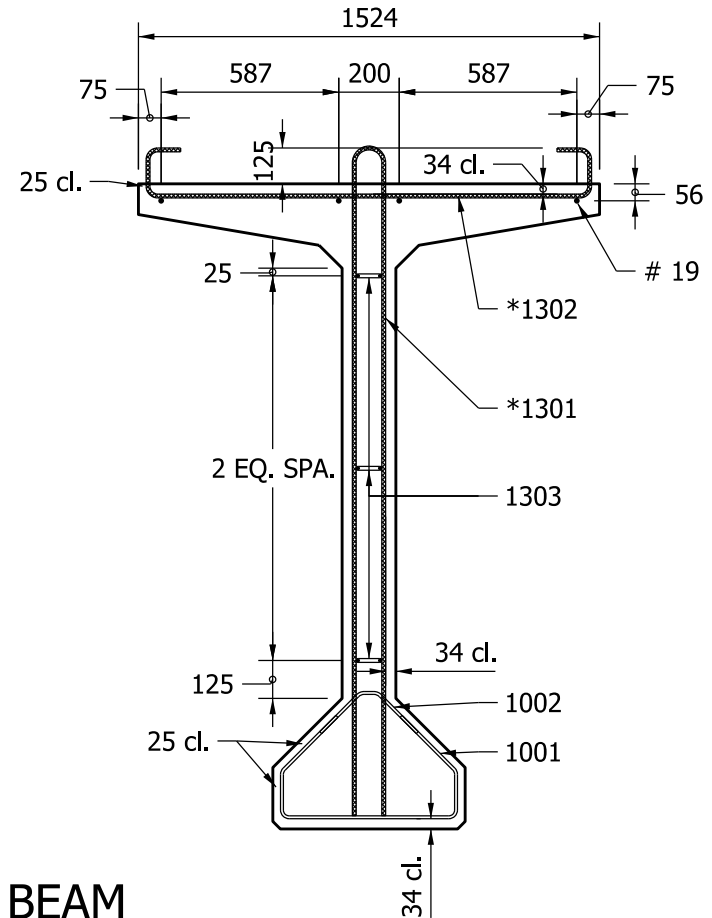
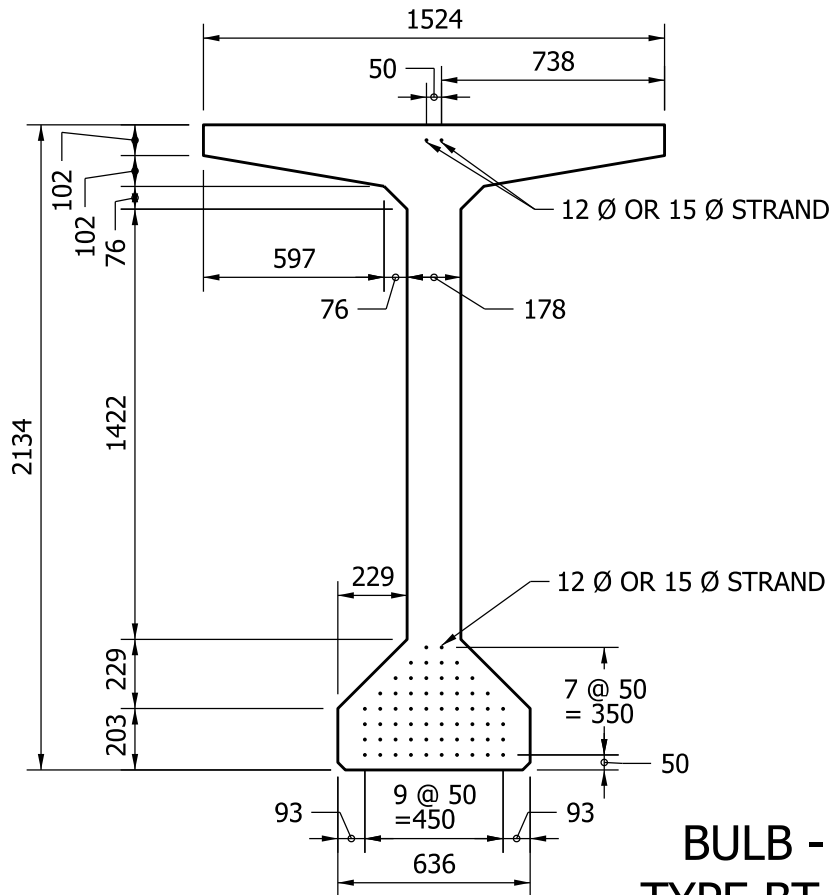
$A_B = 744,700 \text{ mm}^2$
 $I_B = 466,004 \times 10^6 \text{ mm}^4$
 $S_{TB} = 488,448 \times 10^3 \text{ mm}^3$
 $S_{BB} = 394,935 \times 10^3 \text{ mm}^3$
 $Y_{TB} = 954.1 \text{ mm}$
 $Y_{BB} = 1179.9 \text{ mm}$
 $Wt. = 17.58 \text{ kN/m}$

NOTES:

1. BARS 1401 AND 1402 COMBINED TO FORM ONE STIRRUP.

2.  *DENOTES EPOXY-COATED BARS

3. ALL DIMENSIONS ARE IN MILLIMETERS.



**BULB - TEE BEAM
TYPE BT 2134 x 1524**

Figure 63-14R(1)