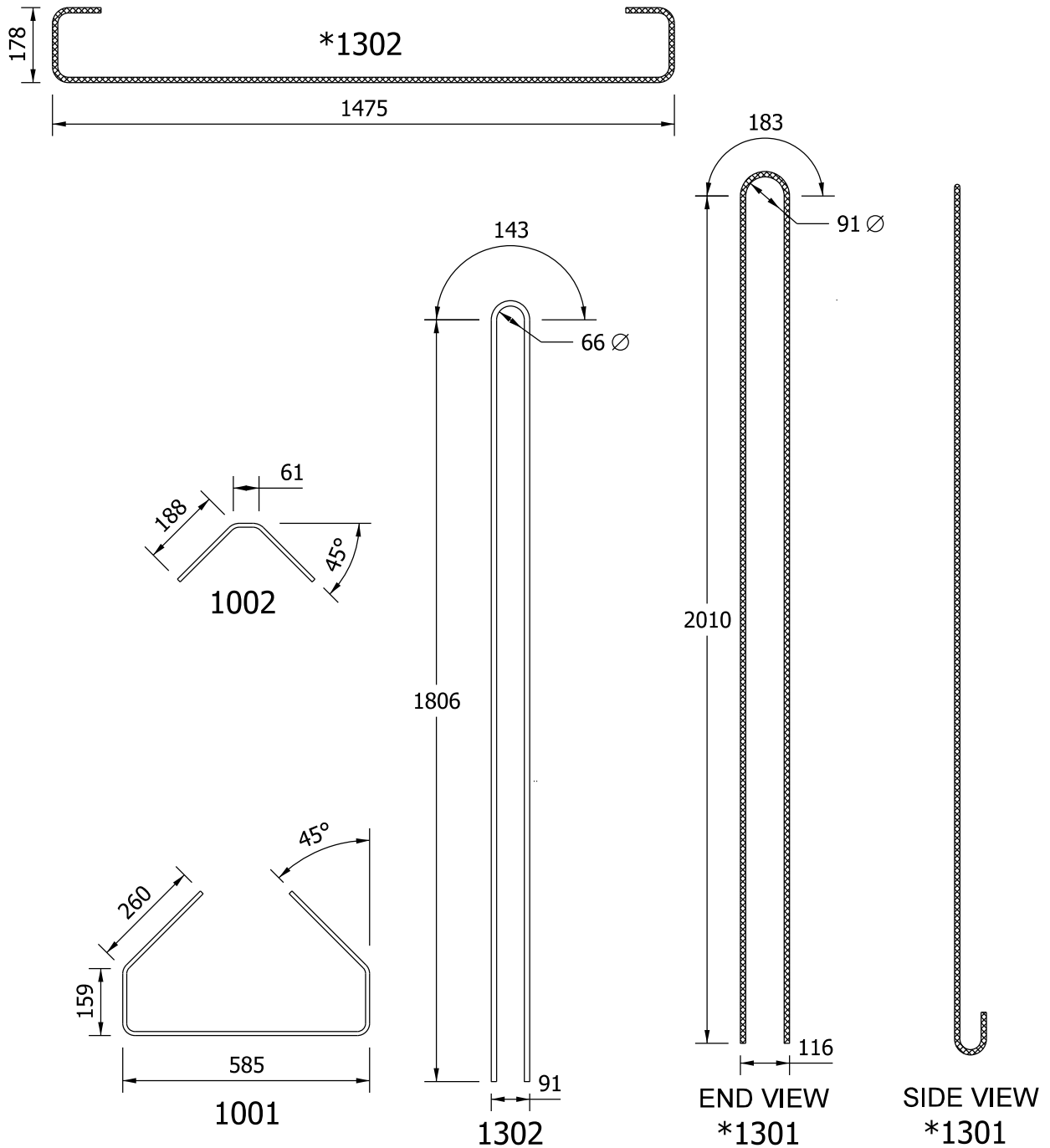


 \* DENOTES EPOXY-COATED BARS  
 ALL DIMENSIONS ARE IN MILLIMETERS.



**BULB - TEE BEAM**  
**TYPE BT 1981 x 1524**  
**BAR BENDING DETAILS**

Figure 63-14Q(2)