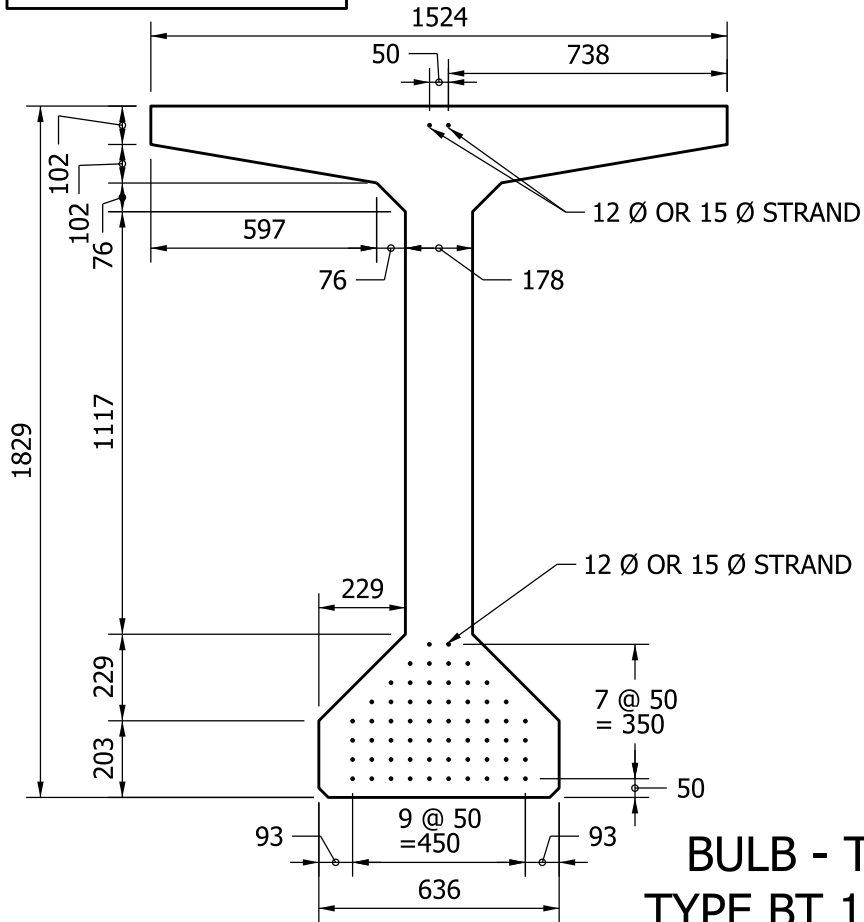


BEAM PROPERTIES

$A_B = 690,400 \text{ mm}^2$
 $I_B = 317,304 \times 10^6 \text{ mm}^4$
 $S_{TB} = 392,205 \times 10^3 \text{ mm}^3$
 $S_{BB} = 311,090 \times 10^3 \text{ mm}^3$
 $Y_{TB} = 809.0 \text{ mm}$
 $Y_{BB} = 1020.0 \text{ mm}$
 $Wt. = 16.29 \text{ kN/m}$



**BULB - TEE BEAM
TYPE BT 1829 x 1524**

NOTES:

1. BARS 1401 AND 1402 COMBINED TO FORM ONE STIRRUP.
2. *DENOTES EPOXY-COATED BARS
3. ALL DIMENSIONS ARE IN MILLIMETERS.

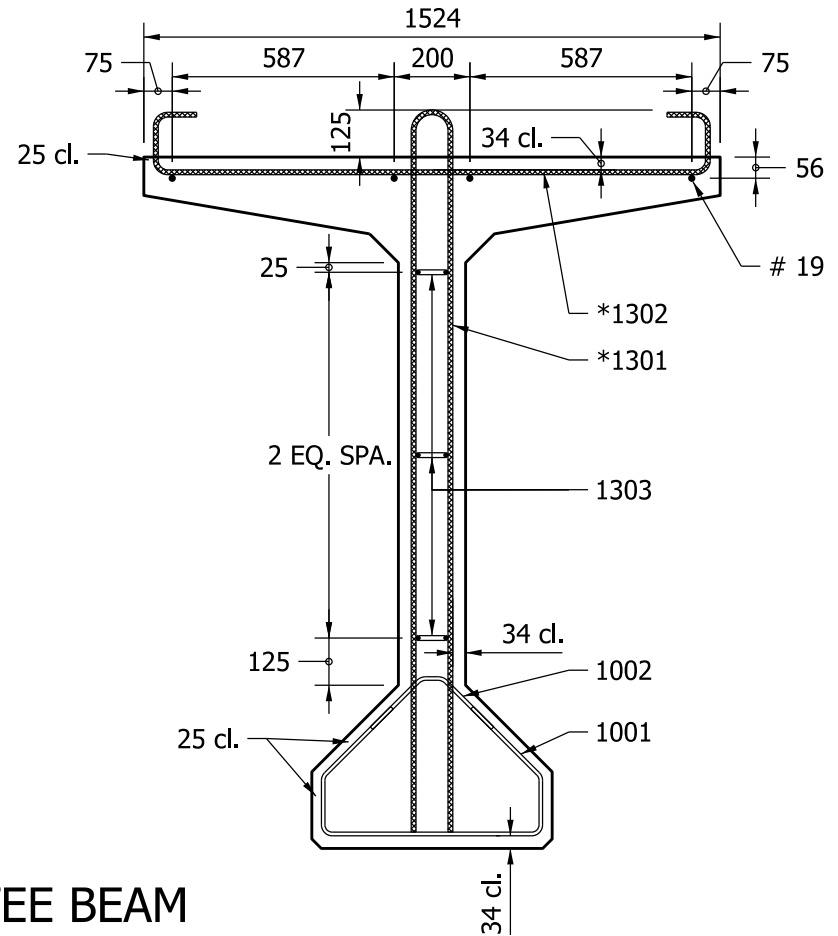


Figure 63-14P(1)