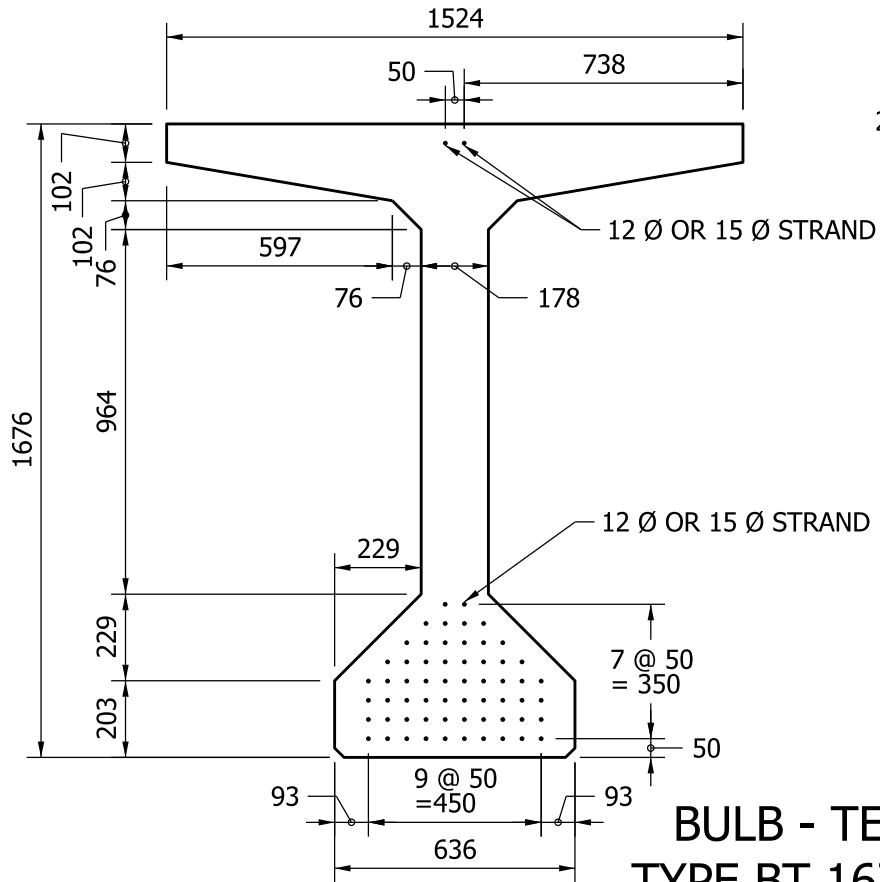


BEAM PROPERTIES

$A_B = 663,200 \text{ mm}^2$
 $I_B = 254,931 \times 10^6 \text{ mm}^4$
 $S_{TB} = 346,028 \times 10^3 \text{ mm}^3$
 $S_{BB} = 271,415 \times 10^3 \text{ mm}^3$
 $Y_{TB} = 736.7 \text{ mm}$
 $Y_{BB} = 939.3 \text{ mm}$
 $Wt. = 15.65 \text{ kN/m}$



**BULB - TEE BEAM
TYPE BT 1676 x 1524**

NOTES:

1. BARS 1401 AND 1402 COMBINED TO FORM ONE STIRRUP.

2. *DENOTES EPOXY-COATED BARS

3. ALL DIMENSIONS ARE IN MILLIMETERS.

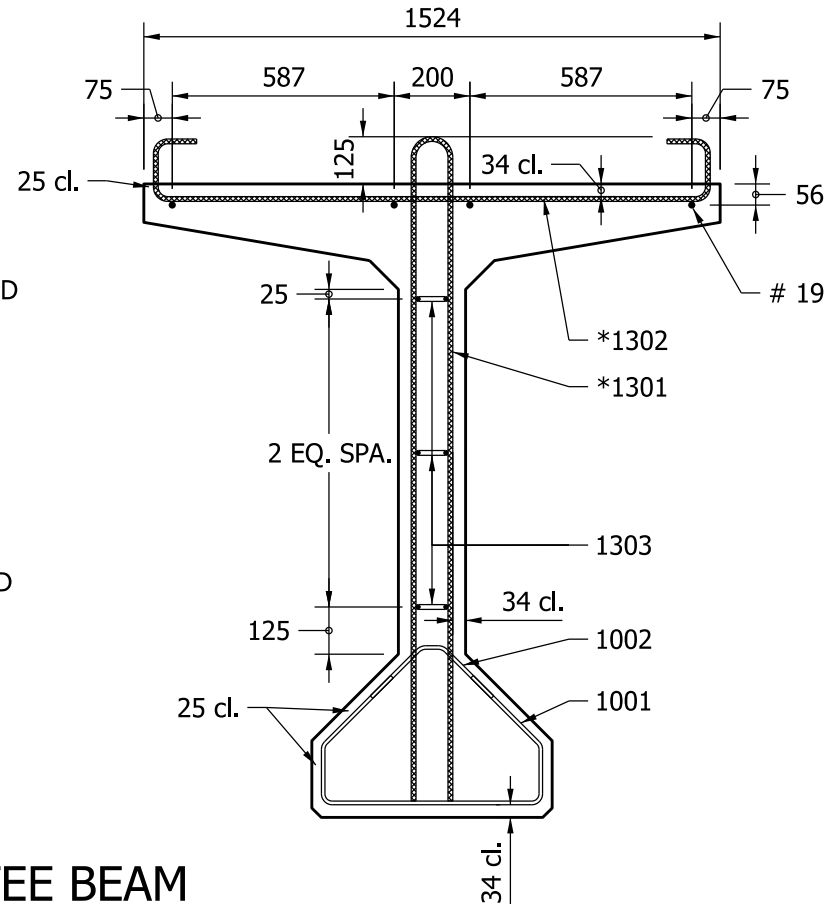


Figure 63-14 O(1)