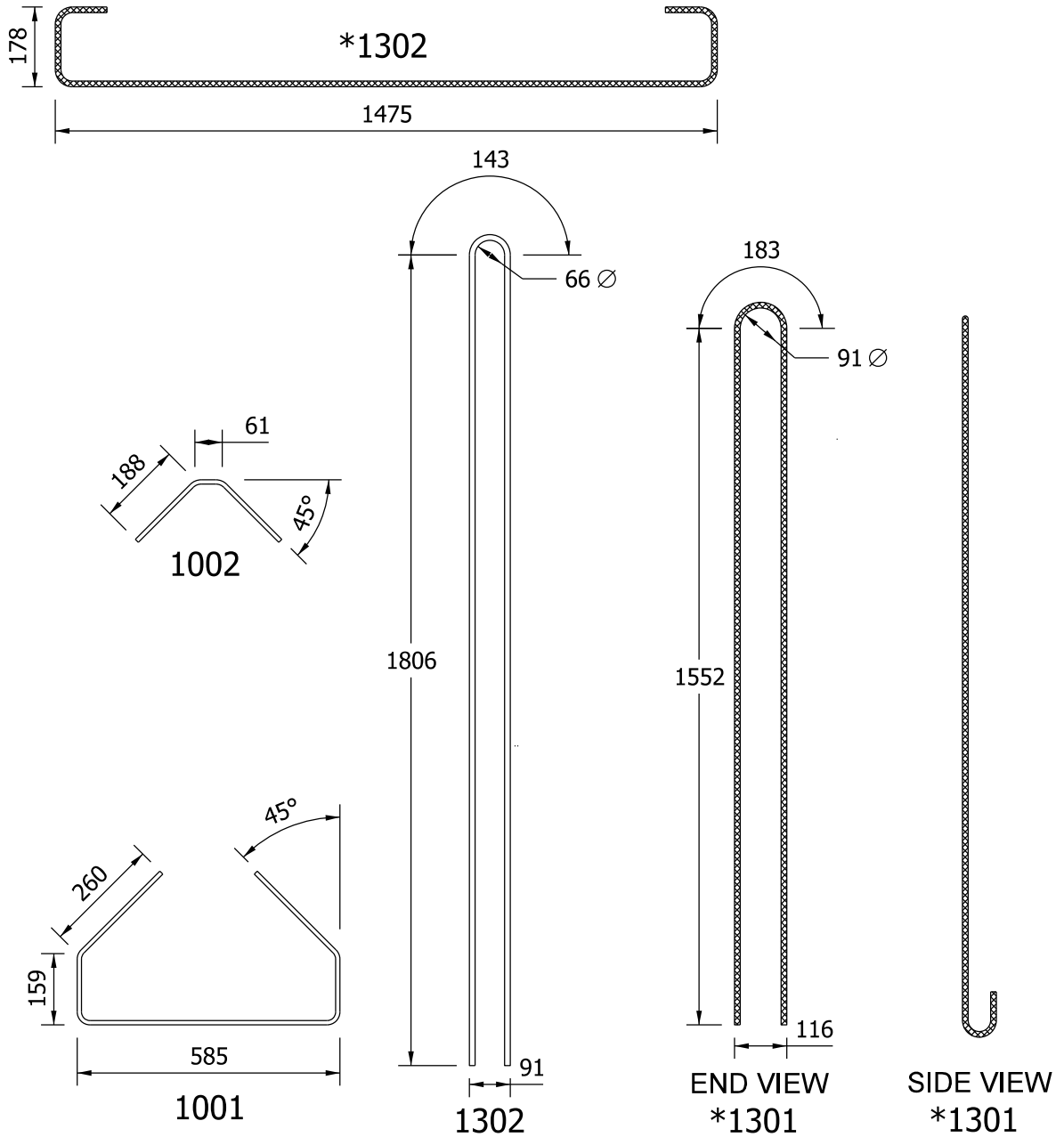


 * DENOTES EPOXY-COATED BARS
 ALL DIMENSIONS ARE IN MILLIMETERS.



**BULB - TEE BEAM
 TYPE BT 1524 x 1524
 BAR BENDING DETAILS**

Figure 63-14N(2)