

**BEAM PROPERTIES**

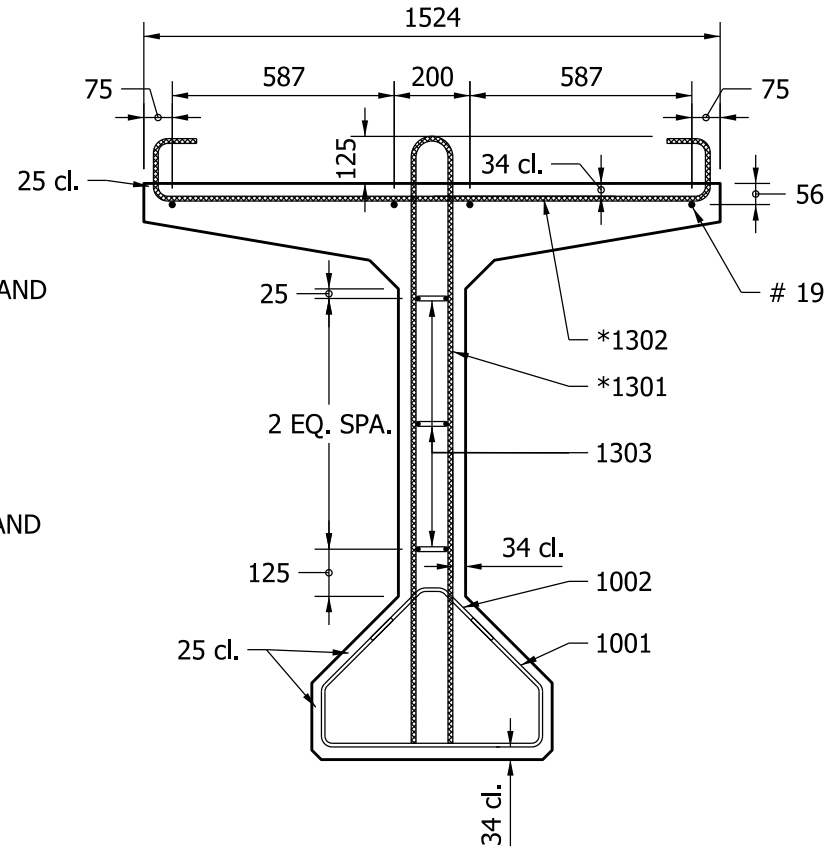
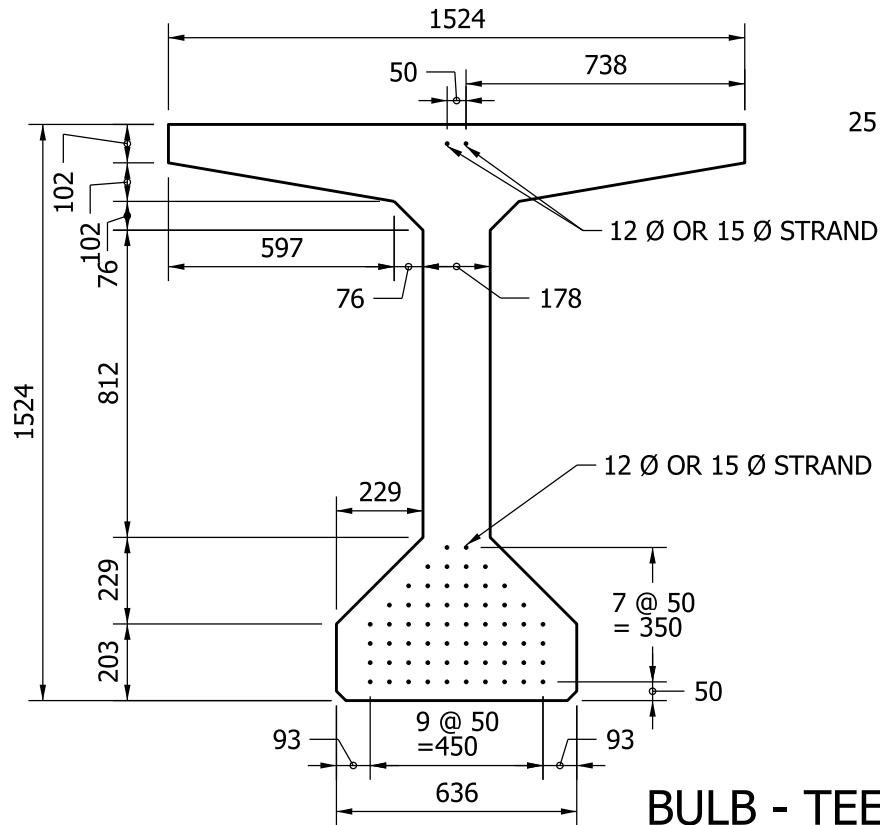
$A_B = 636,200 \text{ mm}^2$   
 $I_B = 200,628 \times 10^6 \text{ mm}^4$   
 $S_{TB} = 301,571 \times 10^3 \text{ mm}^3$   
 $S_{BB} = 233,634 \times 10^3 \text{ mm}^3$   
 $Y_{TB} = 665.3 \text{ mm}$   
 $Y_{BB} = 858.7 \text{ mm}$   
 $Wt. = 15.01 \text{ kN/m}$

**NOTES:**

1. BARS 1401 AND 1402 COMBINED TO FORM ONE STIRRUP.

2. \*DENOTES EPOXY-COATED BARS

3. ALL DIMENSIONS ARE IN MILLIMETERS.



**BULB - TEE BEAM  
TYPE BT 1524 x 1524**

**Figure 63-14N(1)**