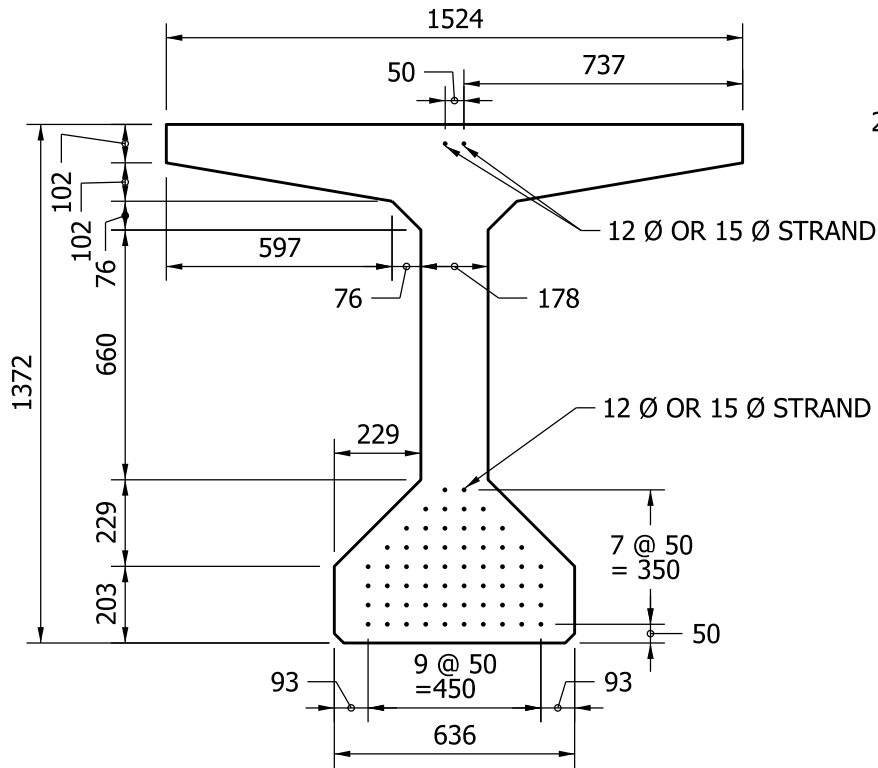


BEAM PROPERTIES

$A_B = 609,100 \text{ mm}^2$
 $I_B = 153,645 \times 10^6 \text{ mm}^4$
 $S_{TB} = 258,567 \times 10^3 \text{ mm}^3$
 $S_{BB} = 197,542 \times 10^3 \text{ mm}^3$
 $Y_{TB} = 594.2 \text{ mm}$
 $Y_{BB} = 777.8 \text{ mm}$
 $Wt. = 14.37 \text{ kN/m}$

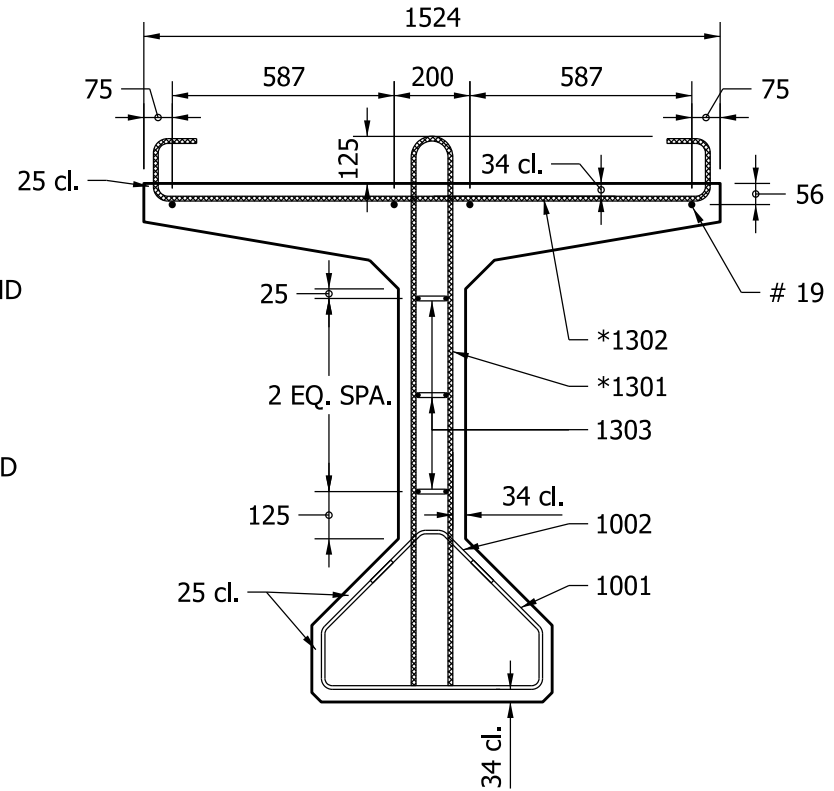


NOTES:

1. BARS 1401 AND 1402 COMBINED TO FORM ONE STIRRUP.

2. *DENOTES EPOXY-COATED BARS

3. ALL DIMENSIONS ARE IN MILLIMETERS.



**BULB - TEE BEAM
TYPE BT 1372 x 1524**

Figure 63-14M(1)