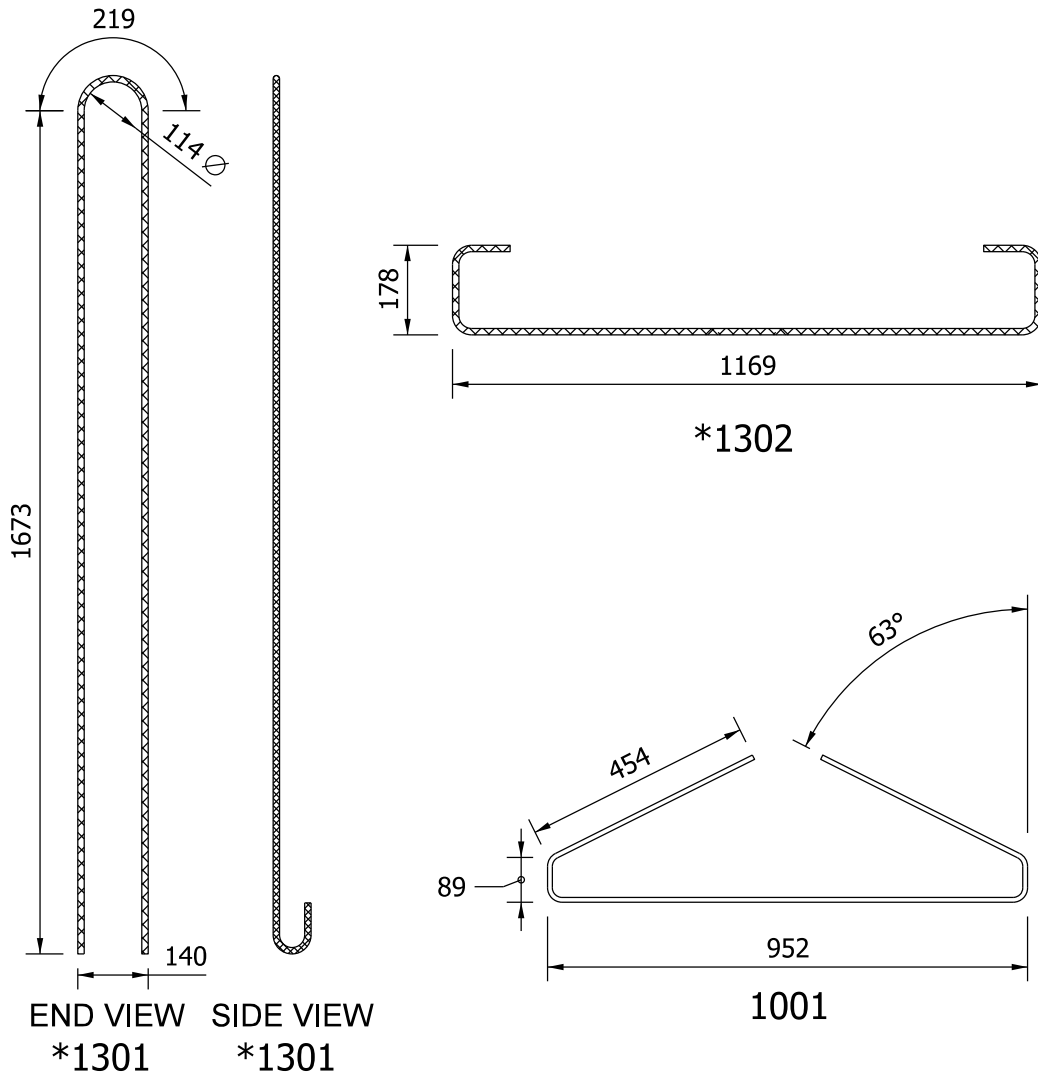


 \* DENOTES EPOXY-COATED BARS  
 ALL DIMENSIONS ARE IN MILLIMETERS.



**BULB - TEE BEAM  
 TYPE BT 1676 x 1245  
 BAR BENDING DETAILS**

Figure 63-14L(2)