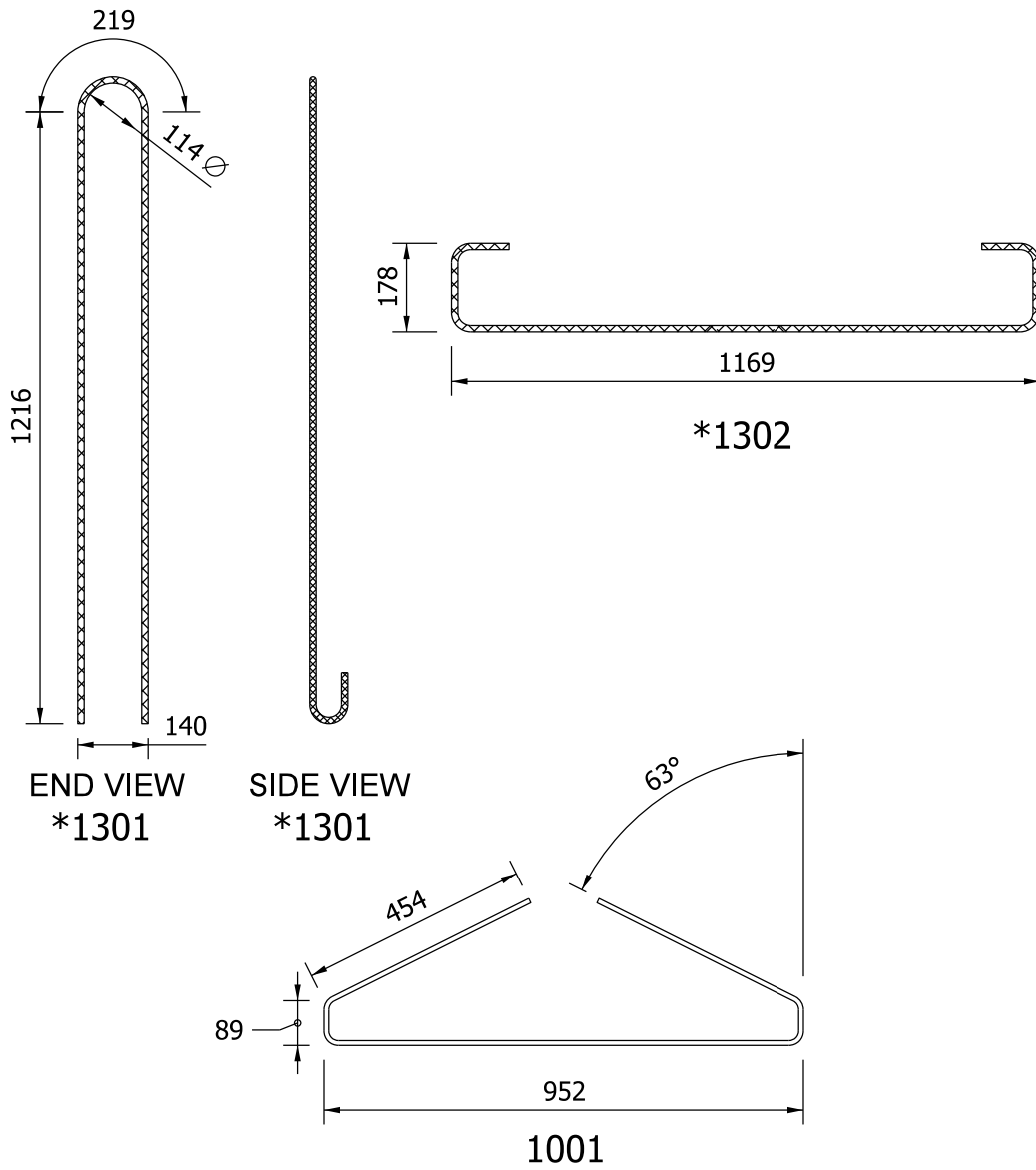


☒ \* DENOTES EPOXY-COATED BARS  
ALL DIMENSIONS ARE IN MILLIMETERS.



**BULB - TEE BEAM  
TYPE BT 1220 x 1245  
BAR BENDING DETAILS**

Figure 63-14I(2)