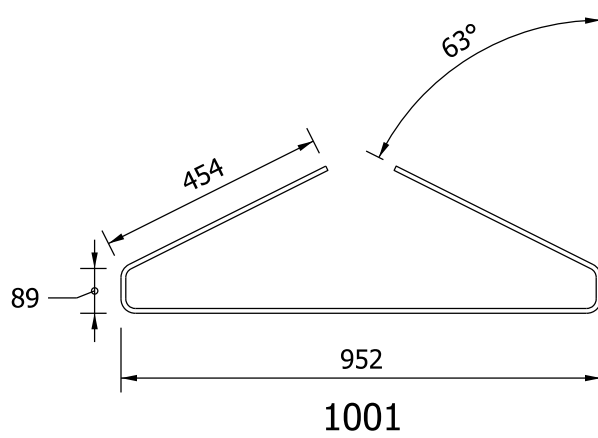
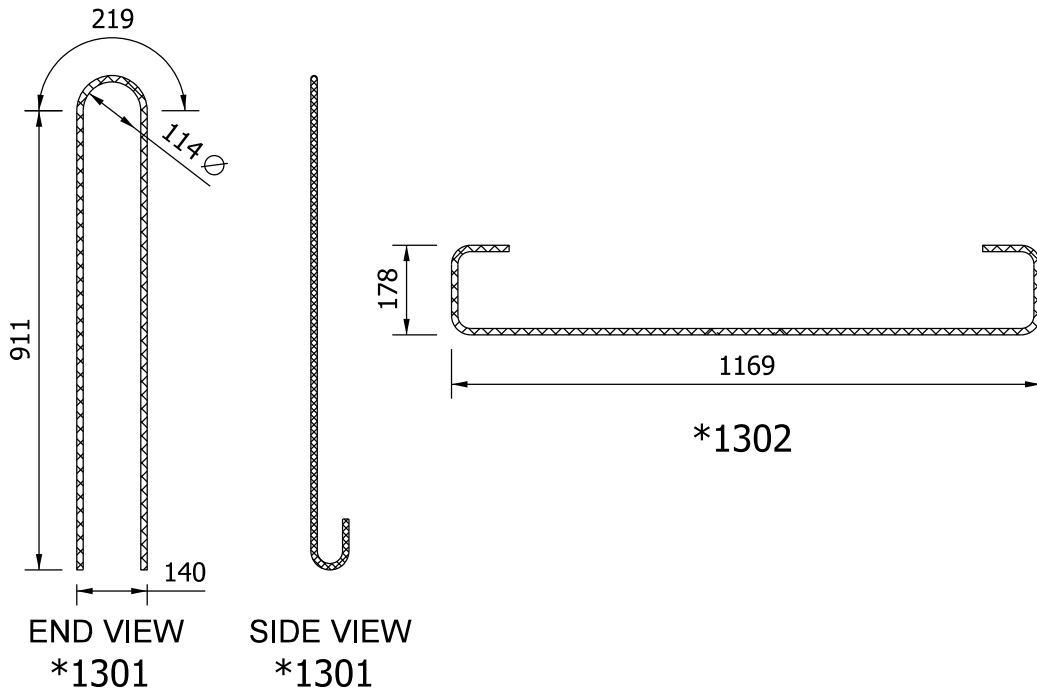


☒ * DENOTES EPOXY-COATED BARS
ALL DIMENSIONS ARE IN MILLIMETERS.



**BULB - TEE BEAM
TYPE BT 914 x 1245
BAR BENDING DETAILS**

Figure 63-14G(2)