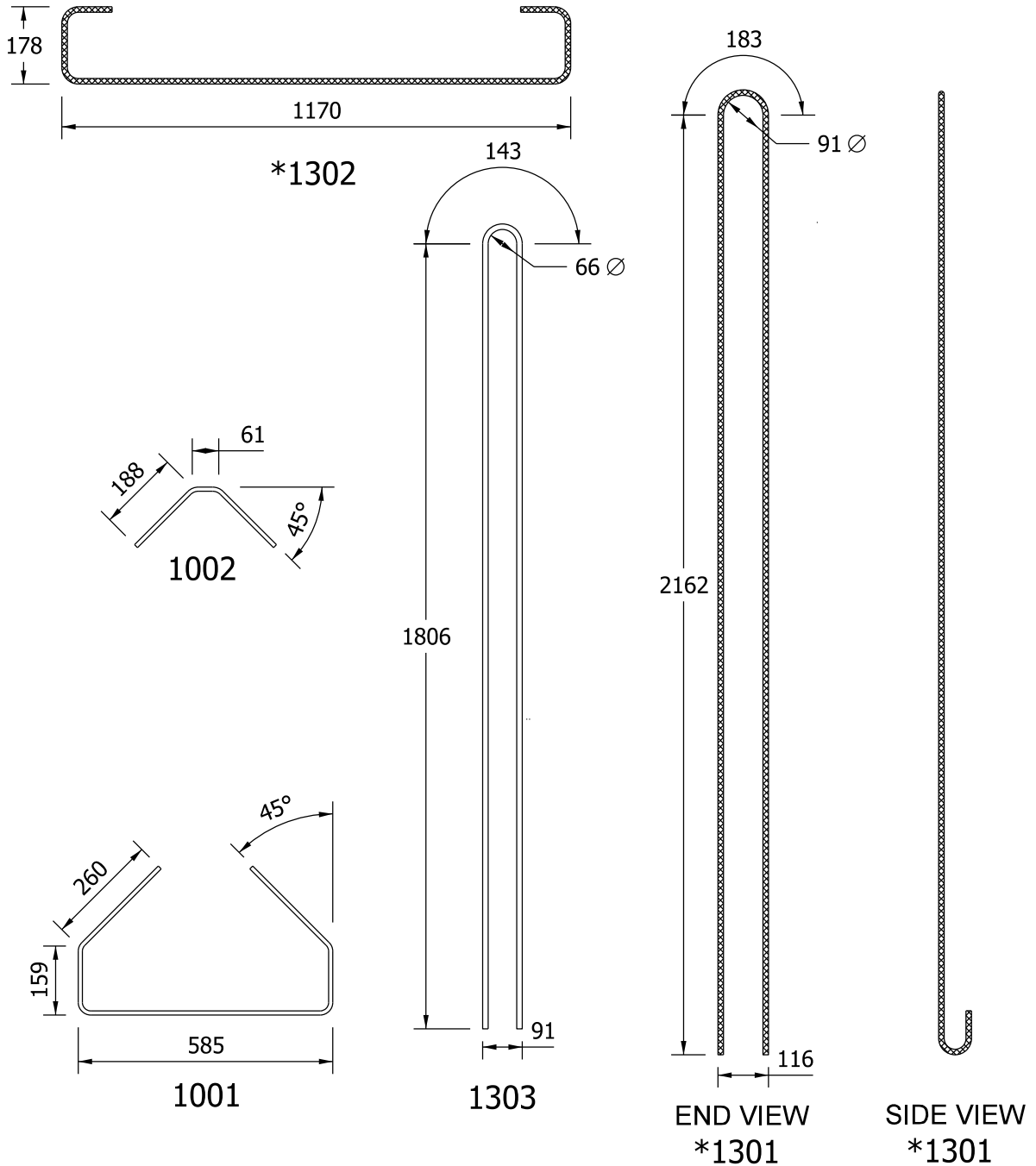
 \* DENOTES EPOXY-COATED BARS  
 ALL DIMENSIONS ARE IN MILLIMETERS.



**BULB - TEE BEAM  
 TYPE BT 2134 x 1220  
 BAR BENDING DETAILS**

Figure 63-14F(2)