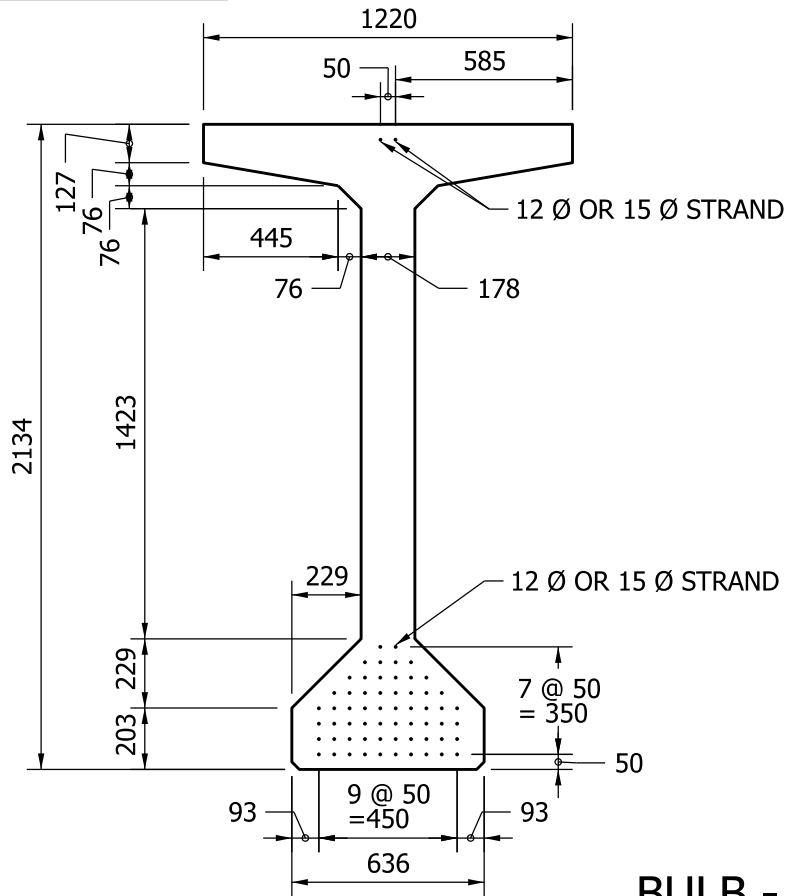


BEAM PROPERTIES	
A_B	$= 708,700 \text{ mm}^2$
I_B	$= 435,803 \times 10^6 \text{ mm}^4$
S_{TB}	$= 436,071 \times 10^3 \text{ mm}^3$
S_{BB}	$= 384,097 \times 10^3 \text{ mm}^3$
Y_{TB}	$= 999.4 \text{ mm}$
Y_{BB}	$= 1134.6 \text{ mm}$
Wt.	$= 16.73 \text{ kN/m}$

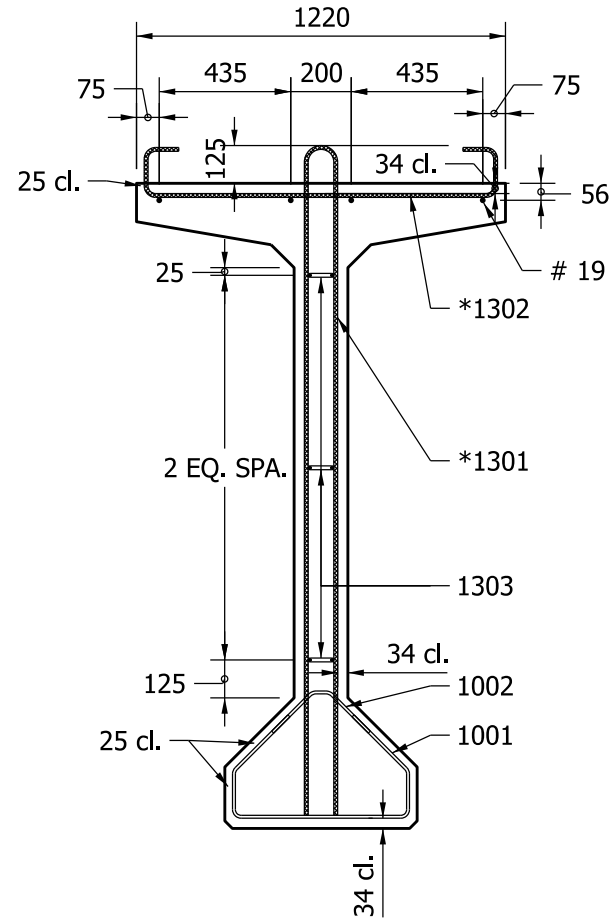


NOTES:

1. BARS 1001 AND 1002 COMBINED TO FORM ONE STIRRUP.

2. * DENOTES EPOXY-COATED BARS

3. ALL DIMENSIONS ARE IN MILLIMETERS.



BULB - TEE BEAM
TYPE BT 2134 x 1220

Figure 63-14F(1)