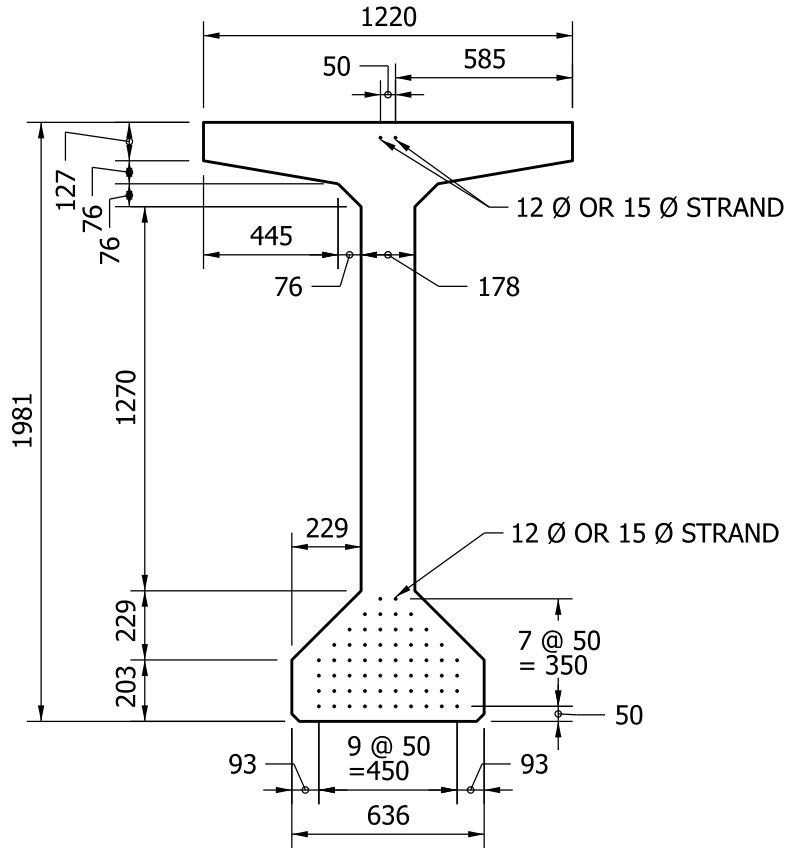


BEAM PROPERTIES	
$A_B$	= 681,500 mm <sup>2</sup>
$I_B$	= 361,719 x 10 <sup>6</sup> mm <sup>4</sup>
$S_{TB}$	= 391,278 x 10 <sup>3</sup> mm <sup>3</sup>
$S_{BB}$	= 342,360 x 10 <sup>3</sup> mm <sup>3</sup>
$Y_{TB}$	= 924.57 mm
$Y_{BB}$	= 1056.5 mm
Wt.	= 16.08 kN/m

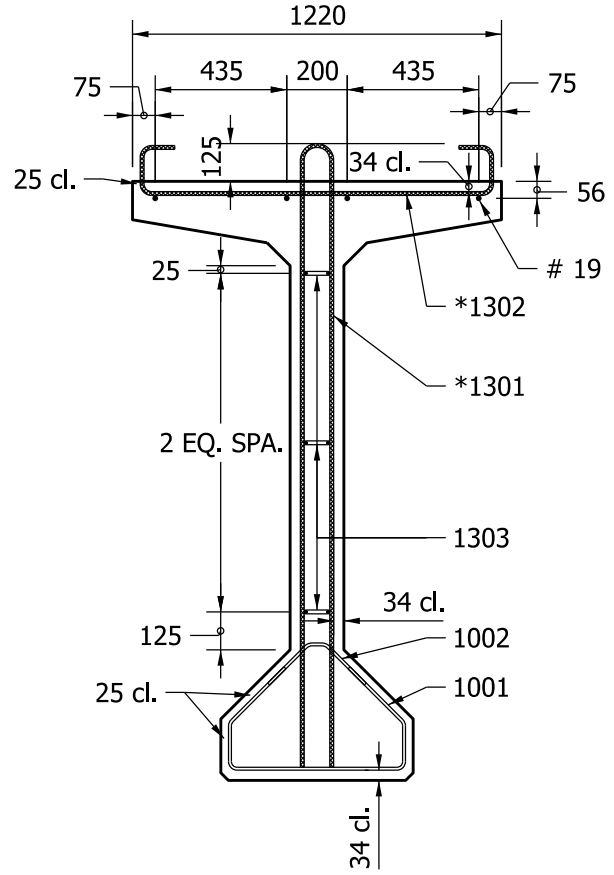


NOTES:

1. BARS 1001 AND 1002 COMBINED TO FORM ONE STIRRUP.

2.  \*DENOTES EPOXY-COATED BARS

3. ALL DIMENSIONS ARE IN MILLIMETERS.



BULB - TEE BEAM  
TYPE BT 1981 x 1220

Figure 63-14E(1)