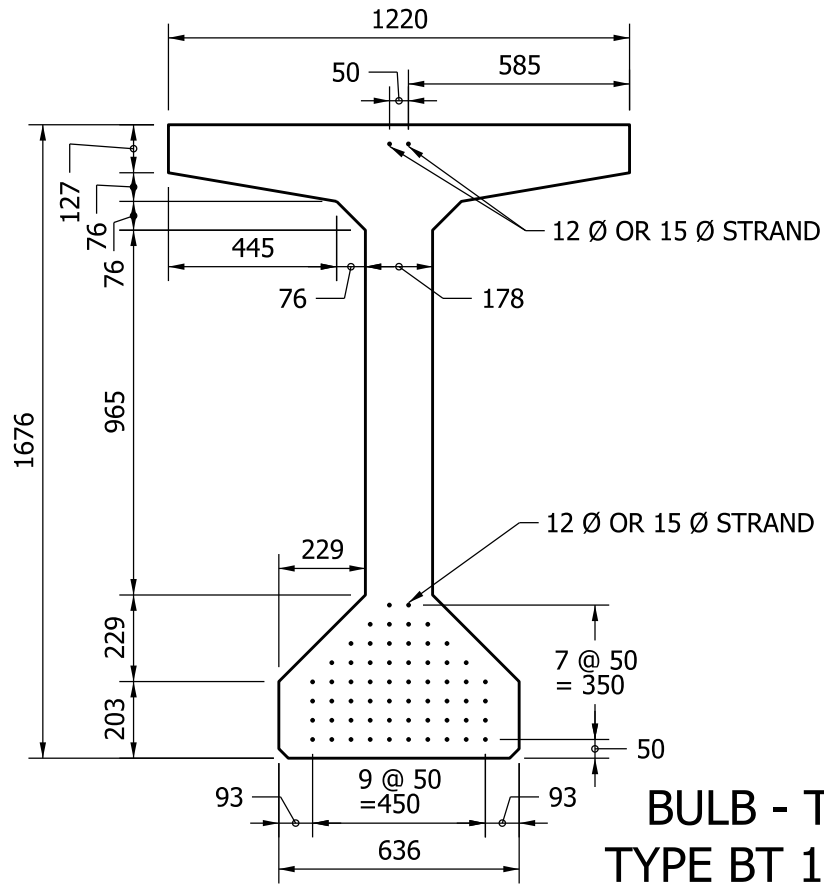


BEAM PROPERTIES

$A_B = 627,200 \text{ mm}^2$
 $I_B = 237,510 \times 10^6 \text{ mm}^4$
 $S_{TB} = 306,269 \times 10^3 \text{ mm}^3$
 $S_{BB} = 263,751 \times 10^3 \text{ mm}^3$
 $Y_{TB} = 775.5 \text{ mm}$
 $Y_{BB} = 900.5 \text{ mm}$
 $Wt. = 14.80 \text{ kN/m}$



**BULB - TEE BEAM
TYPE BT 1676 x 1220**

NOTES:

1. BARS 1001 AND 1002 COMBINED TO FORM ONE STIRRUP.

2. *DENOTES EPOXY-COATED BARS

3. ALL DIMENSIONS ARE IN MILLIMETERS.

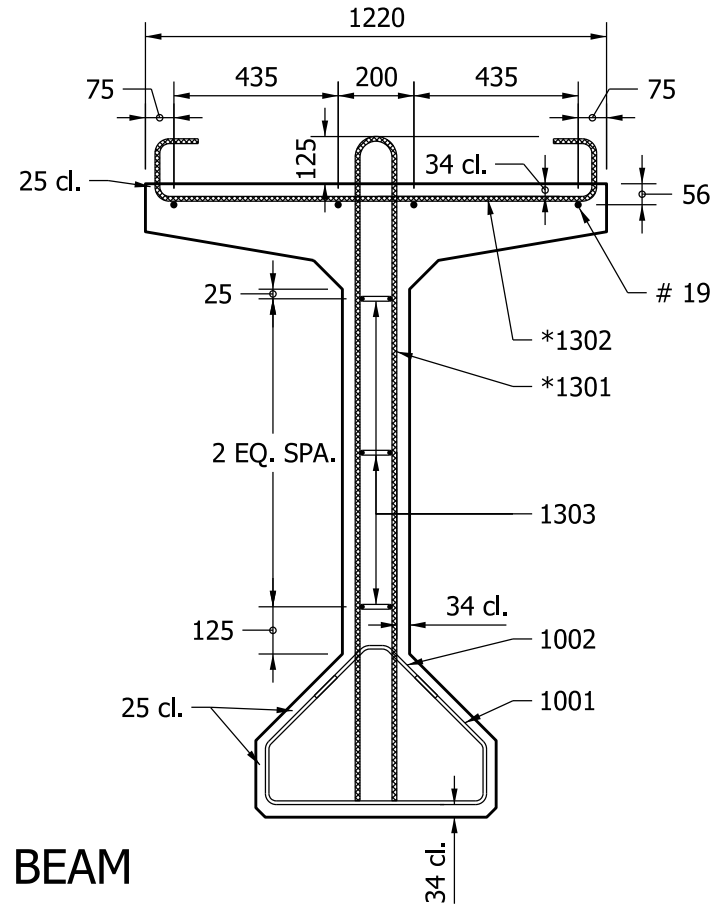


Figure 63-14C(1)