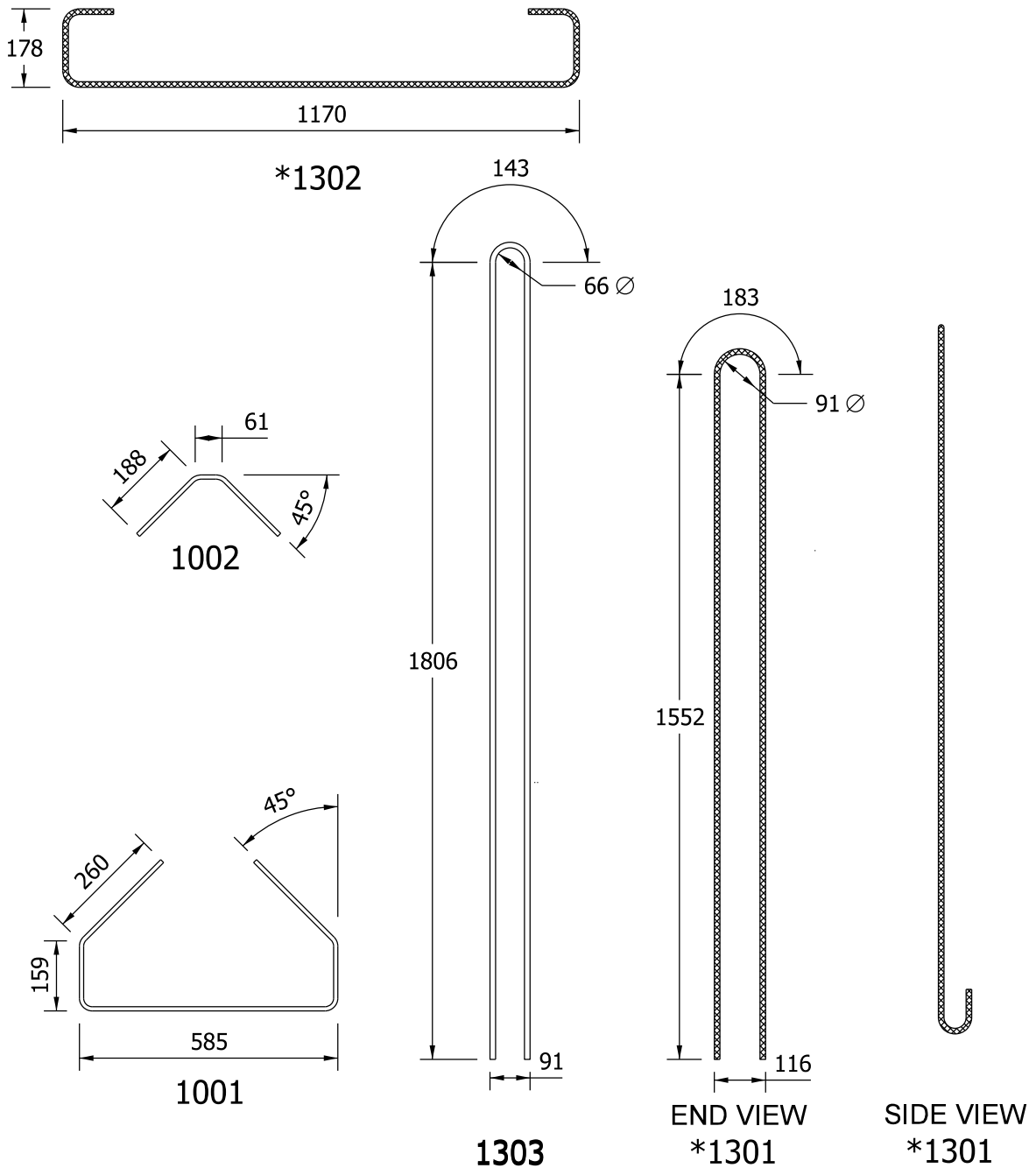
 * DENOTES EPOXY-COATED BARS
 ALL DIMENSIONS ARE IN MILLIMETERS.



BULB - TEE BEAM
TYPE BT 1524 x 1220
BAR BENDING DETAILS

Figure 63-14B(2)