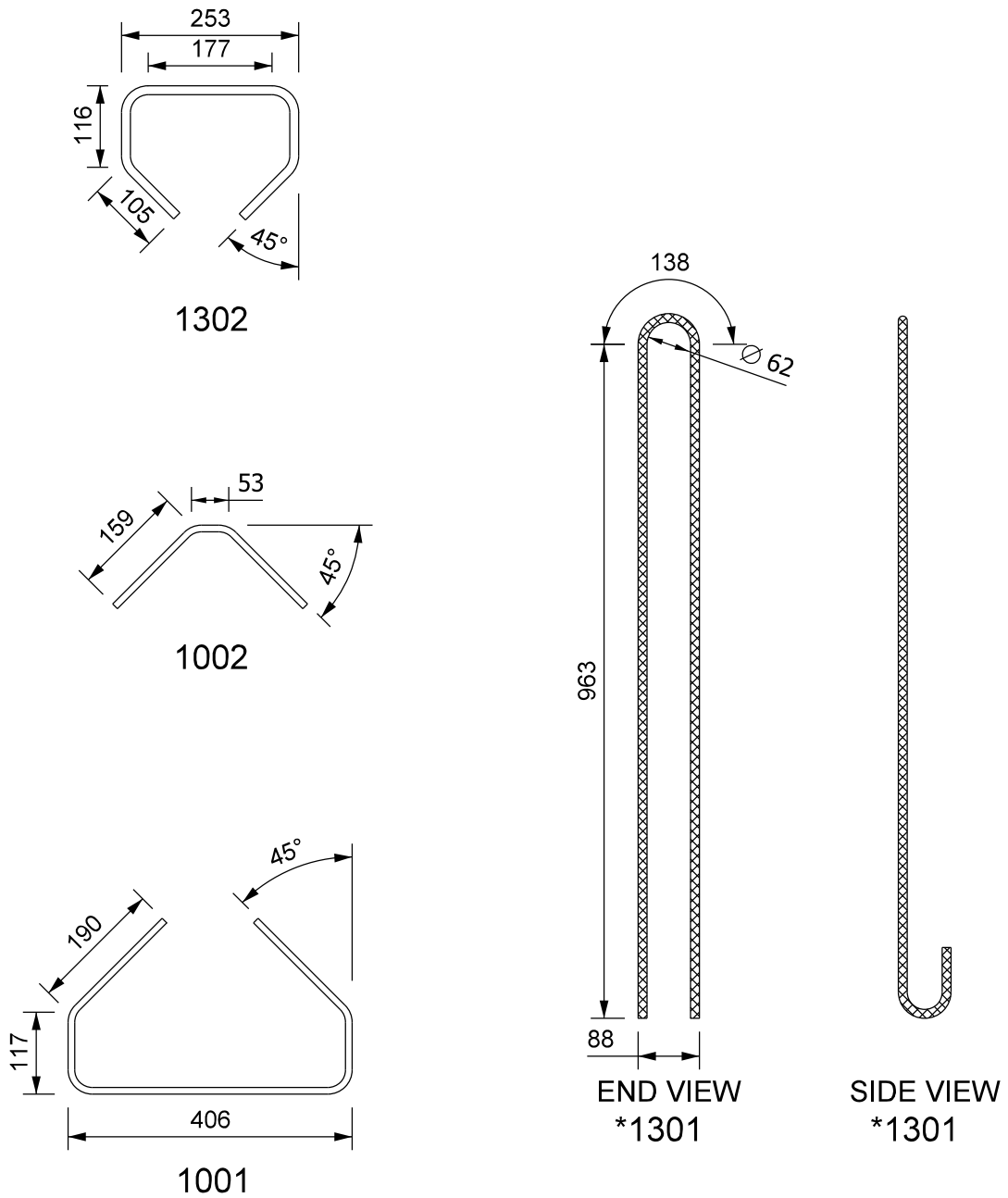


 * DENOTES EPOXY-COATED BAR
 ALL DIMENSIONS ARE IN MILLIMETERS.



I - BEAM TYPE II
 BAR BENDING DETAILS

Figure 63-13B(2)