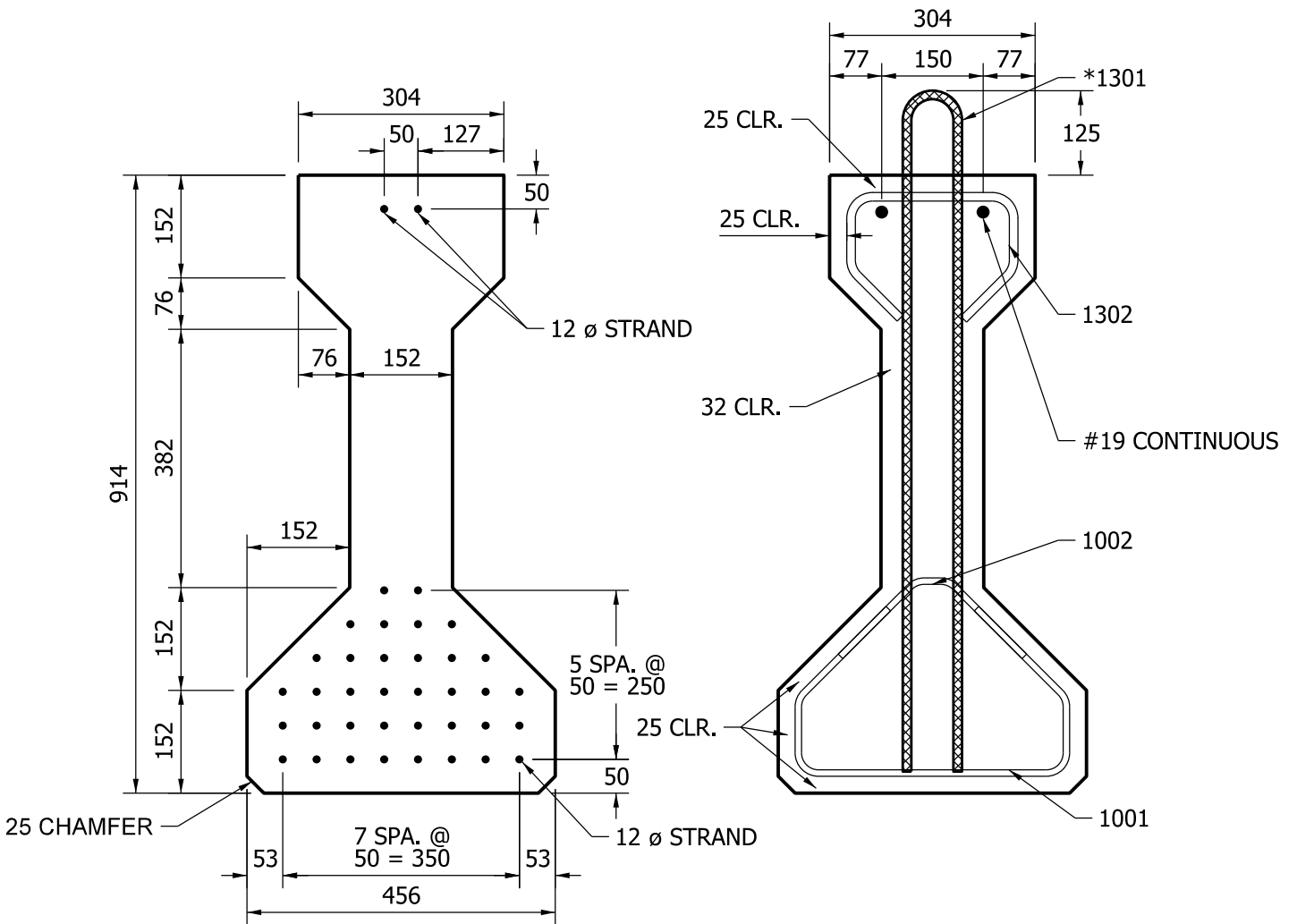


BEAM PROPERTIES

$A_B = 237,100 \text{ mm}^2$
 $I_B = 21,125 \times 10^6 \text{ mm}^4$
 $S_{TB} = 41,251 \times 10^3 \text{ mm}^3$
 $S_{BB} = 52,562 \times 10^3 \text{ mm}^3$
 $Y_{TB} = 512.1 \text{ mm}$
 $Y_{BB} = 401.9 \text{ mm}$
 $Wt. = 5.60 \text{ kN/m}$

NOTES:

1. BARS 1001 AND 1002 COMBINED TO FORM ONE STIRRUP.
2. *DENOTES EPOXY-COATED BAR
3. ALL DIMENSIONS ARE IN MILLIMETERS.



I - BEAM TYPE II

Figure 63-13B(1)