

NOTICE: CONSTRUCTION SITE SAFETY IS THE SOLE RESPONSIBILITY OF THE CONTRACTOR. DUCKS UNLIMITED, INC. SHALL NOT ASSUME ANY RESPONSIBILITY FOR THE SAFETY OF THE WORK PERFORMED, PERSONS ENGAGED IN THE WORK, NEARBY STRUCTURES, OR OF OTHER PERSONS ON-SITE. THIS MATERIAL, DATA AND INFORMATION IS THE PROPERTY OF DUCKS UNLIMITED, INC. AND IS NOT TO BE REPRODUCED, COPIED, OR TRANSMITTED IN ANY FORM OR BY ANY MEANS, WITHOUT THE WRITTEN CONSENT OF DUCKS UNLIMITED, INC. DUCKS UNLIMITED, INC. MAKES NO WARRANTY, EXPRESS OR IMPLIED, FOR THE ACCURACY, COMPLETENESS, OR SUITABILITY OF THIS MATERIAL, DATA AND INFORMATION. USER AGREES THAT DUCKS UNLIMITED, INC. IS NOT RESPONSIBLE FOR THEIR USE OF THE MATERIAL, DATA AND INFORMATION OR THE RESULTS THEREOF. THIS MATERIAL, DATA AND INFORMATION IS PROVIDED AS IS, WITHOUT WARRANTY OF ANY KIND, AND DUCKS UNLIMITED, INC. SHALL NOT BE LIABLE FOR ANY DAMAGES, INCLUDING CONSEQUENTIAL DAMAGES, ARISING FROM THE USE OF THIS MATERIAL, DATA AND INFORMATION. THIS DOCUMENT IS THE PROPERTY OF DUCKS UNLIMITED, INC. AND IS NOT TO BE REPRODUCED, COPIED, OR TRANSMITTED IN ANY FORM OR BY ANY MEANS, WITHOUT THE WRITTEN CONSENT OF DUCKS UNLIMITED, INC. ANY ALTERATION, REVISION, OR ADDITION TO THIS DOCUMENT SHALL BE FOLLOWED BY THEIR SIGNATURE, THE DATE OF SUCH ALTERATION, AND A SPECIFIC DESCRIPTION OF THE ALTERATION.

F:\valero_cdd_projects\in-125-3_behind_lake\c3d_drawing\in-125-3 Site Plan.dwg, 10/25/2022 4:44 PM, Bradley Kullmann, Over All Site Plan, None

PHASE 1 (UNIT 1) SITE PLAN
SEE PG. 6

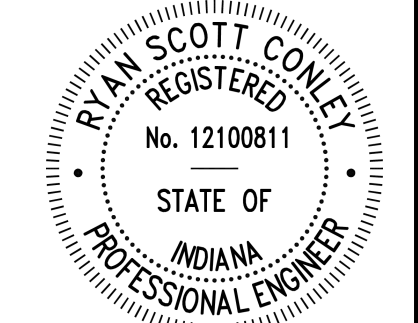
PHASE 3 (UNIT 2) SITE PLAN
SEE PG. 8

PHASE 2 (UNIT 3) SITE PLAN
SEE PG. 7

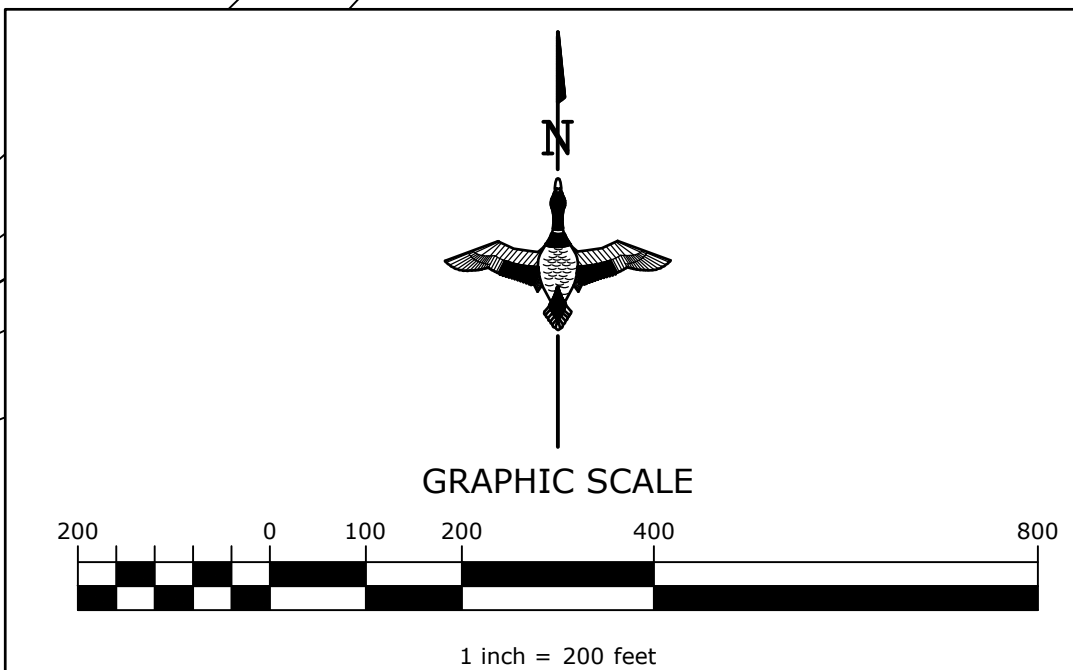
UNIT 2
FSL = 350.0'
ACRES = 41.6

UNIT 3
FSL = 350.0'
ACRES = 73.6

UNIT 1
FSL = 350.0'
ACRES = 73.2



10/27/2022



GREAT LAKES/ATLANTIC REGIONAL OFFICE
7322 NEWMAN BOULEVARD, BUILDING 1
DEXTER, MICHIGAN 48130
(734) 623-2000
www.ducks.org

DUCKS UNLIMITED

AFFIX SEAL: DUCKS UNLIMITED, INC.
ON:

SITE PLAN
BEHIND LAKE
HOVEY LAKE FISH & WILDLIFE
AREA
POSEY COUNTY, IN

Revision	Sheet	Date	By

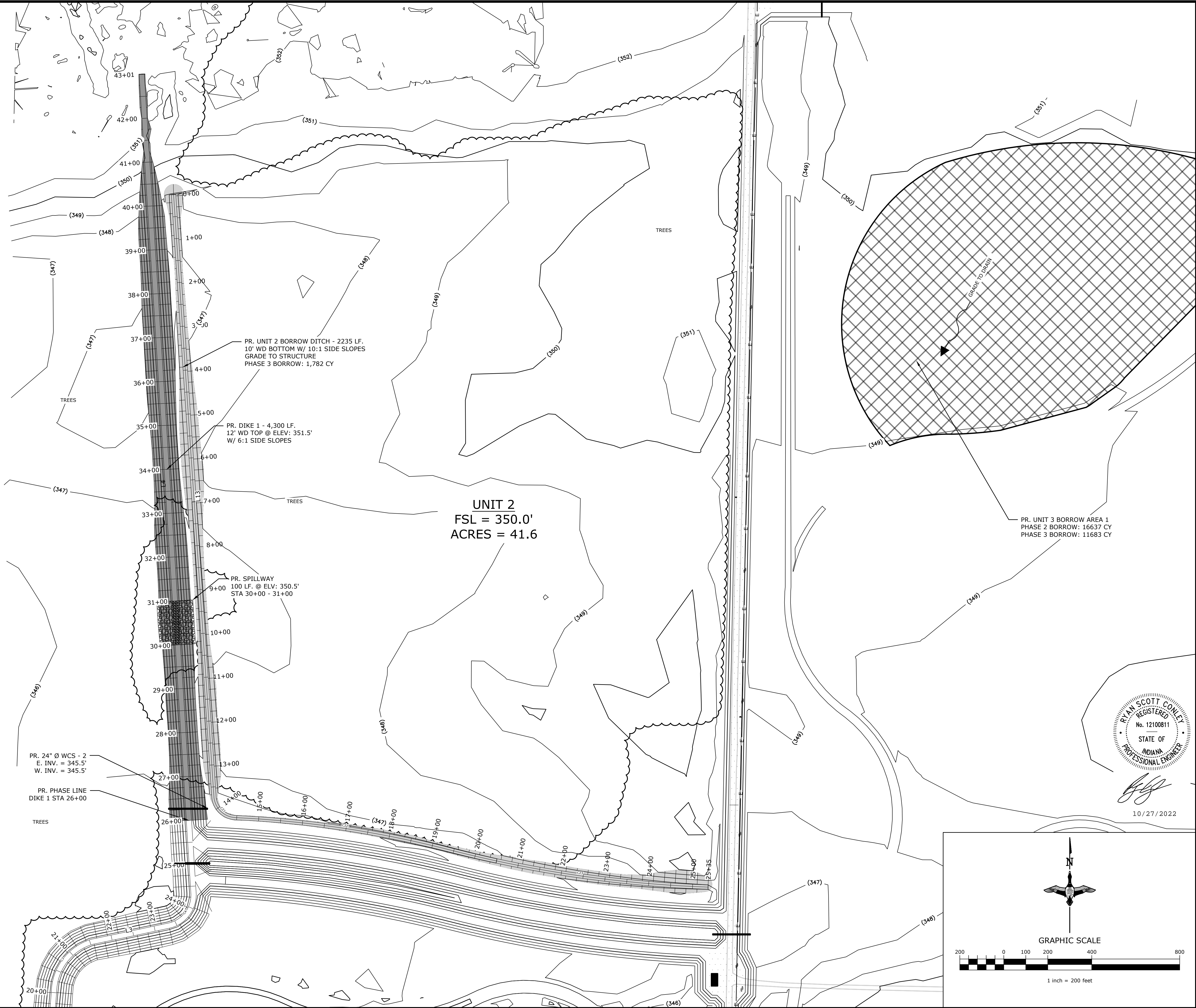
CAD FILE:
IN-125-3 Site Plan
DESIGNED BY: RC
DRAWN BY: BK
SURVEYED BY: RC & BK
BIOLOGIST: DC

DATE:
05/19/2022
PROJECT NUMBER:
US-IN-125-3

5

NOTICE: CONSTRUCTION SITE SAFETY IS THE SOLE RESPONSIBILITY OF THE CONTRACTOR. DUCKS UNLIMITED, INC. SHALL NOT ASSUME ANY RESPONSIBILITY FOR THE SAFETY OF THE WORK PERFORMED, PERSONS ENGAGED IN THE WORK, NEARBY STRUCTURES, OR OF OTHER PERSONS ON SITE. THIS MATERIAL, DATA AND INFORMATION IS THE PROPERTY OF DUCKS UNLIMITED, INC. AND IS NOT TO BE REPRODUCED OR TRANSMITTED IN ANY FORM OR BY ANY MEANS, ELECTRONIC OR MECHANICAL, INCLUDING PHOTOCOPYING, RECORDING, OR BY ANY INFORMATION STORAGE AND RETRIEVAL SYSTEM, WITHOUT THE PRIOR WRITTEN CONSENT OF DUCKS UNLIMITED, INC. DUCKS UNLIMITED, INC. MAKES NO WARRANTY, REPRESENTATION OR OPINION AS TO THE ACCURACY, COMPLETENESS, OR QUALITY OF THE MATERIAL, DATA AND INFORMATION. USER AGREES THAT DUCKS UNLIMITED, INC. IS NOT RESPONSIBLE FOR THEIR USE OF THE MATERIAL, DATA AND INFORMATION OR THE RESULTS THEREOF. ANY ALTERATION, MODIFICATION, REVISION, OR CHANGE TO THIS MATERIAL, DATA AND INFORMATION IS AT THE USER'S SOLE RISK. BY USING ANY OF THIS MATERIAL, DATA AND INFORMATION, USER AGREES THAT DUCKS UNLIMITED, INC. IS NOT RESPONSIBLE FOR THEIR USE OF THE MATERIAL, DATA AND INFORMATION OR THE RESULTS THEREOF. ANY ALTERATION, MODIFICATION, REVISION, OR CHANGE TO THIS MATERIAL, DATA AND INFORMATION IS AT THE USER'S SOLE RISK. ANY ALTERATION, MODIFICATION, REVISION, OR CHANGE TO THIS MATERIAL, DATA AND INFORMATION SHALL BE THE PROPERTY OF DUCKS UNLIMITED, INC. AND SHALL BE SUBJECT TO THE TERMS AND CONDITIONS OF THE PROFESSIONAL IS ALTERED, THE ALTERING ENGINEER, ARCHITECT, LANDSCAPE ARCHITECT OR LAND SURVEYOR SHALL STAMP THE DOCUMENT AND INCLUDE THE NOTATION "ALTERED BY" FOLLOWED BY THEIR SIGNATURE, THE DATE OF SUCH ALTERATION, AND A SPECIFIC DESCRIPTION OF THE ALTERATION.

F:\Vlario cdd projects\in-125-3 behind lake\c3d_drawing\in-125-3 Site Plan.dwg, 10/25/2022 4:44 PM, Bradley Kullmann, Unit 2, Note



UNIT 2
FSL = 350.0'
ACRES = 41.6

PR. 24" Ø WCS - 2
E. INV. = 345.5'
W. INV. = 345.5'

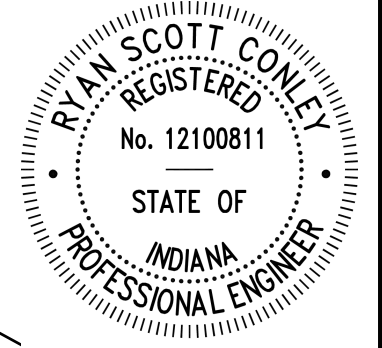
PR. PHASE LINE
DIKE 1 STA 26+00

PR. UNIT 2 BORROW DITCH - 2235 LF,
10' WD BOTTOM W/ 10:1 SIDE SLOPES
GRADE TO STRUCTURE
PHASE 3 BORROW: 1,782 CY

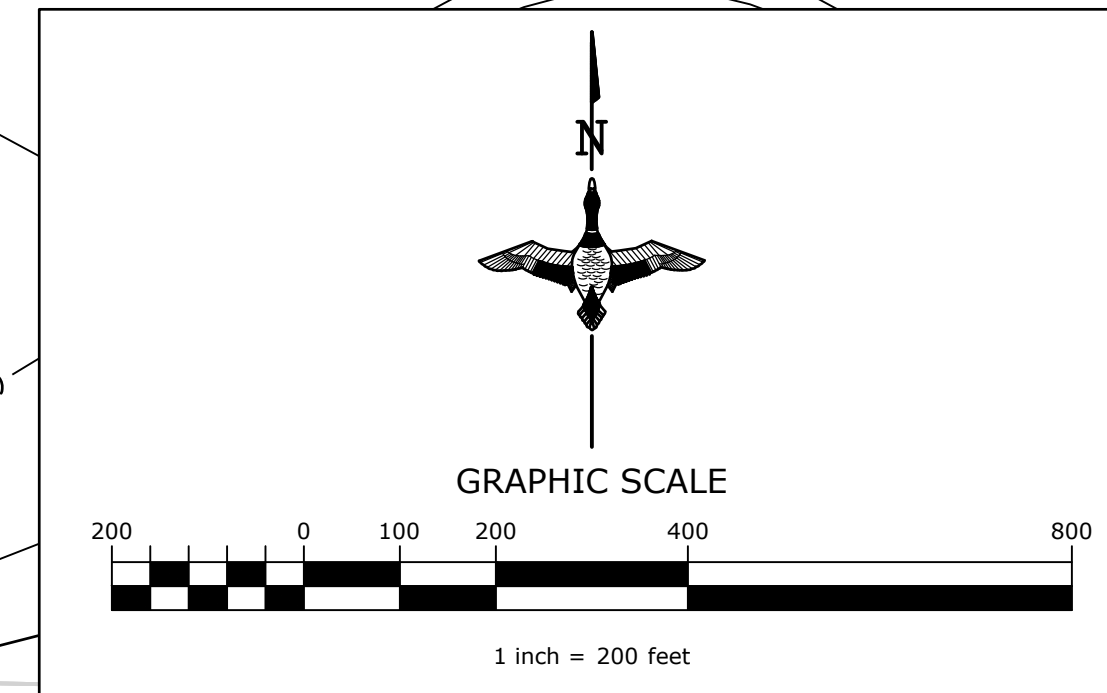
PR. DIKE 1 - 4,300 LF,
12' WD TOP @ ELEV: 351.5'
W/ 6:1 SIDE SLOPES

PR. SPILLWAY
100 LF @ ELV: 350.5'
STA 30+00 - 31+00

PR. UNIT 3 BORROW AREA 1
PHASE 2 BORROW: 16637 CY
PHASE 3 BORROW: 11683 CY



10/27/2022



GREAT LAKES/ATLANTIC REGIONAL OFFICE
7322 NEWMAN BOULEVARD, BUILDING 1
DEXTER, MICHIGAN 48130
(734) 623-2000
www.ducks.org

DUCKS UNLIMITED

AFFIX SEAL: DUCKS UNLIMITED, INC.
ON:

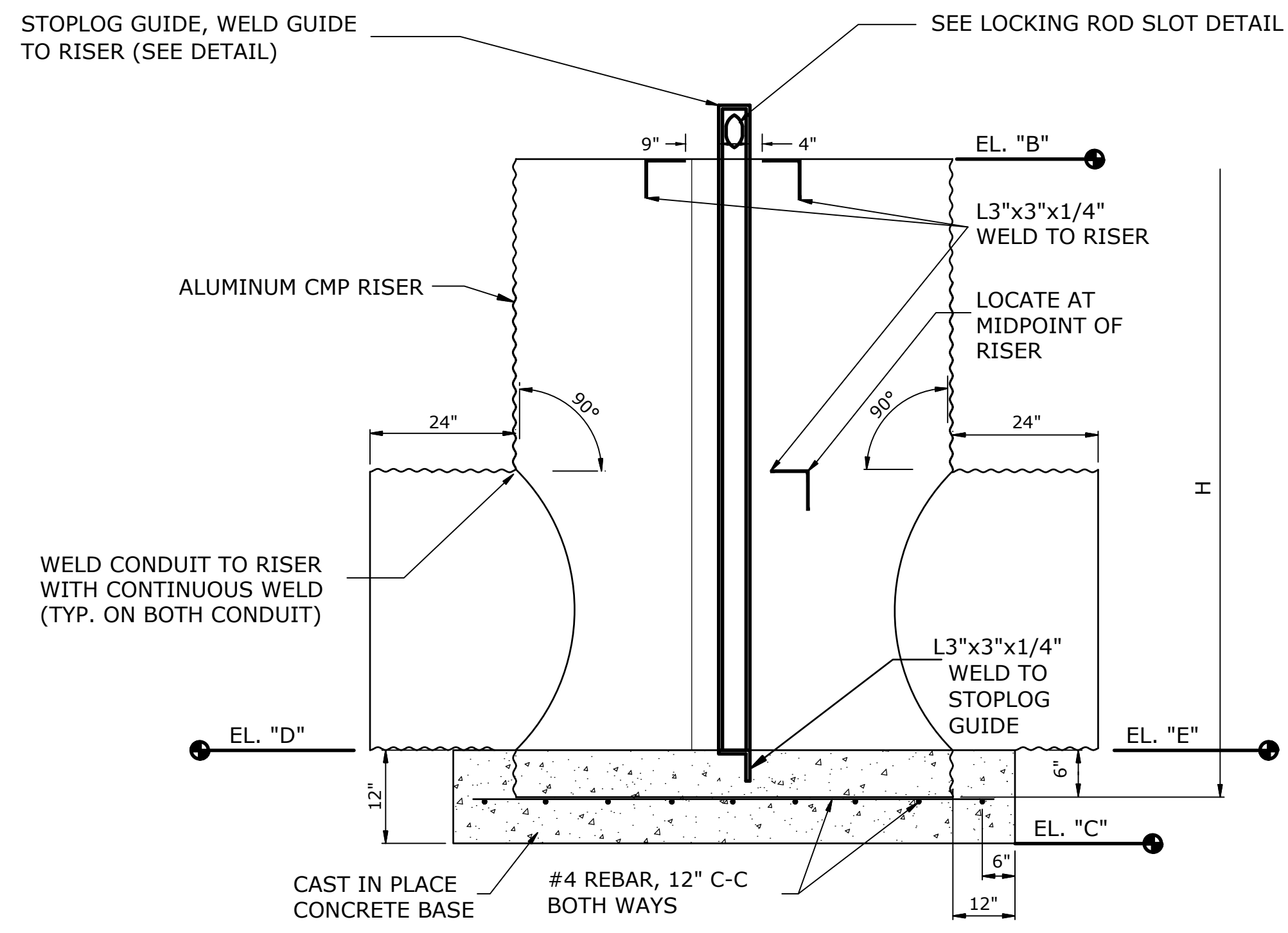
PHASE 3 (UNIT 2) SITE PLAN
BEHIND LAKE
HOVEY LAKE FISH & WILDLIFE
AREA
POSEY COUNTY, IN

Revision	Sheet	Date	By

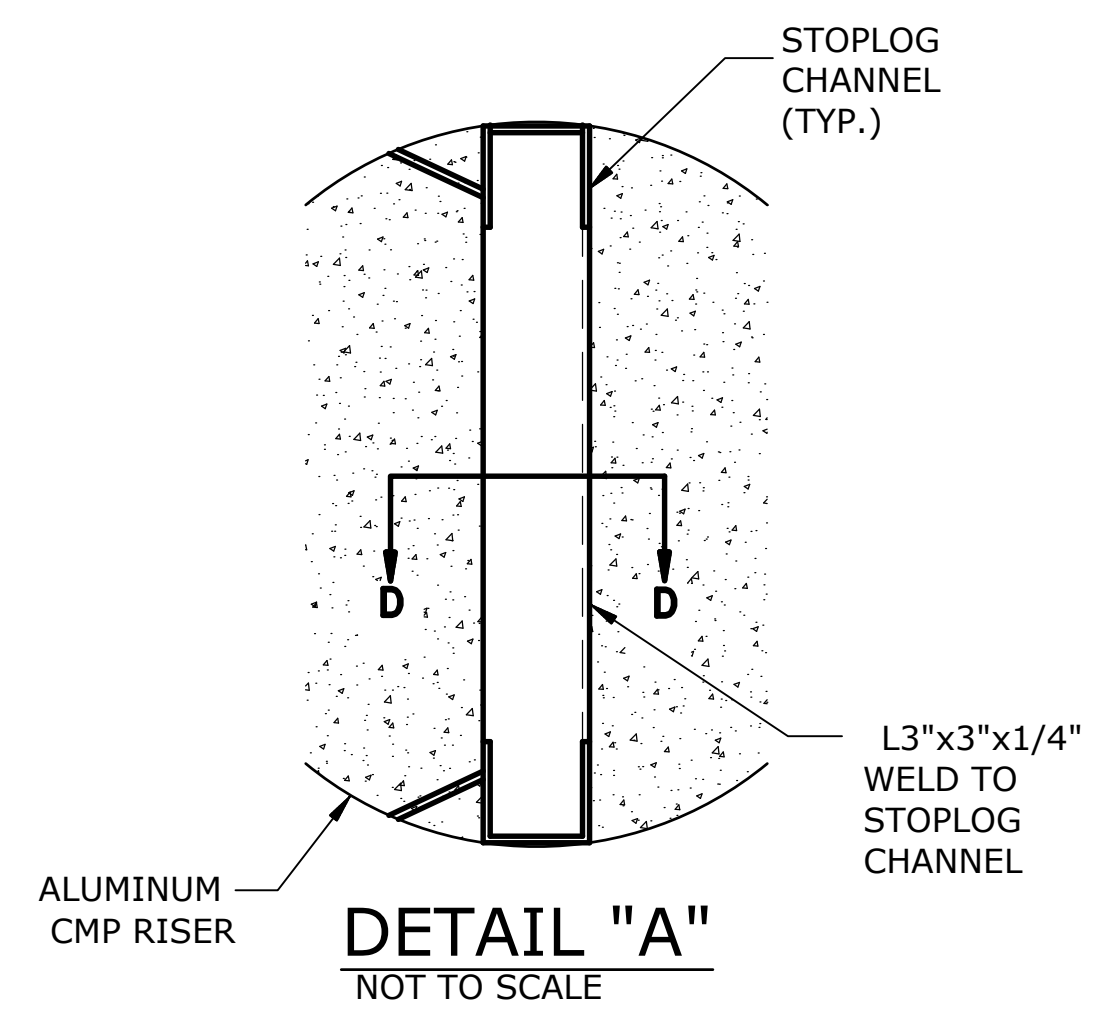
CAD FILE:
IN-125-3 Site Plan
DESIGNED BY: RC
DRAWN BY: BK
SURVEYED BY: RC & BK
BIOLOGIST: DC

DATE:
05/19/2022
PROJECT NUMBER:
US-IN-125-3

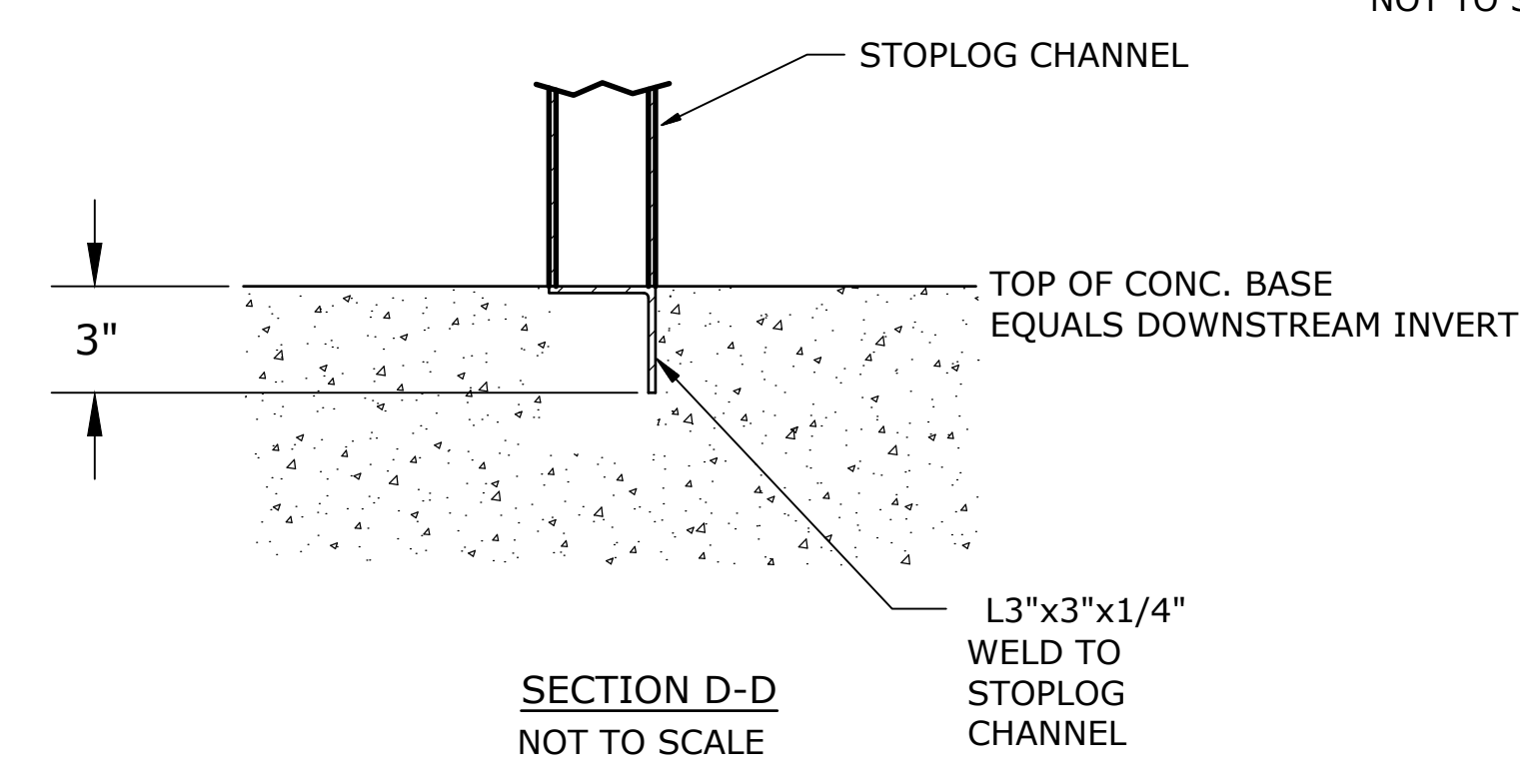
8



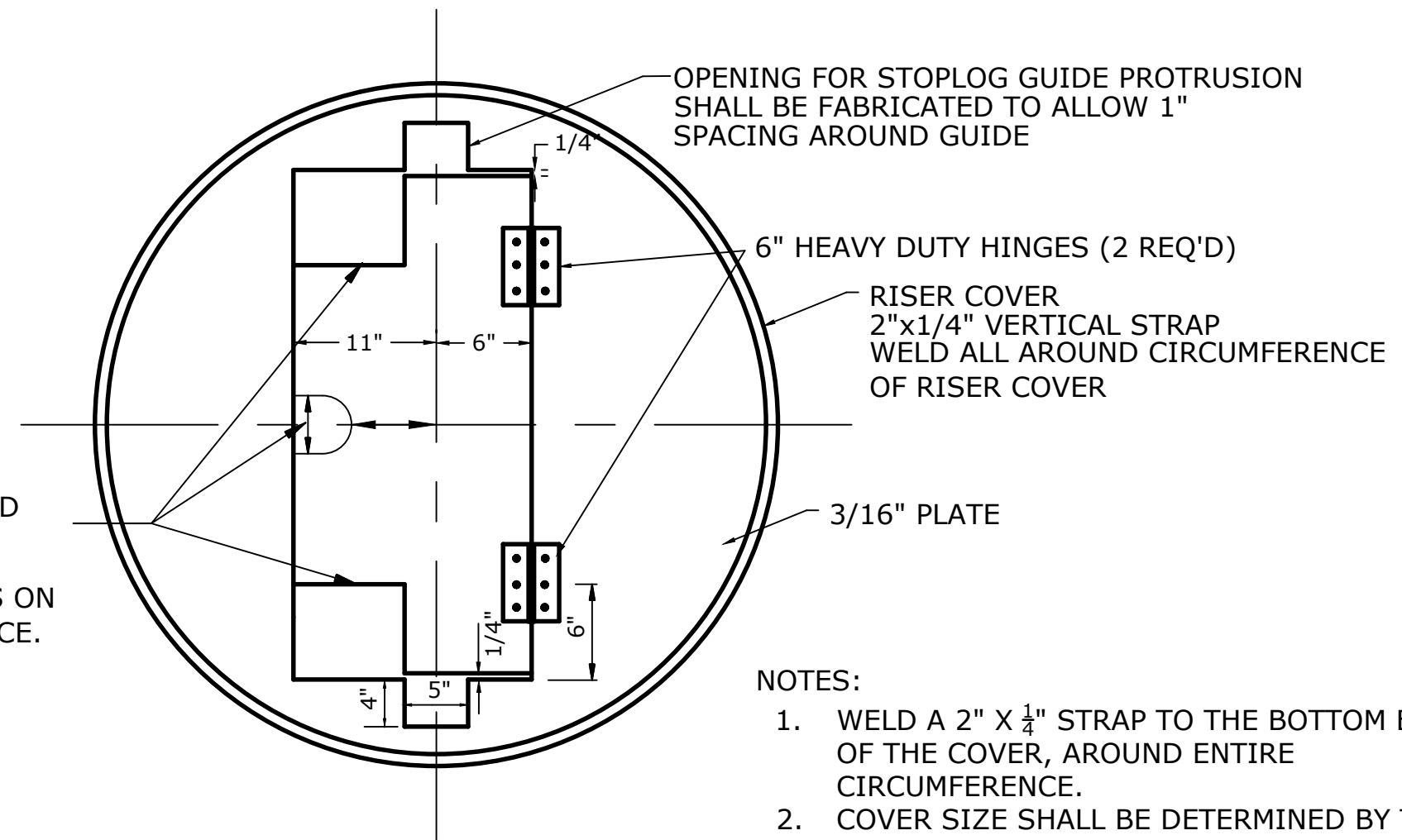
TYP CMP GATE CONTROL STRUCTURE
NOT TO SCALE



DETAIL "A"
NOT TO SCALE

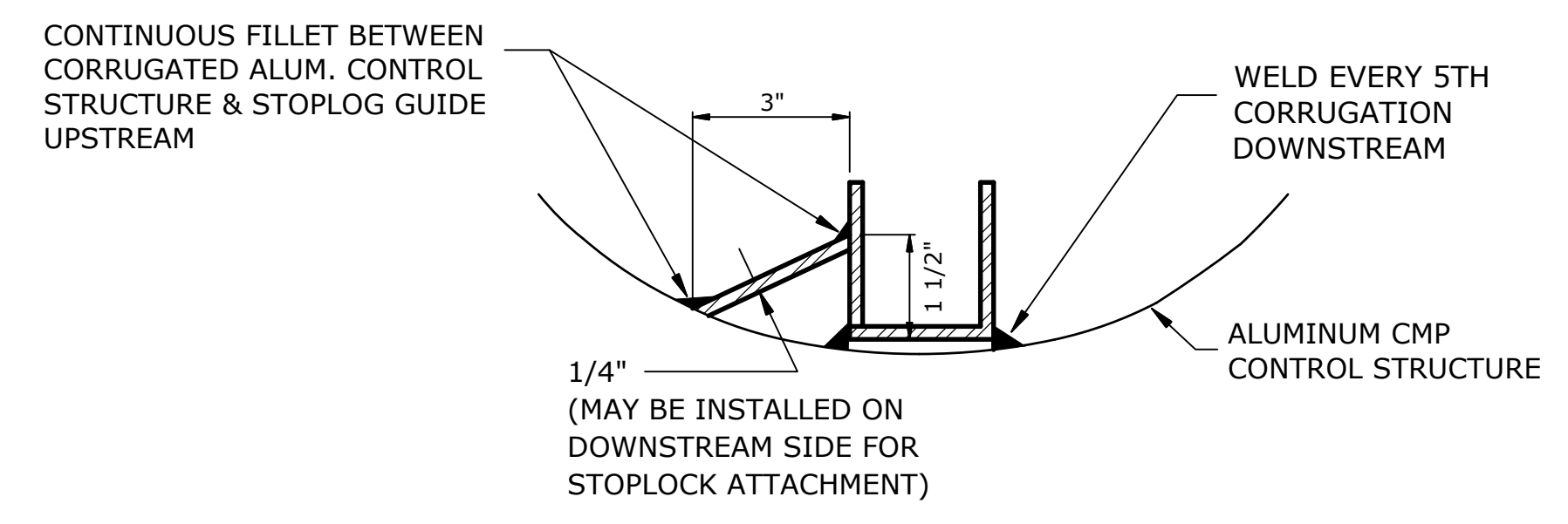


SECTION D-D
NOT TO SCALE

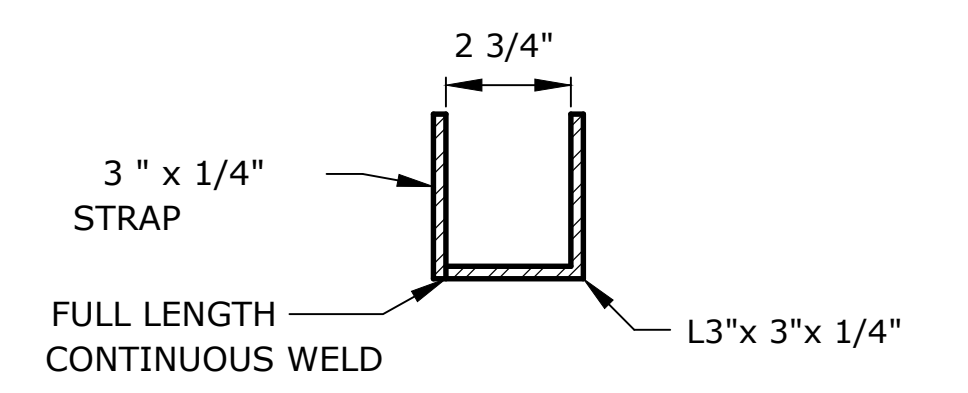


GATE RISER COVER DETAIL
NOT TO SCALE

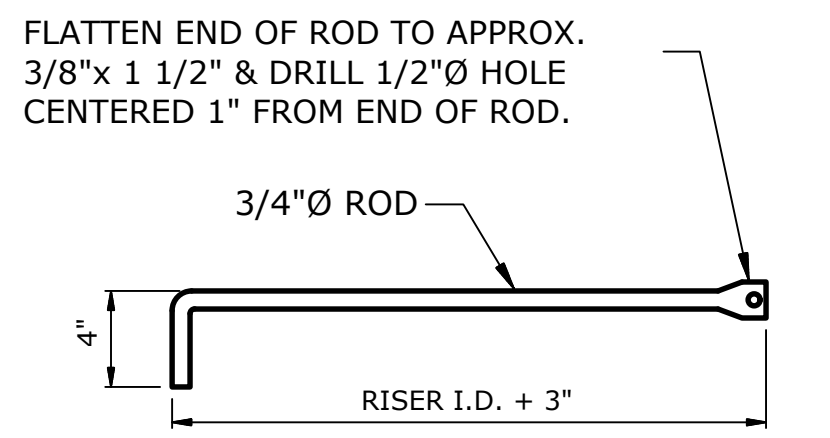
- NOTES:
1. WELD A 2" X 1/4" STRAP TO THE BOTTOM EDGE OF THE COVER, AROUND ENTIRE CIRCUMFERENCE.
 2. COVER SIZE SHALL BE DETERMINED BY THE RISER DIAMETER PLUS 4".
 3. HINGED DOOR LENGTH SHALL BE DETERMINED BY THE RISER DIAMETER MINUS 5" SIDE OF RISER.



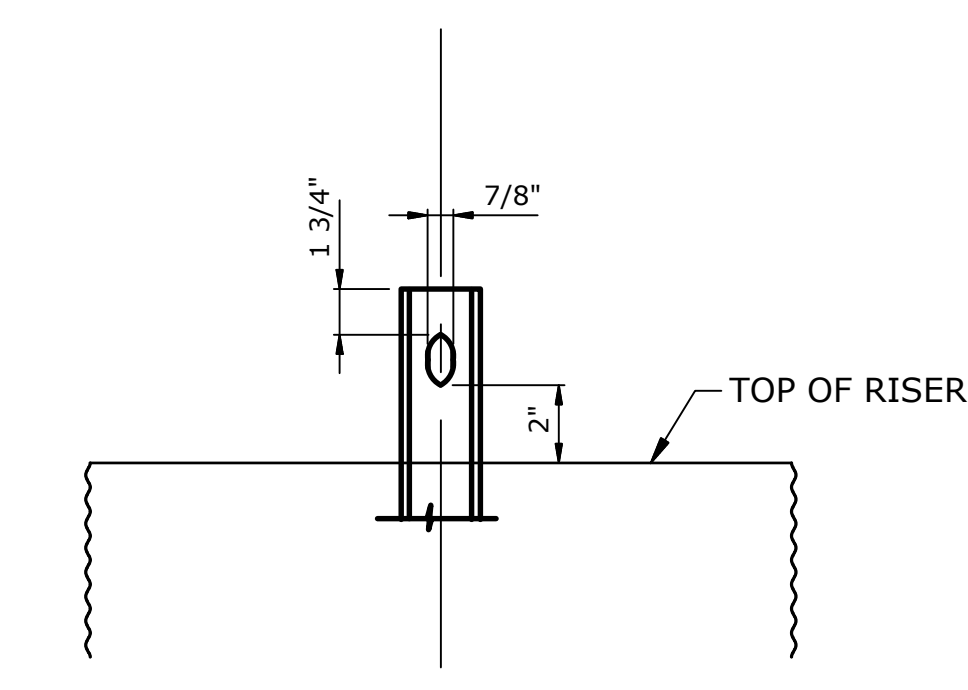
STOPLOG GUIDE DETAIL
NOT TO SCALE



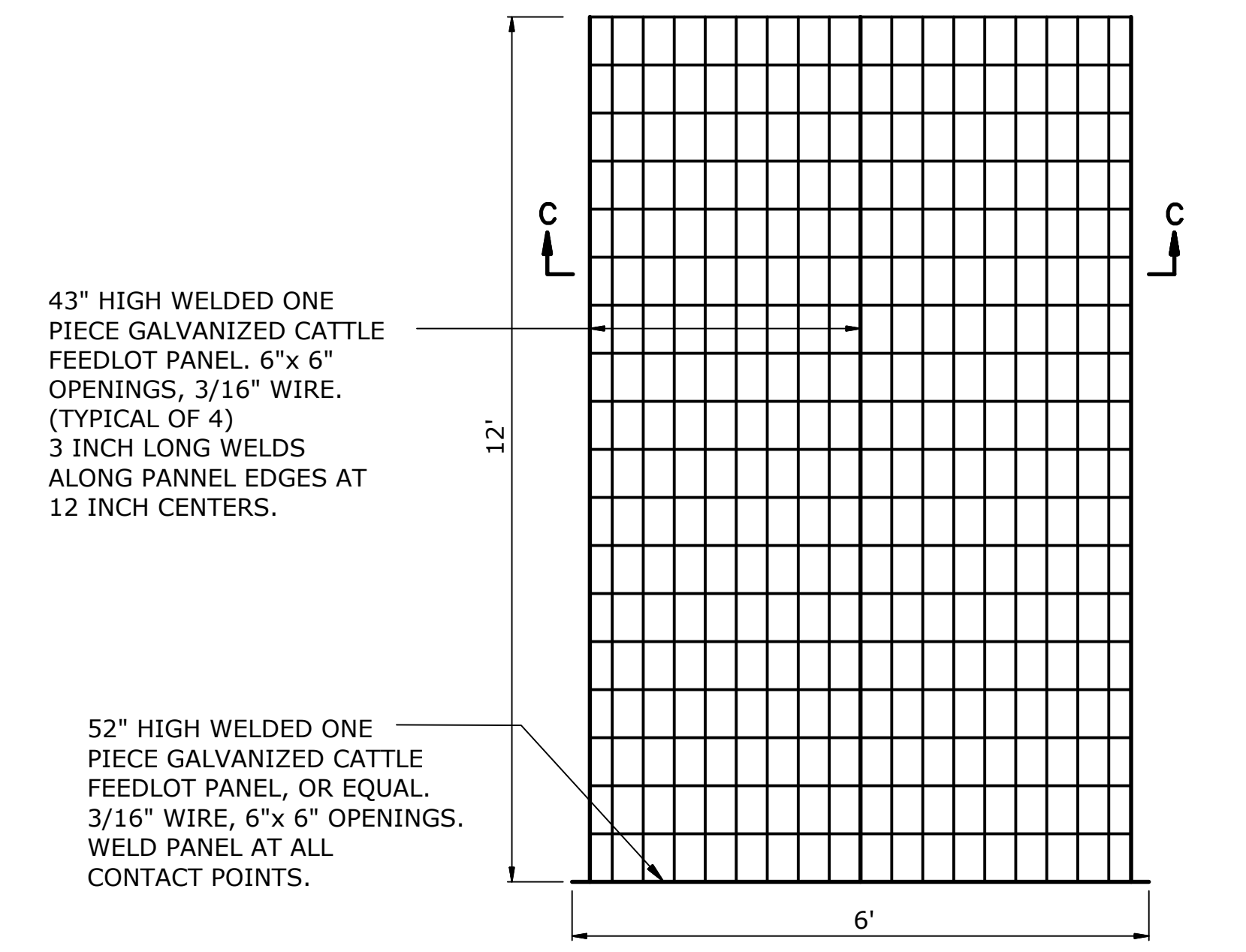
STOPLOG CHANNEL DETAIL
NOT TO SCALE



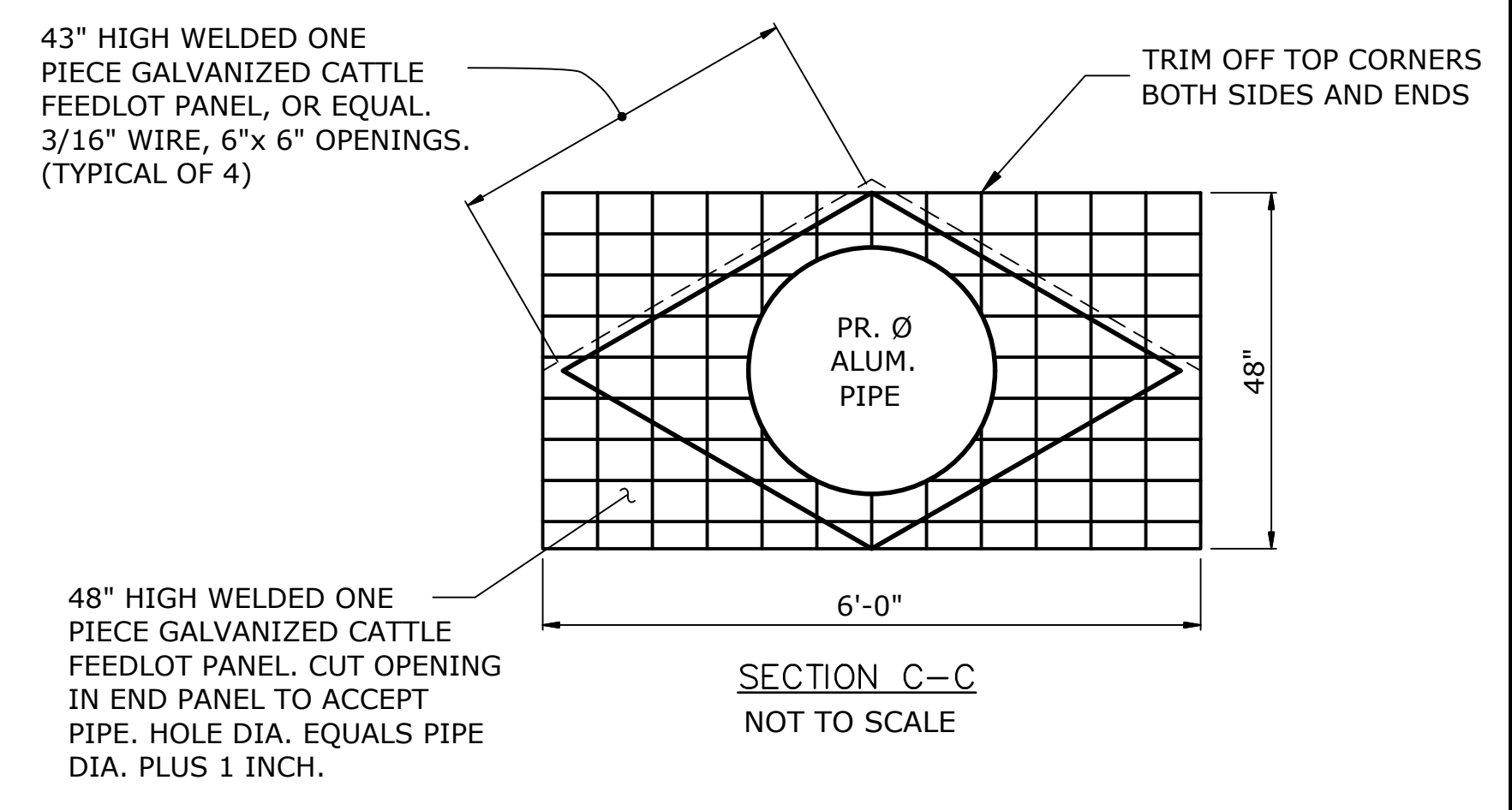
LOCKING ROD DETAIL
NOT TO SCALE



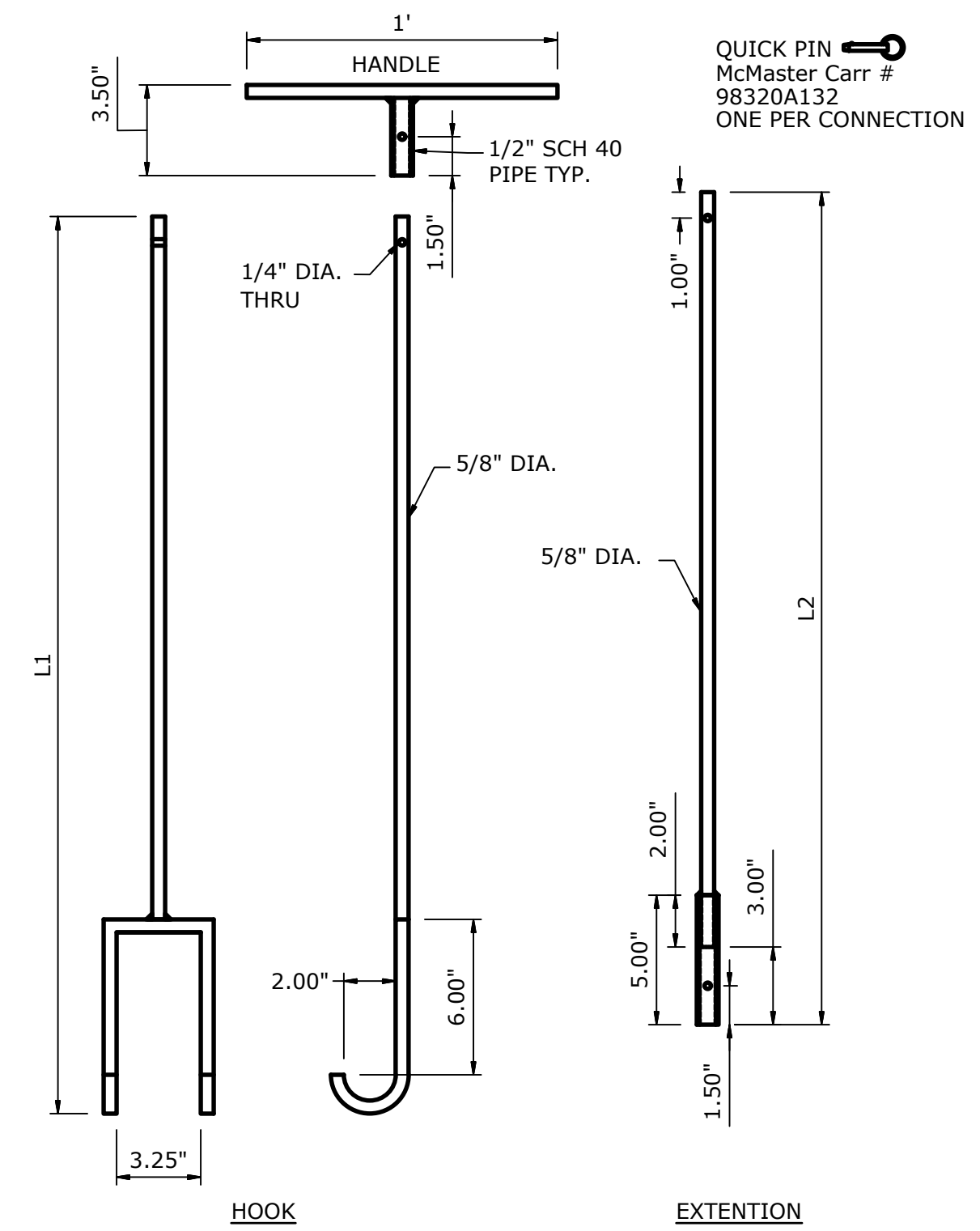
LOCKING ROD SLOT DETAIL
NOT TO SCALE



BEAVER DETERRENT DETAIL
NOT TO SCALE



SECTION C-C
NOT TO SCALE



STOPLOG LIFTING HOOK DETAIL
NOT TO SCALE

NOTE: L1 AND L2 EQUAL HEIGHT OF RISER PLUS 1' MAX LENGTH FOR EACH 5'. AFTER ADD A SECOND EXTENSION L3 2 PER STRUCTURE

NOTICE: CONSTRUCTION SITE SAFETY IS THE SOLE RESPONSIBILITY OF THE CONTRACTOR. DUCKS UNLIMITED, INC. SHALL NOT ASSUME ANY RESPONSIBILITY FOR THE SAFETY OF THE WORK PERFORMED, PERSONS ENGAGED IN THE WORK, NEARBY STRUCTURES, OR OF OTHER PERSONS ON SITE. THIS MATERIAL, DATA AND INFORMATION IS THE PROPERTY OF DUCKS UNLIMITED, INC. AND IS NOT TO BE REPRODUCED OR TRANSMITTED IN ANY FORM OR BY ANY MEANS, ELECTRONIC OR MECHANICAL, INCLUDING PHOTOCOPYING, RECORDING, OR BY ANY INFORMATION STORAGE AND RETRIEVAL SYSTEM, WITHOUT THE PRIOR WRITTEN CONSENT OF DUCKS UNLIMITED, INC. DUCKS UNLIMITED, INC. MAKES NO WARRANTY, REPRESENTATION OR GUARANTEE, EXPRESS OR IMPLIED, AS TO THE ACCURACY, COMPLETENESS, OR QUALITY OF THIS MATERIAL, DATA AND INFORMATION. USER AGREES THAT DUCKS UNLIMITED, INC. IS NOT RESPONSIBLE FOR THEIR USE OF THE MATERIAL, DATA AND INFORMATION OR THE RESULTS THEREOF. ANY ALTERATION, MODIFICATION, REVISION, OR SUPPLEMENT TO THIS DOCUMENT, INCLUDING THE DATE OF SUCH ALTERATION, AND A SPECIFIC DESCRIPTION OF THE ALTERATION, ALTERED, THE ALTERING ENGINEER, ARCHITECT, LANDSCAPE ARCHITECT, OR LAND SURVEYOR SHALL STAMP THE DOCUMENT AND INCLUDE THE NOTATION "ALTERED BY" FOLLOWED BY THEIR SIGNATURE, THE DATE OF SUCH ALTERATION, AND A SPECIFIC DESCRIPTION OF THE ALTERATION.

F:\valero_cdd_projects\in-125-3_behind_lake\c3d_drawing\in-125-3_Details.dwg, 10/27/2022 3:39 PM, Bradley Kullmann, WCS - 2, None



DATE: 05/19/2022
PROJECT NUMBER: US-IN-125-3

GREAT LAKES/ATLANTIC REGIONAL OFFICE
 7322 NEWMAN BOULEVARD, BUILDING 1
 DEXTER, MICHIGAN 48130
 (734) 623-2000
 www.ducks.org

DUCKS UNLIMITED

WCS DETAILS - 2
 BEHIND LAKE
 HOVEY LAKE FISH & WILDLIFE
 AREA
 POSEY COUNTY, IN

Revision	By	Date

CAD FILE: IN-125-3_Details
 DESIGNED BY: RC
 DRAWN BY: BK
 SURVEYED BY: RC & BK
 BIOLOGIST: DC

DATE: 05/19/2022
 PROJECT NUMBER: US-IN-125-3

10/27/2022

29

