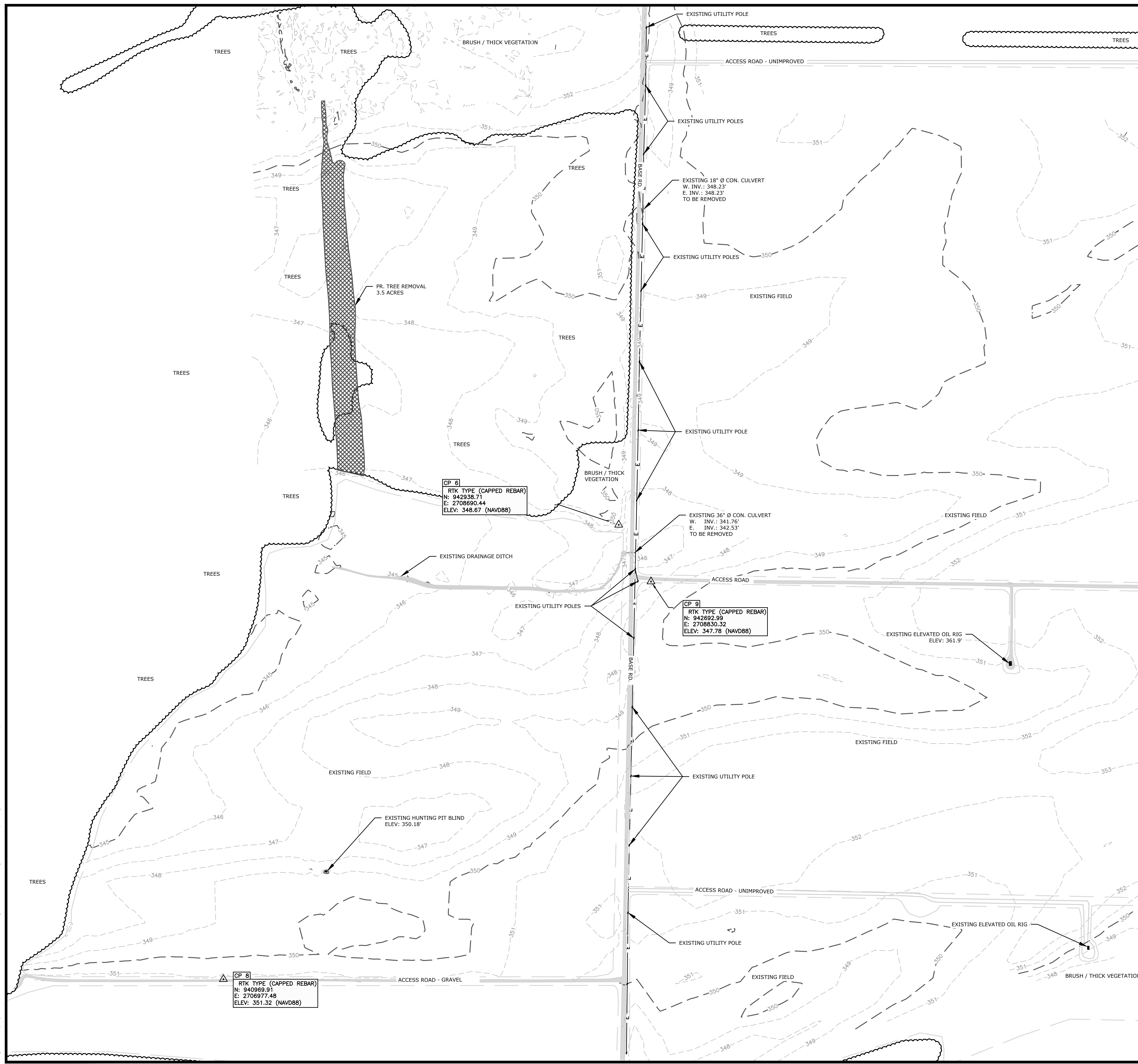


NOTICE: CONSTRUCTION SITE SAFETY IS THE SOLE RESPONSIBILITY OF THE CONTRACTOR. DUCKS UNLIMITED, INC. SHALL NOT ASSUME ANY RESPONSIBILITY FOR THE SAFETY OF THE WORK PERFORMED, PERSONS ENGAGED IN THE WORK, NEARBY STRUCTURES, OR OF OTHER PERSONS ON-SITE. THIS MATERIAL, DATA AND INFORMATION IS THE PROPERTY OF DUCKS UNLIMITED, INC. AND IS NOT TO BE REPRODUCED OR TRANSMITTED IN ANY FORM OR BY ANY MEANS, ELECTRONIC OR MECHANICAL, INCLUDING PHOTOCOPYING, RECORDING, OR BY ANY INFORMATION STORAGE AND RETRIEVAL SYSTEM, WITHOUT THE PRIOR WRITTEN CONSENT OF DUCKS UNLIMITED, INC. DUCKS UNLIMITED, INC. MAKES NO WARRANTY, EXPRESS OR IMPLIED, AS TO THE ACCURACY, COMPLETENESS, OR SUITABILITY OF THIS MATERIAL, DATA AND INFORMATION. USER AGREES TO HOLD DUCKS UNLIMITED, INC. HARMLESS FROM AND TO INDEMNIFY DUCKS UNLIMITED, INC. FROM AND AGAINST ALL CLAIMS, DAMAGES, LOSSES AND EXPENSES, INCLUDING REASONABLE ATTORNEY'S FEES, ARISING OUT OF OR FROM THE USE OF THIS MATERIAL, DATA AND INFORMATION OR THE RESULTS THEREOF. THIS MATERIAL, DATA AND INFORMATION IS PROVIDED "AS IS" AND "AS AVAILABLE" WITHOUT WARRANTY OF ANY KIND. THE DATE OF SUCH ALTERATION, AND A SPECIFIC DESCRIPTION OF THE ALTERATION, ALTERED, THE ALTERING ENGINEER, ARCHITECT, LANDSCAPE ARCHITECT OR LAND SURVEYOR SHALL STAMP THE DOCUMENT AND INCLUDE THE NOTATION "ALTERED BY" FOLLOWED BY THEIR SIGNATURE, THE DATE OF SUCH ALTERATION, AND A SPECIFIC DESCRIPTION OF THE ALTERATION.

F:\valero_cdd_projects\in-125-3_behind_lake\in-125-3_Existing Cond and Topo.dwg, 10/25/2022 4:43 PM, Bradley Kullmann, EXISTING COND. & TOPO, None



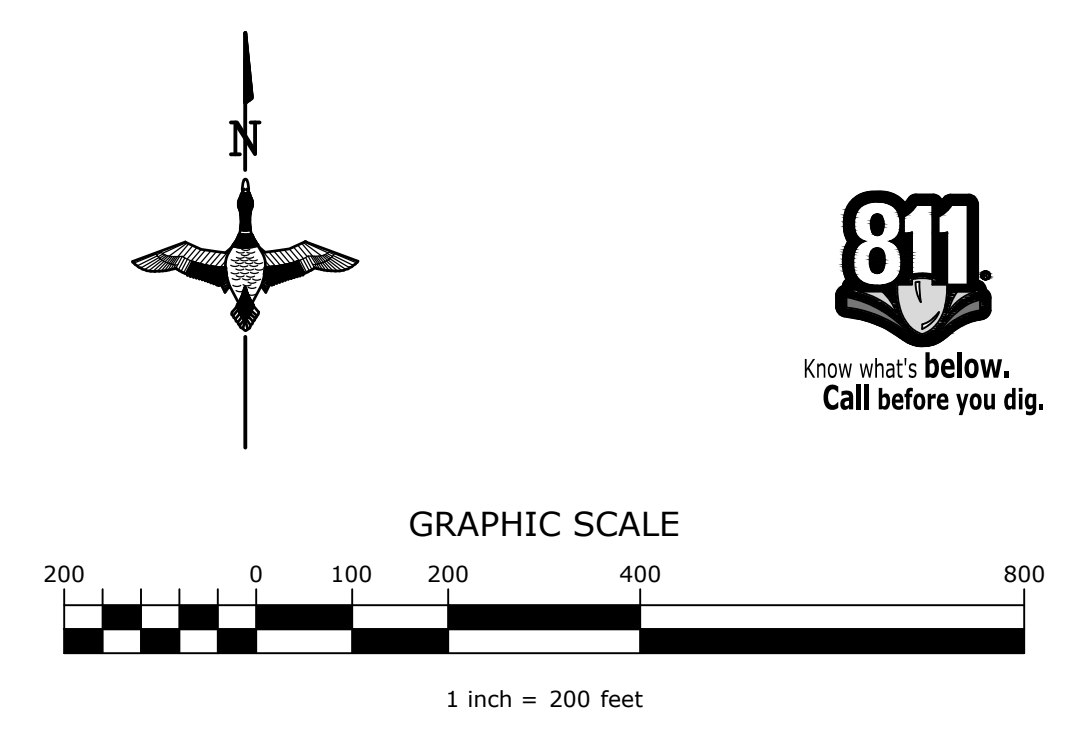
January 31, 2022

US-IN-125-3, Behind Lake
Topographic Survey Field Book: IN-125-3 Behind Lake

HORIZONTAL AND CONTROL
Coordinates are NAD 83 (CORS 2011), Indiana State Plane East Zone 3401, and units of measurement are in U.S. Survey Feet. Raw data was collected for 18 hours on January 24-25, 2022 using a Trimble R10 GPS Base Receiver, Trimble R10 GPS Rover, and Trimble R12 GPS Rover. Coordinates are established from Trimble R10 GPS base receiver and post processed with the NGS OPUS (National Geodetic Survey, Online Positioning User Service) solution for the occupied control point 9.

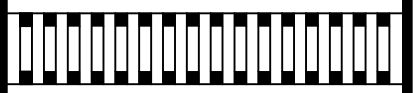
VERTICAL CONTROL
Elevations established from R10 GPS Base Receiver and post processed with the NGS OPUS solution for the occupied control point number 9. Vertical Datum was observed in NAVD 88, using GEOID18.

CONTROL POINT DATA				
POINT #	ELEVATION	NORTH	EAST	DESCRIPTION
6	348.67	942938.71	2708690.44	SET CAPPED REBAR
8	351.32	940969.91	2706977.48	SET CAPPED REBAR
9	347.78	942692.99	2708830.32	SET CAPPED REBAR



GREAT LAKES/ATLANTIC REGIONAL OFFICE
7322 NEWMAN BOULEVARD, BUILDING 1
DEXTER, MICHIGAN 48130
(734) 623-2000
www.ducks.org

AFFIX SEAL: DUCKS UNLIMITED, INC.
ON:



EXISTING COND. & TOPO
BEHIND LAKE
HOVEY LAKE FISH & WILDLIFE
AREA
POSEY COUNTY, IN



By	Date	Revisions	Sheet

CAD FILE:
IN-125-3 Existing Cond and Topo
DESIGNED BY: RC
DRAWN BY: BK
SURVEYED BY: RC & BK
BIOLOGIST: DC

DATE:
05/19/2022
PROJECT NUMBER:
US-IN-125-3

NOTICE: CONSTRUCTION SITE SAFETY IS THE SOLE RESPONSIBILITY OF THE CONTRACTOR. DUCKS UNLIMITED, INC. SHALL NOT ASSUME ANY RESPONSIBILITY FOR THE SAFETY OF THE WORK PERFORMED, PERSONS ENGAGED IN THE WORK, NEARBY STRUCTURES, OR OF OTHER PERSONS ON-SITE. THIS MATERIAL, DATA AND INFORMATION IS THE PROPERTY OF DUCKS UNLIMITED, INC. AND IS NOT TO BE REPRODUCED OR TRANSMITTED IN ANY FORM OR BY ANY MEANS, ELECTRONIC OR MECHANICAL, INCLUDING PHOTOCOPYING, RECORDING, OR BY ANY INFORMATION STORAGE AND RETRIEVAL SYSTEM, WITHOUT THE WRITTEN CONSENT OF AN AUTHORIZED AGENT OF DUCKS UNLIMITED, INC. DUCKS UNLIMITED, INC. MAKES NO WARRANTY, REPRESENTATION OR GUARANTEE, EXPRESS OR IMPLIED, REGARDING THE ACCURACY, COMPLETENESS, RELIABILITY, OR QUALITY OF THE MATERIAL, DATA AND INFORMATION PROVIDED HEREON. THE USER AGREES TO HOLD DUCKS UNLIMITED, INC. HARMLESS FROM AND AGAINST ALL LIABILITY, DAMAGES, LOSSES AND EXPENSES, INCLUDING REASONABLE ATTORNEY'S FEES, THAT MAY BE INCURRED BY OR FOR THE USER AS A RESULT OF THE USER'S USE OF THE MATERIAL, DATA AND INFORMATION PROVIDED HEREON. THE USER'S USE OF THE MATERIAL, DATA AND INFORMATION PROVIDED HEREON IS AT THE USER'S SOLE RISK. BY USING ANY OF THIS MATERIAL, DATA AND INFORMATION, USER AGREES THAT DUCKS UNLIMITED, INC. IS NOT RESPONSIBLE FOR THEIR USE OF THE MATERIAL, DATA AND INFORMATION OR THE RESULTS THEREOF. THIS MATERIAL, DATA AND INFORMATION IS PROVIDED AS-IS AND WITHOUT WARRANTY. ANY ALTERATIONS, MODIFICATIONS, REVISIONS, CORRECTIONS, OR UPDATES TO THIS MATERIAL, DATA AND INFORMATION ARE THE PROPERTY OF DUCKS UNLIMITED, INC. AND SHALL BE FOLLOWED BY THEIR SIGNATURE, THE DATE OF SUCH ALTERATION, AND A SPECIFIC DESCRIPTION OF THE ALTERATION. F:\valero_cdd_projects\in-125-3_behind_lake\c3d_drawing\in-125-3 Site Plan.dwg, 10/25/2022 4:44 PM, Bradley Kullmann, Over All Site Plan, None

PHASE 1 (UNIT 1) SITE PLAN
SEE PG. 6

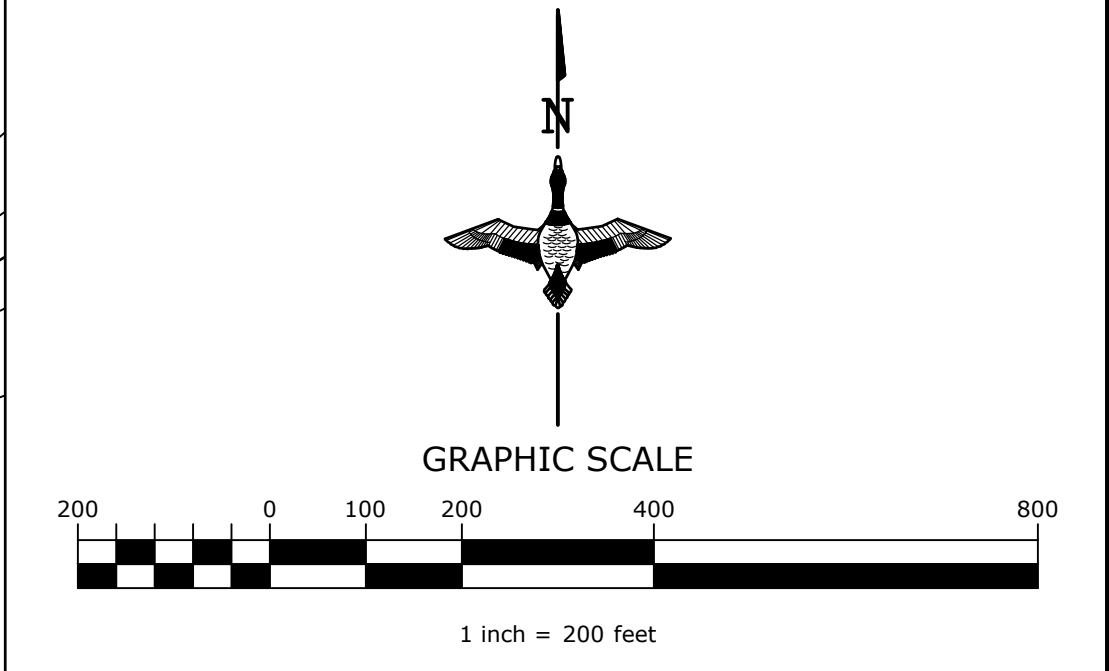
PHASE 3 (UNIT 2) SITE PLAN
SEE PG. 8

PHASE 2 (UNIT 3) SITE PLAN
SEE PG. 7

UNIT 2
FSL = 350.0'
ACRES = 41.6

UNIT 3
FSL = 350.0'
ACRES = 73.6

UNIT 1
FSL = 350.0'
ACRES = 73.2



GREAT LAKES/ATLANTIC REGIONAL OFFICE
 7322 NEWMAN BOULEVARD, BUILDING 1
 DEXTER, MICHIGAN 48130
 (734) 623-2000
 www.ducks.org

DUCKS UNLIMITED

AFFIX SEAL: DUCKS UNLIMITED, INC.
 ON:

**SITE PLAN
BEHIND LAKE
HOVEY LAKE FISH & WILDLIFE
AREA
POSEY COUNTY, IN**

Revision	Sheet	Revisions	Date	By

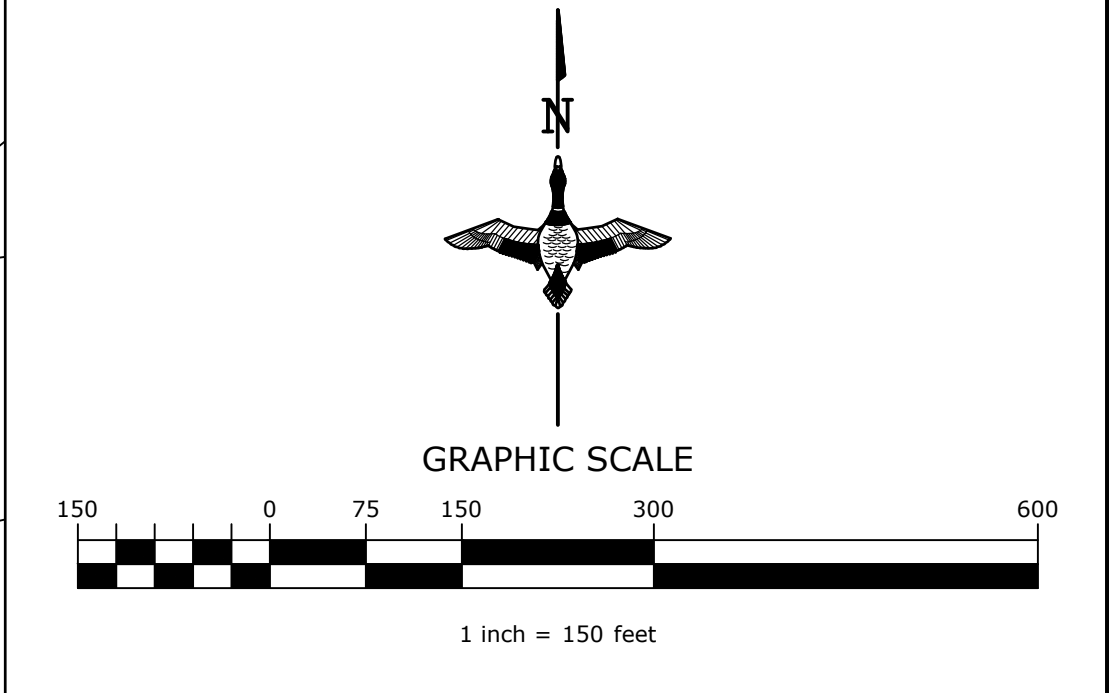
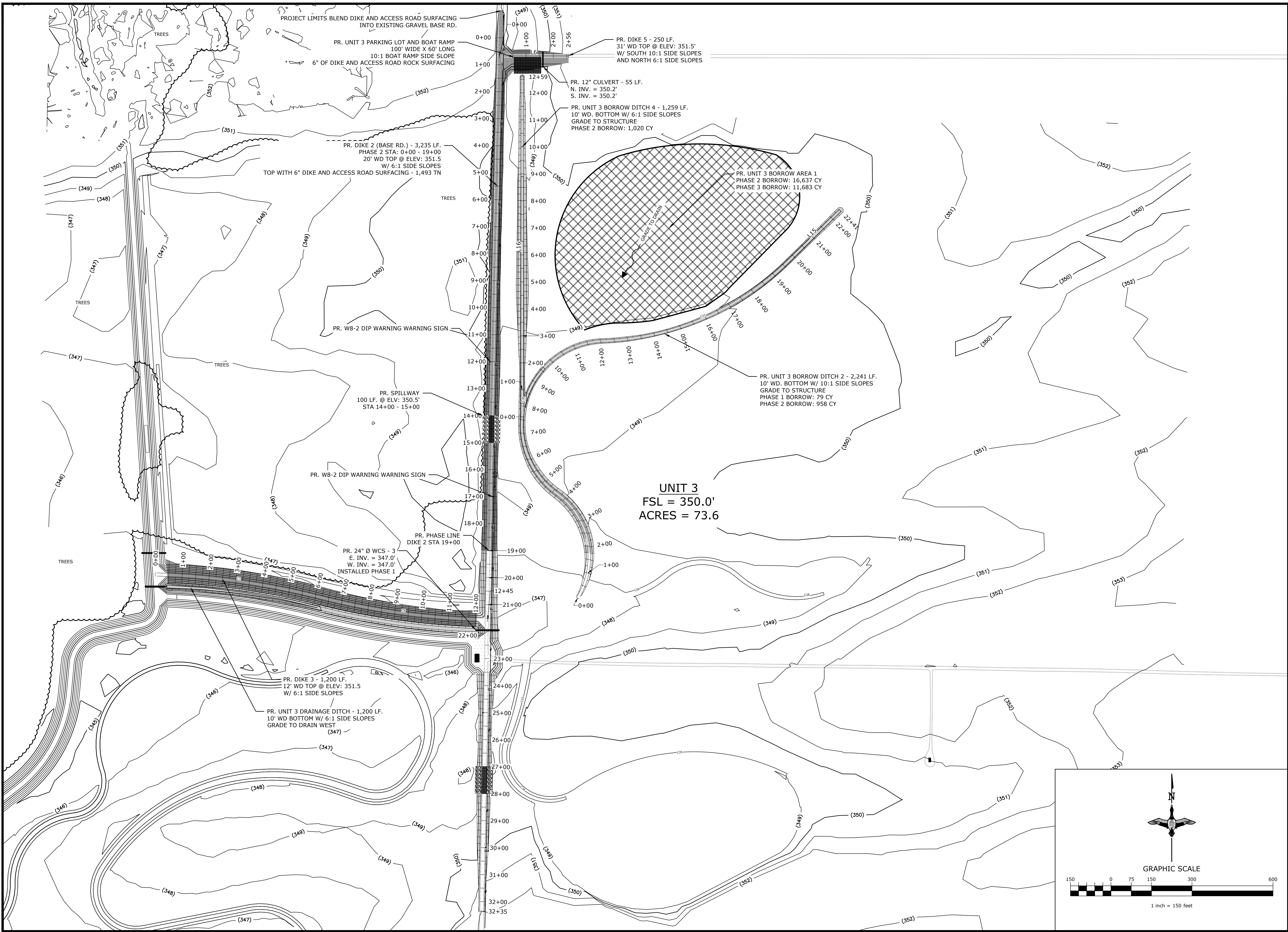
CAD FILE:
 IN-125-3 Site Plan
 DESIGNED BY: RC
 DRAWN BY: BK
 SURVEYED BY: RC & BK
 BIOLOGIST: DC

DATE:
 05/19/2022
 PROJECT NUMBER:
 US-IN-125-3

5

NOTICE: CONSTRUCTION SITE SAFETY IS THE SOLE RESPONSIBILITY OF THE CONTRACTOR. DUCKS UNLIMITED, INC. SHALL NOT ASSUME ANY RESPONSIBILITY FOR THE SAFETY OF THE WORK PERFORMED, PERSONS ENGAGED IN THE WORK, NEARBY STRUCTURES, OR OF OTHER PERSONS ON SITE. THIS MATERIAL, DATA AND INFORMATION IS THE PROPERTY OF DUCKS UNLIMITED, INC. AND IS NOT TO BE REPRODUCED OR TRANSMITTED IN ANY FORM OR BY ANY MEANS, ELECTRONIC OR MECHANICAL, INCLUDING PHOTOCOPYING, RECORDING, OR BY ANY INFORMATION STORAGE AND RETRIEVAL SYSTEM, WITHOUT THE PRIOR WRITTEN CONSENT OF DUCKS UNLIMITED, INC. DUCKS UNLIMITED, INC. MAKES NO WARRANTY, EXPRESS OR IMPLIED, AS TO THE ACCURACY, COMPLETENESS, OR QUALITY OF THIS MATERIAL, DATA AND INFORMATION. USER AGREES THAT DUCKS UNLIMITED, INC. IS NOT RESPONSIBLE FOR THEIR USE OF THE MATERIAL, DATA AND INFORMATION OR THE RESULTS THEREOF. THE USER SHALL BE RESPONSIBLE FOR OBTAINING ALL NECESSARY PERMITS AND APPROVALS FROM ALL APPLICABLE AGENCIES AND AUTHORITIES. THIS MATERIAL, DATA AND INFORMATION IS PROVIDED AS IS. THE USER SHALL BE RESPONSIBLE FOR OBTAINING ALL NECESSARY PERMITS AND APPROVALS FROM ALL APPLICABLE AGENCIES AND AUTHORITIES. THE USER SHALL BE RESPONSIBLE FOR OBTAINING ALL NECESSARY PERMITS AND APPROVALS FROM ALL APPLICABLE AGENCIES AND AUTHORITIES. THE USER SHALL BE RESPONSIBLE FOR OBTAINING ALL NECESSARY PERMITS AND APPROVALS FROM ALL APPLICABLE AGENCIES AND AUTHORITIES. THE USER SHALL BE RESPONSIBLE FOR OBTAINING ALL NECESSARY PERMITS AND APPROVALS FROM ALL APPLICABLE AGENCIES AND AUTHORITIES.

F:\yilare_cdd_projects\in-125-3_behind_lake\cdd_drawing\in-125-3_Site Plan.dwg, 10/25/2022 4:44 PM, Bradley Kulmann, UNIT 23, None



GREAT LAKES/ATLANTIC REGIONAL OFFICE
7322 NEWMAN BOULEVARD, BUILDING 1
DEXTER, MICHIGAN 48130
(734) 623-2000
www.ducks.org

DUCKS UNLIMITED

PHASE 2 (UNIT 3) SITE PLAN
BEHIND LAKE
HOVEY LAKE FISH & WILDLIFE
AREA
POSEY COUNTY, IN

Revision	Sheet	Revisions	Date	By

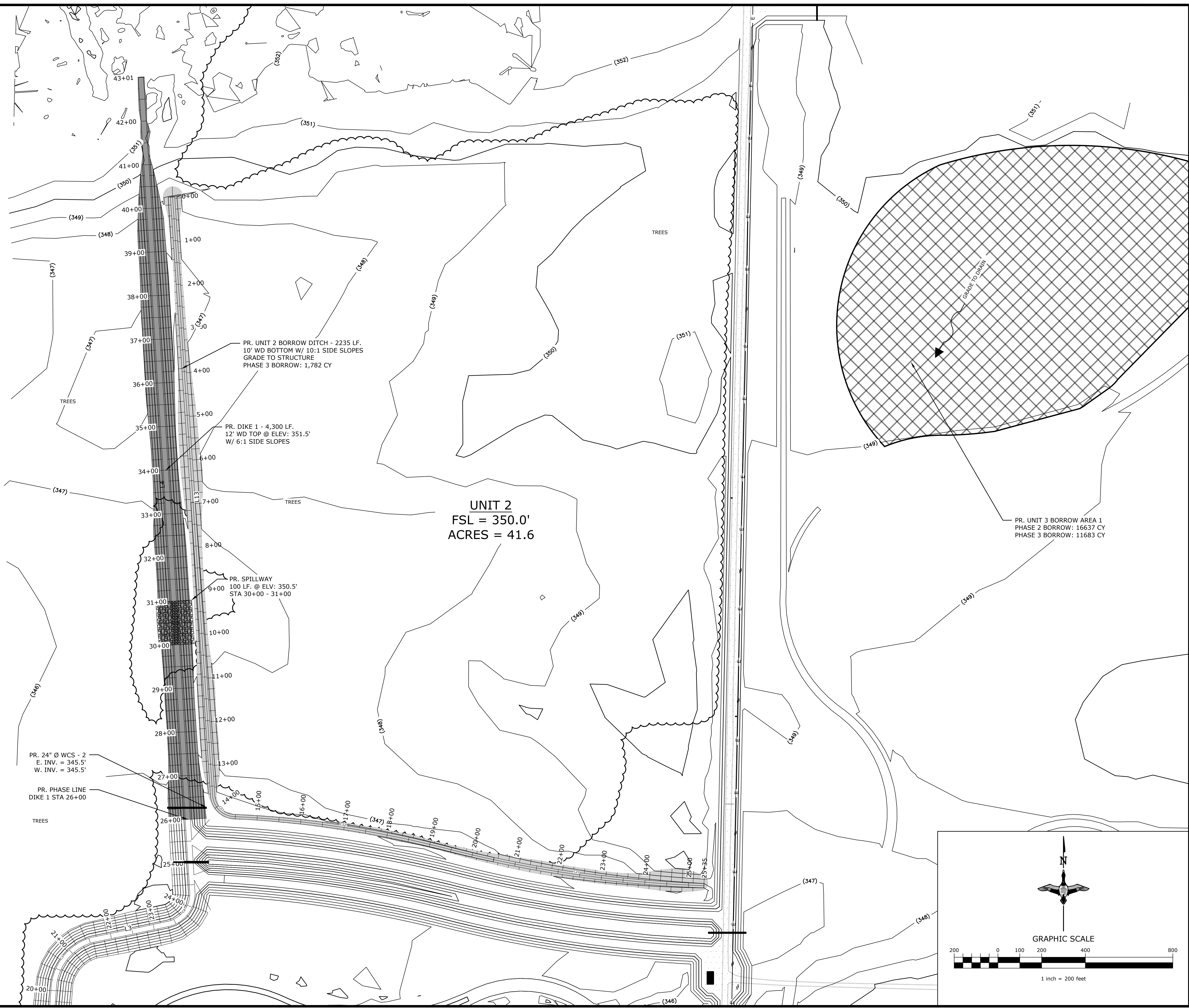
CAD FILE:
IN-125-3 Site Plan
DESIGNED BY: RC
DRAWN BY: BK
SURVEYED BY: RC & BK
BIOLOGIST: DC

DATE:
05/19/2022
PROJECT NUMBER:
US-IN-125-3

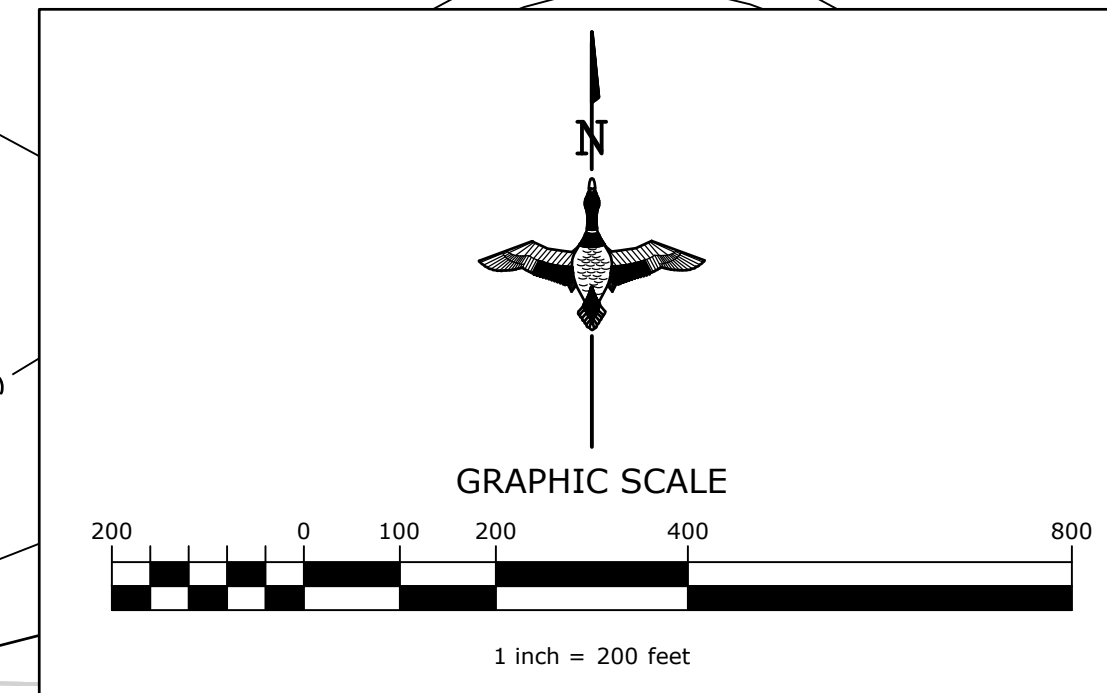
7

NOTICE: CONSTRUCTION SITE SAFETY IS THE SOLE RESPONSIBILITY OF THE CONTRACTOR. DUCKS UNLIMITED, INC. SHALL NOT ASSUME ANY RESPONSIBILITY FOR THE SAFETY OF THE WORK PERFORMED, PERSONS ENGAGED IN THE WORK, NEARBY STRUCTURES, OR OF OTHER PERSONS ON SITE. THIS MATERIAL, DATA AND INFORMATION IS THE PROPERTY OF DUCKS UNLIMITED, INC. AND IS NOT TO BE REPRODUCED OR TRANSMITTED IN ANY FORM OR BY ANY MEANS, ELECTRONIC OR MECHANICAL, INCLUDING PHOTOCOPYING, RECORDING, OR BY ANY INFORMATION STORAGE AND RETRIEVAL SYSTEM, WITHOUT THE PRIOR WRITTEN CONSENT OF DUCKS UNLIMITED, INC. DUCKS UNLIMITED, INC. MAKES NO WARRANTY, REPRESENTATION OR AGREEMENT OF ANY KIND, EXPRESS OR IMPLIED, REGARDING THE ACCURACY, COMPLETENESS, OR QUALITY OF THE MATERIAL, DATA AND INFORMATION OR THE RESULTS THEREOF. THE USER OF THIS MATERIAL, DATA AND INFORMATION IS AT THE USER'S SOLE RISK. BY USING ANY OF THIS MATERIAL, DATA AND INFORMATION, USER AGREES THAT DUCKS UNLIMITED, INC. IS NOT RESPONSIBLE FOR THEIR USE OF THE MATERIAL, DATA AND INFORMATION OR THE RESULTS THEREOF. ANY CHANGES, ALTERATIONS, OR MODIFICATIONS TO THIS MATERIAL, DATA AND INFORMATION SHALL BE THE RESPONSIBILITY OF THE USER. THIS DOCUMENT IS UNLESS OTHERWISE SPECIFICALLY NOTED, ALTERED, THE ALTERING ENGINEER, ARCHITECT, LANDSCAPE ARCHITECT OR LAND SURVEYOR SHALL STAMP THE DOCUMENT AND INCLUDE THE NOTATION "ALTERED BY" FOLLOWED BY THEIR SIGNATURE, THE DATE OF SUCH ALTERATION, AND A SPECIFIC DESCRIPTION OF THE ALTERATION.

F:\Vlaro cdd projects\in-125-3 behind lake\c3d_drawing\in-125-3 Site Plan.dwg, 10/25/2022 4:44 PM, Bradley Kullmann, Unit 2, Note



UNIT 2
 FSL = 350.0'
 ACRES = 41.6



PHASE 3 (UNIT 2) SITE PLAN
 BEHIND LAKE
 HOVEY LAKE FISH & WILDLIFE
 AREA
 POSEY COUNTY, IN

Revision	Sheet	Revisions	Date	By

CAD FILE: IN-125-3 Site Plan
 DESIGNED BY: RC
 DRAWN BY: BK
 SURVEYED BY: RC & BK
 BIOLOGIST: DC

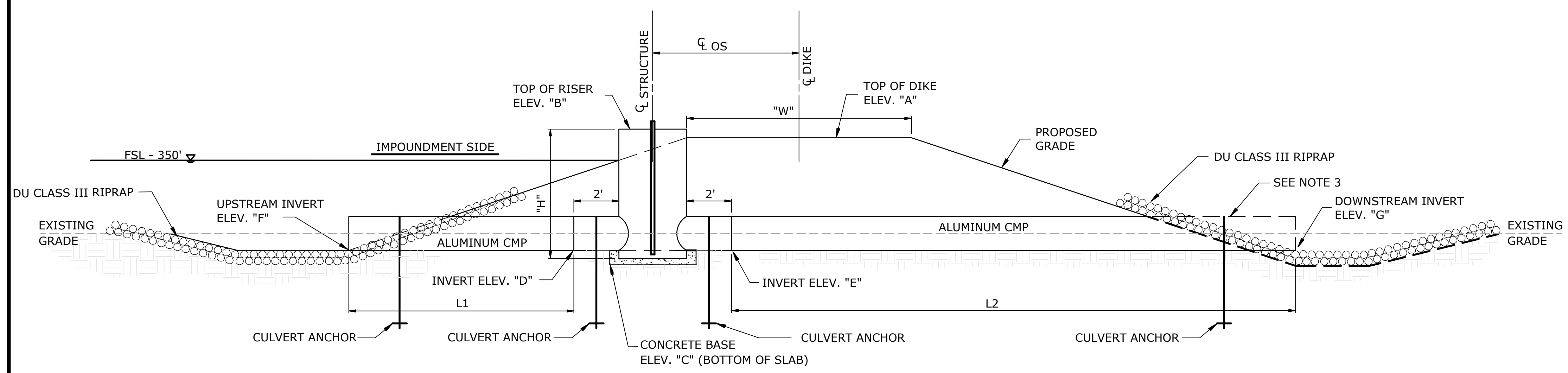
DATE: 05/19/2022
 PROJECT NUMBER: US-IN-125-3

8

GREAT LAKES/ATLANTIC REGIONAL OFFICE
 7322 NEWMAN BOULEVARD, BUILDING 1
 DEXTER, MICHIGAN 48130
 (734) 623-2000
 www.ducks.org

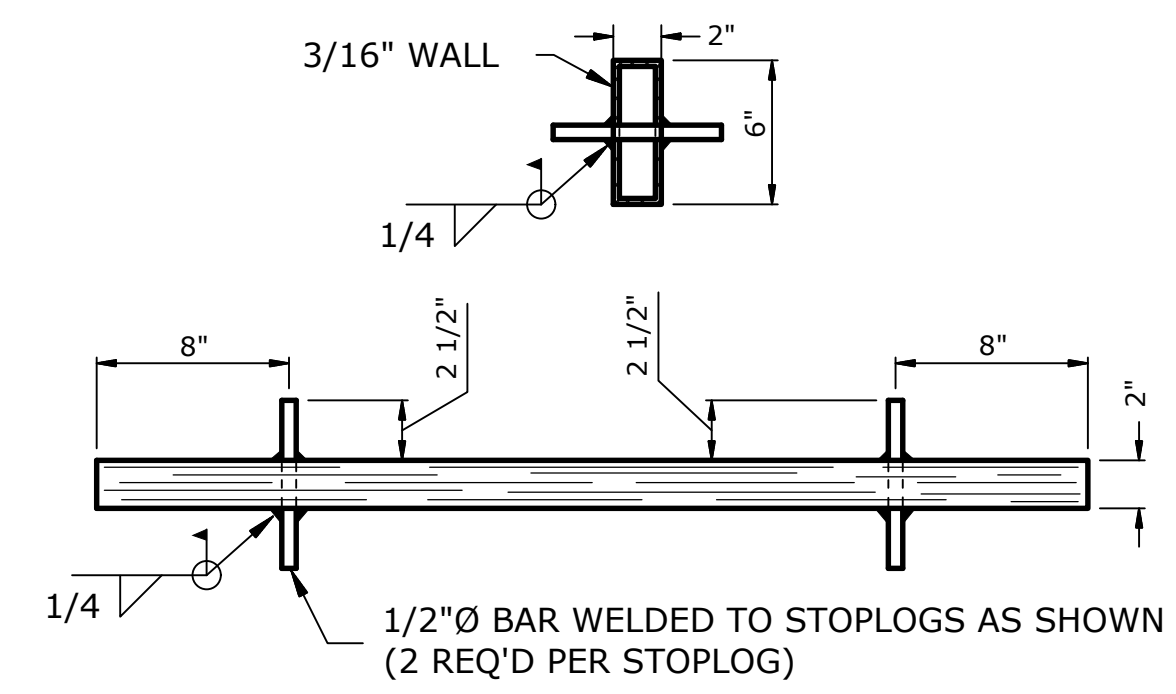
AFFIX SEAL: DUCKS UNLIMITED, INC.
 ON:

NOTICE: CONSTRUCTION SITE SAFETY IS THE SOLE RESPONSIBILITY OF THE CONTRACTOR. DUCKS UNLIMITED, INC. SHALL NOT ASSUME ANY RESPONSIBILITY FOR THE SAFETY OF THE WORK PERFORMED, PERSONS ENGAGED IN THE WORK, NEARBY STRUCTURES, OR OF OTHER PERSONS ON-SITE. THIS MATERIAL, DATA AND INFORMATION IS THE PROPERTY OF DUCKS UNLIMITED, INC. AND IS NOT TO BE REPRODUCED OR TRANSMITTED IN ANY FORM OR BY ANY MEANS, ELECTRONIC OR MECHANICAL, INCLUDING PHOTOCOPYING, RECORDING, OR BY ANY INFORMATION STORAGE AND RETRIEVAL SYSTEM, WITHOUT THE PRIOR WRITTEN CONSENT OF DUCKS UNLIMITED, INC. DUCKS UNLIMITED, INC. MAKES NO WARRANTY, REPRESENTATION OR AGREEMENT OF ANY KIND, EXPRESS OR IMPLIED, REGARDING THE ACCURACY, COMPLETENESS, OR QUALITY OF THE MATERIAL, DATA AND INFORMATION OR THE RESULTS THEREOF. THE USER SHALL BE RESPONSIBLE FOR THE PROTECTION OF THE MATERIAL, DATA AND INFORMATION FROM UNAUTHORIZED ALTERATION, AND A SPECIFIC DESCRIPTION OF THE ALTERATION.



PROFILE OF ALUMINUM CMP WATER CONTROL STRUCTURE
NOT TO SCALE

STRUCTURE	PIPE		RISER		TOP OF DIKE EL. "A"	TOP OF RISER EL. "B"	CONCRETE BASE EL. "C"	INLET I.E. EL. "D"	OUTLET I.E. EL. "E"	UPSTREAM INV. "F"	DOWNSTREAM INV. "G"	TOP WIDTH "W"	INLET LENGTH "L1"	OUTLET LENGTH "L2"	CL - CL OFFSET	RISER HEIGHT "H"	NO. OF STOPLOGS
	SIZE	GA.	SIZE	GA.													
WCS 1	24"	12	30"	12	351.50'	352.00'	343.50'	344.50'	344.50'	344.50'	344.50'	12'	41.0'	54.0'	7.25'	8.0'	11
WCS 2	24"	12	30"	12	351.50'	352.00'	344.50'	345.50'	345.50'	345.50'	345.50'	12'	33.5'	48.5'	7.25'	7.0'	9
WCS 3	24"	12	30"	12	351.50'	352.00'	346.00'	347.00'	347.00'	347.00'	347.00'	20'	26.5'	47.0'	13.25'	5.5'	6

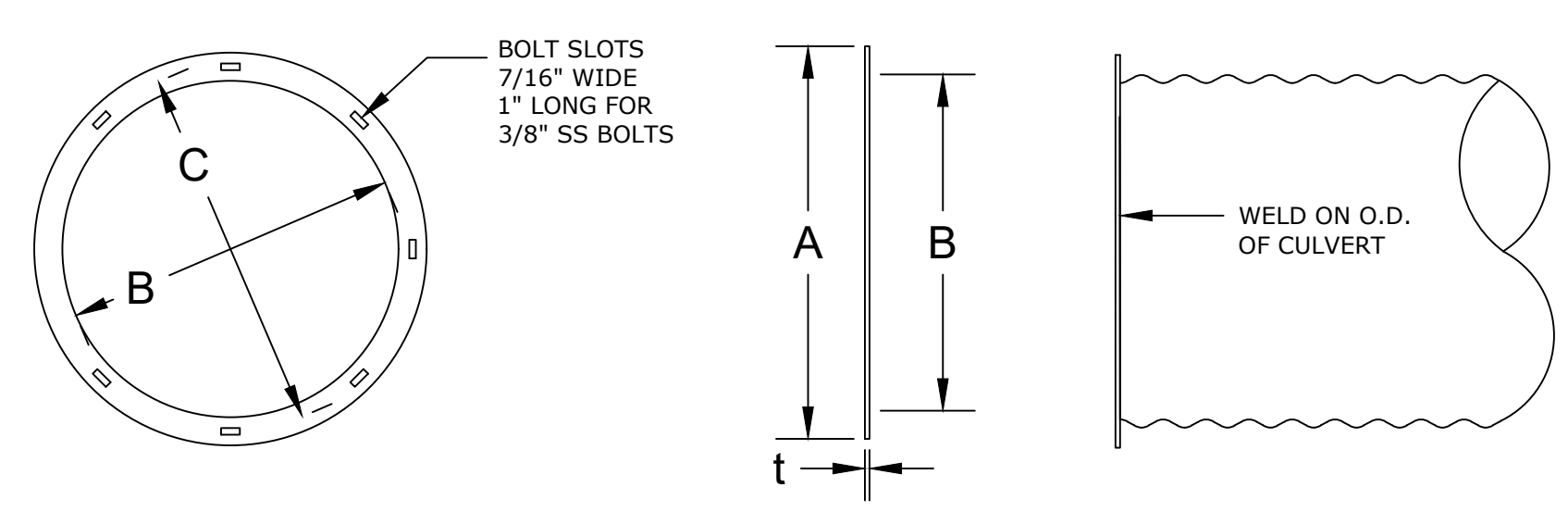


- NOTE: 1. WELD 1/20 BAR IN STOPLOGS.
 2. STOPLOGS SHALL BE 1" SHORTER THAN WIDTH BETWEEN STOPLOG GUIDES.
 3. FABRICATOR TO PROVIDE 1-2" & 1-3" STOPLOG IN ADDITION TO STOPLOGS SPECIFIED.

ALUMINUM STOPLOG DETAIL
NOT TO SCALE

NOTES:

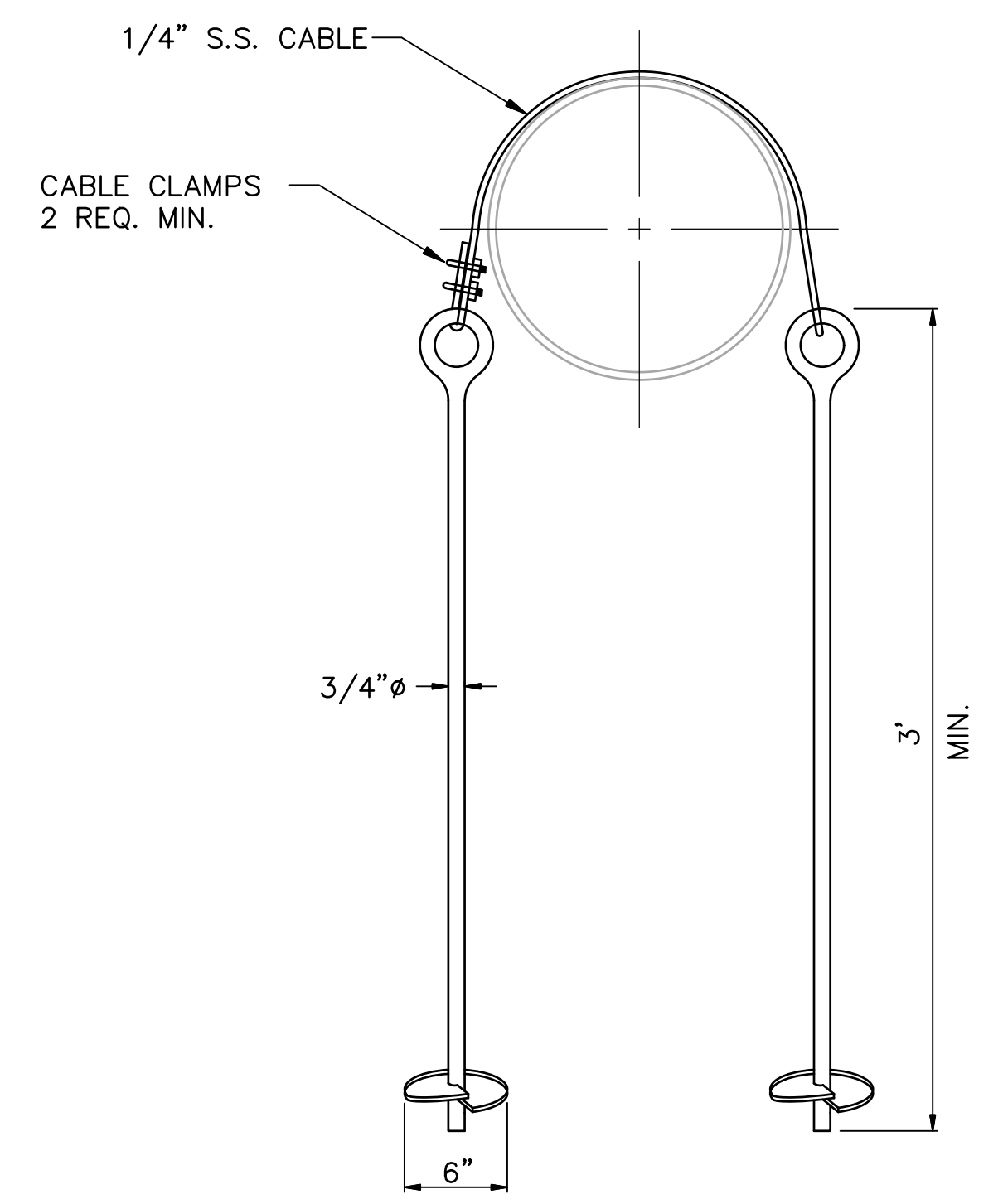
- "H" INCLUDES 0.5' OF RISER EMBEDDED IN CONCRETE
- ALL METAL PIPE SHALL BE CONNECTED WITH FLANGE COUPLERS
- DOWNSTREAM PIPE OUTLET SHALL CONFORM TO SLOPE FOR PIPE DIAMETERS 30" AND LARGER
- INLET AND/OR OUTLET PIPES GREATER THAN 20 LF. SHALL BE FABRICATED USING MULTIPLE SECTIONS NOT TO EXCEED 20 LF., CONNECTED W/ FLANGE COUPLERS. A FULL 20' SECTION MUST BE UTILIZED AS THE END SECTION OF PIPE.
- CONTRACTOR SHALL FIELD CHECK ALL EXISTING ELEVATIONS PRIOR TO CONSTRUCTION AND MAKE ADJUSTMENTS, IF NEEDED.



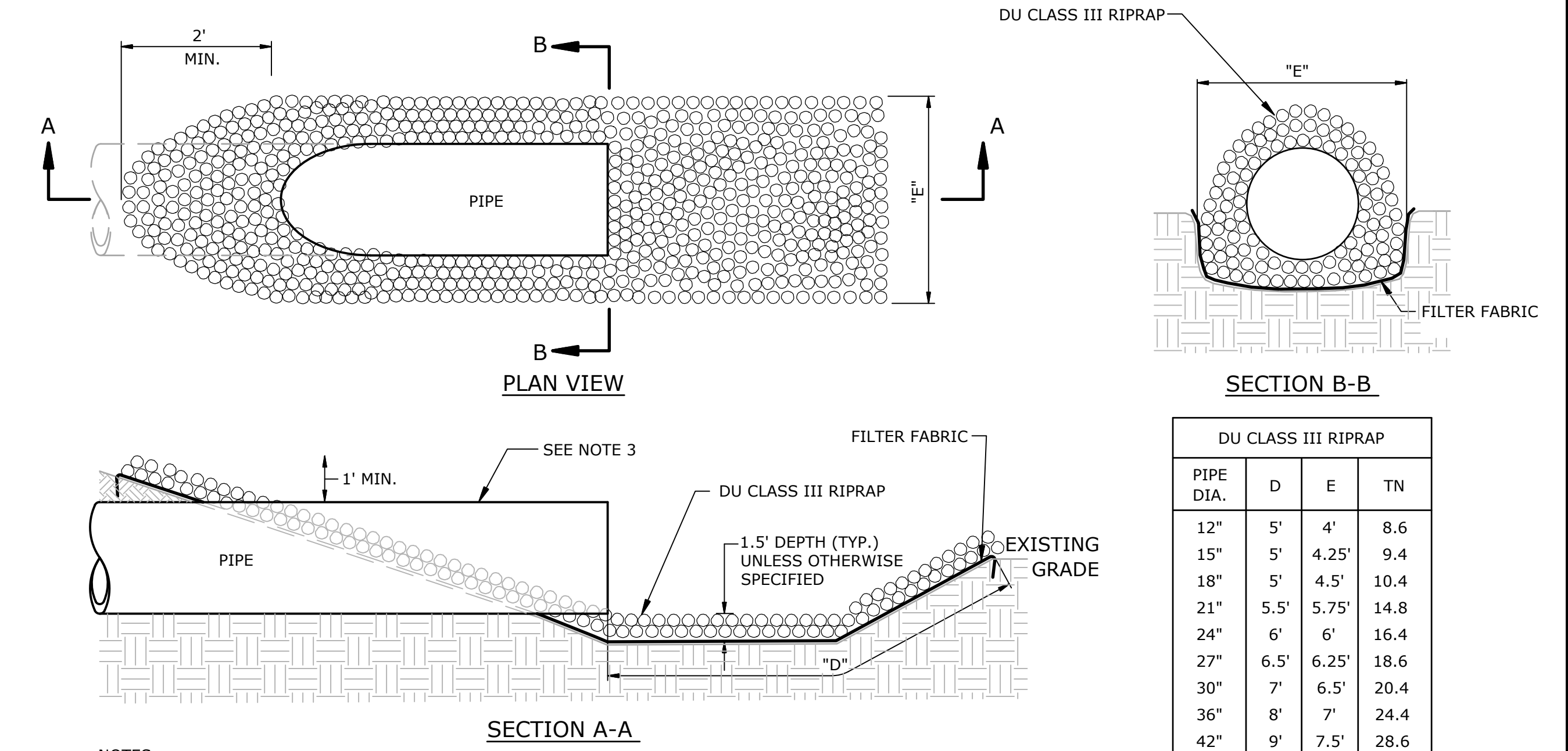
BASIC SIZE IN.	ALUM.	O.D. (A) FLANGE	I.D. (B) FLANGE	NO. HOLES	BOLT CIR. DIA. (C)	GASKET NO SECT
6	3/16	10	6	6	8	1
8	3/16	12	8	8	10	1
12	3/16	16	12	10	14	1
15	3/16	19	15	12	17	1
18	3/16	22	18	14	20	1
21	3/16	25	21	16	23	1
24	3/16	28	24	18	26	1
30	3/16	34	30	22	32	2
36	3/16	40	36	26	38	2
42	1/4	46	42	30	44	2
48	1/4	52	48	34	50	2

- NOTES: 1. 6" - 36" FLANGES CUT FROM 3/16 ALUMINUM PLATE.
 2. GASKETS DIE CUT FROM 1/8" PVC NITRILE FOAM ENSOLITE AND MATCHED TO CORRESPONDING FLANGE DIMENSIONS (BXD)(E) & NO HOLES.
 3. 2 WASHERS PER SLOT.

FLANGE COUPLER DETAIL
NOT TO SCALE



CULVERT ANCHOR
NOT TO SCALE

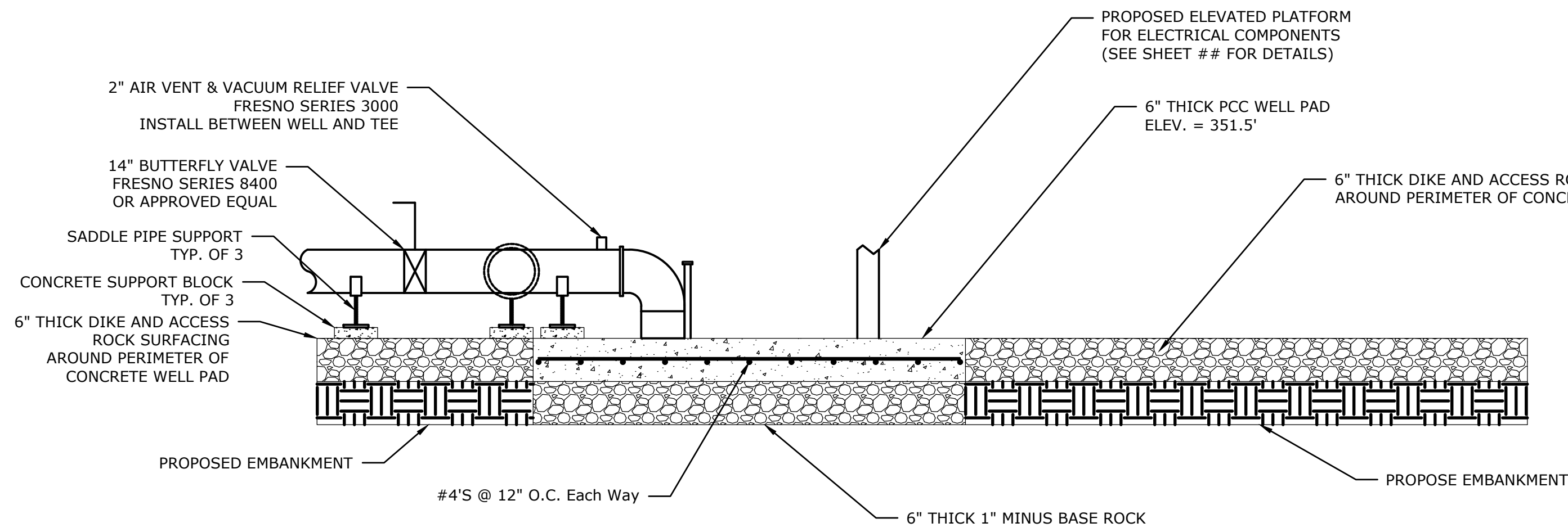


- NOTES:
 1. IF THE RIPRAP CLASS DESIGNATION IS NOT SPECIFIED ON THE CONSTRUCTION PLANS, CLASS 1 ROCK RIPRAP SHALL BE UTILIZED. THE ROCK SHALL BE APPROVED BY THE ENGINEER PRIOR TO INSTALLATION.
 2. UNLESS OTHERWISE SPECIFIED, FILTER FABRIC SHALL BE UTILIZED IN THE INSTALLATION OF RIPRAP.
 3. DOWNSTREAM CMP PIPE OUTLET SHALL CONFORM TO SLOPE FOR PIPE DIAMETERS 30" AND LARGER.
 4. RIPRAP SHALL BE PLACED ON INLET AND OUTLET SIDE.
 5. RIPRAP QUANTITIES IN TABLE ACCOUNTS FOR INLET AND OUTLET SIDE.

OUTLET AND RIPRAP DETAIL
NOT TO SCALE

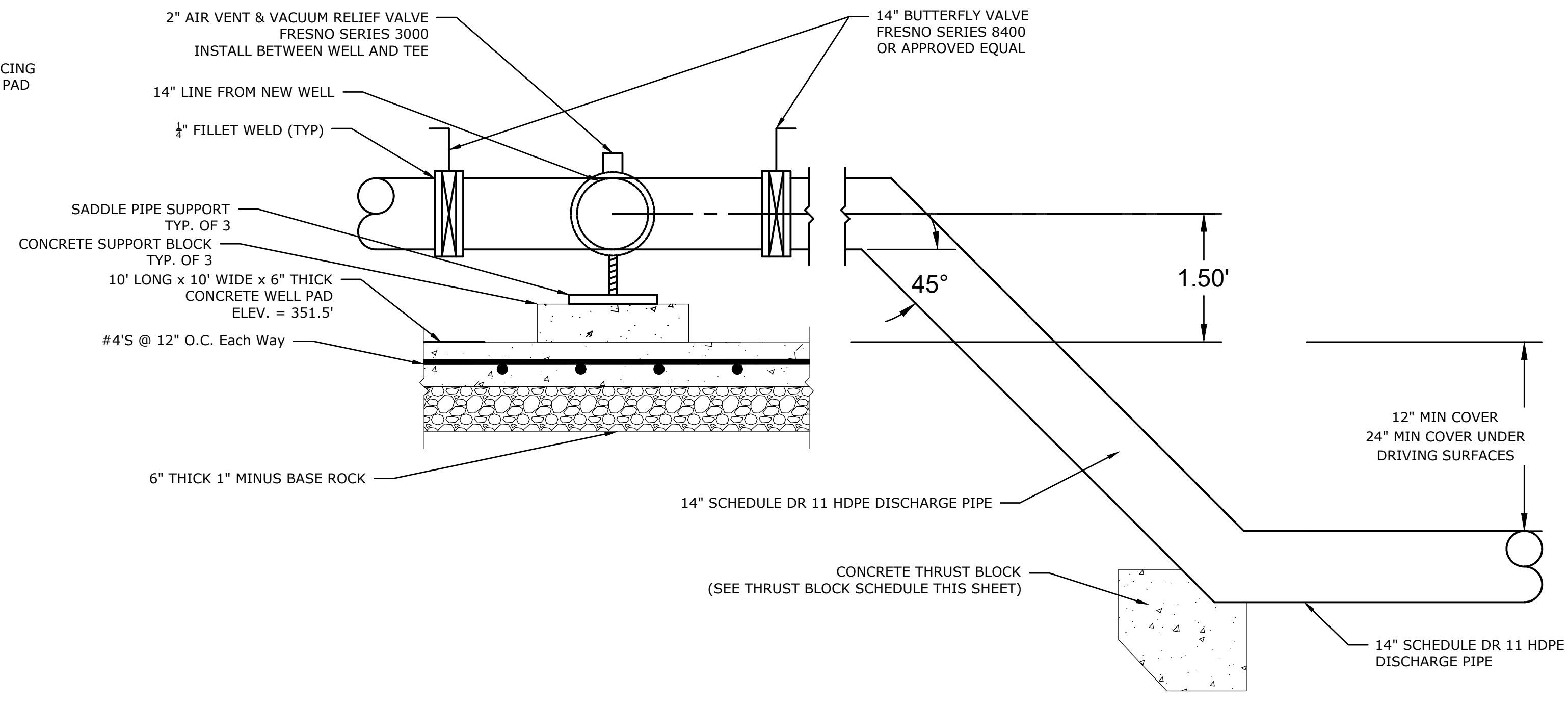
DU CLASS III RIPRAP			
PIPE DIA.	D	E	TN
12"	5'	4'	8.6
15"	5'	4.25'	9.4
18"	5'	4.5'	10.4
21"	5.5'	5.75'	14.8
24"	6'	6'	16.4
27"	6.5'	6.25'	18.6
30"	7'	6.5'	20.4
36"	8'	7'	24.4
42"	9'	7.5'	28.6
48"	10'	8'	33.0
54"	12'	8.5'	39.6
60"	12.5'	9'	43.6

By	Date	Revisions	Sheet	Revision

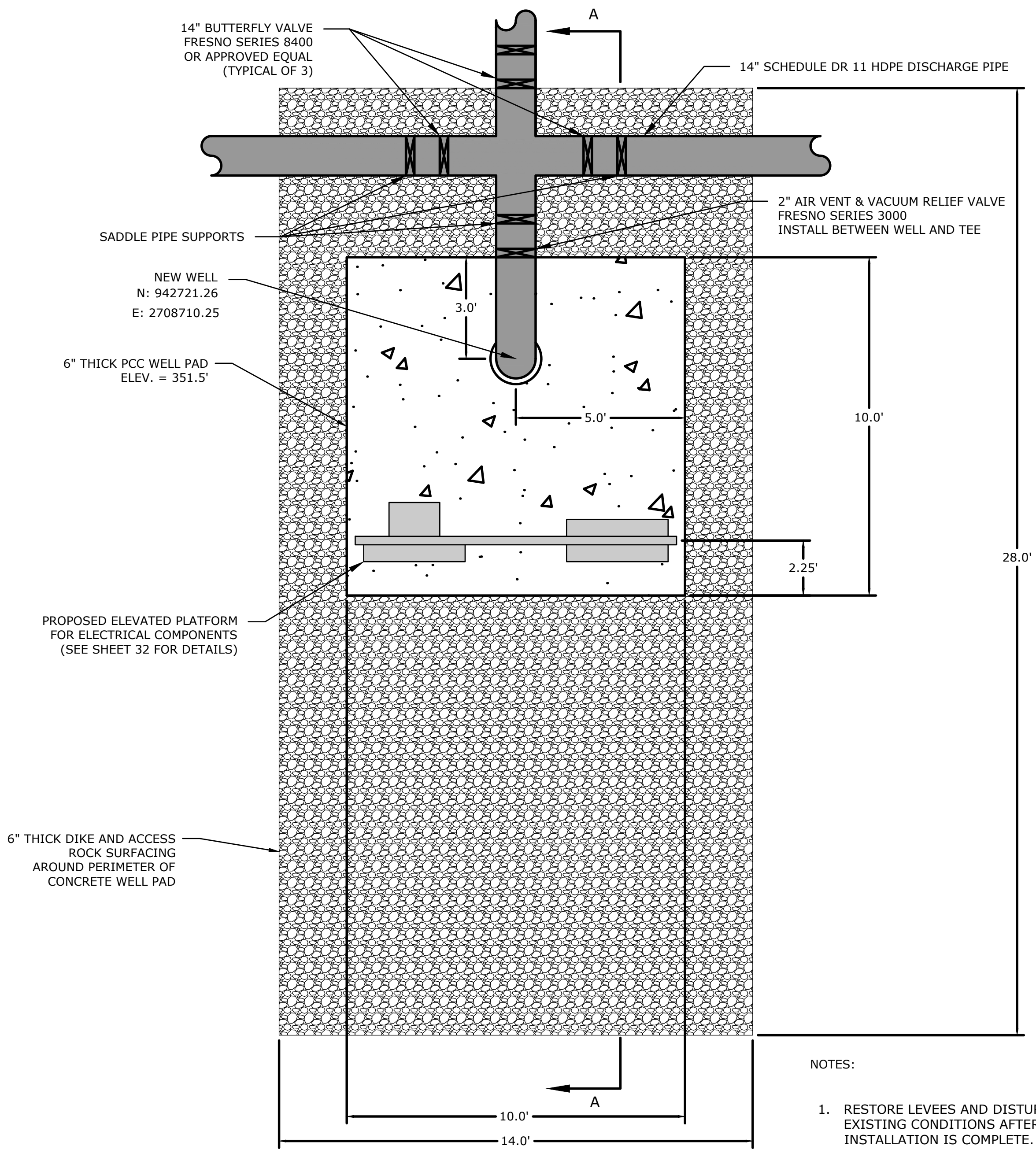


- NOTES:
- SUPPORT BLOCKS SHALL BE 14" ADJUSTABLE SADDLE PIPE SUPPORT TYPE OR ENGINEERS APPROVED EQUAL.
 - SADDLE PIPE SUPPORTS SHALL BE MOUNTED TO 24"X24"X4" CONCRETE SUPPORT BLOCKS. REINFORCEMENT WILL NOT BE REQUIRED FOR CONCRETE SUPPORT BLOCKS.

TYPICAL WELL PAD SECTION A-A'
NOT TO SCALE

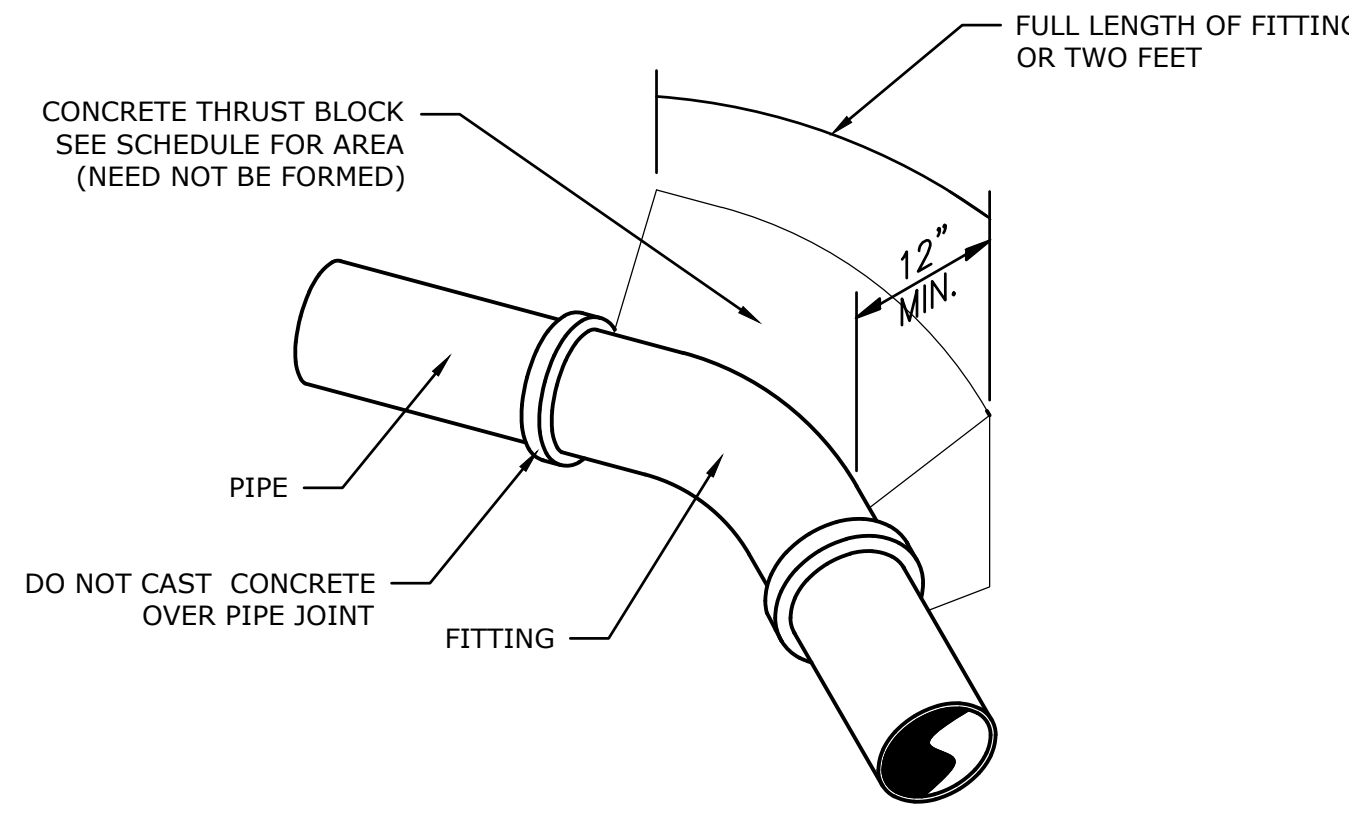


TYPICAL DISCHARGE LINE AT WELL
NOT TO SCALE



TYPICAL WELL PAD DETAIL
NOT TO SCALE

- NOTES:
- RESTORE LEVEES AND DISTURBED AREAS BACK TO EXISTING CONDITIONS AFTER WELL AND PIPE INSTALLATION IS COMPLETE.



TYPICAL CONCRETE THRUST BLOCK DETAIL
NOT TO SCALE

THRUST BLOCK SCHEDULE BEARING AREA, SQ. FT.							
SIZE	TEE	END CAP	CROSS	90°	45°	22 1/2°	11 1/4°
24"	14.0	14.0	14.0	19.0	10.0	5.6	2.8
18"	8.2	8.2	8.2	11.6	6.3	3.1	1.6
16"	6.0	6.0	6.0	8.5	4.6	2.4	1.2
14"	4.7	4.7	4.7	6.1	3.6	1.8	0.9
12"	3.8	3.8	3.8	5.4	2.9	1.5	0.8
10"	2.7	2.7	2.7	3.8	2.1	1.1	0.6
8"	1.8	1.8	1.8	2.5	1.3	0.7	0.4
4"+6"	1.0	1.0	1.0	1.5	0.8	0.4	0.3

NOTICE: CONSTRUCTION SITE SAFETY IS THE SOLE RESPONSIBILITY OF THE CONTRACTOR. DUCKS UNLIMITED, INC. SHALL NOT ASSUME ANY RESPONSIBILITY FOR THE SAFETY OF THE WORK PERFORMED, PERSONS ENGAGED IN THE WORK, NEARBY STRUCTURES, OR OF OTHER PERSONS ON SITE. THIS MATERIAL, DATA AND INFORMATION IS THE PROPERTY OF DUCKS UNLIMITED, INC. AND IS NOT TO BE REPRODUCED OR TRANSMITTED IN ANY FORM OR BY ANY MEANS, ELECTRONIC OR MECHANICAL, INCLUDING PHOTOCOPYING, RECORDING, OR BY ANY INFORMATION STORAGE AND RETRIEVAL SYSTEM, WITHOUT THE PRIOR WRITTEN CONSENT OF DUCKS UNLIMITED, INC. DUCKS UNLIMITED, INC. MAKES NO WARRANTY, EXPRESS OR IMPLIED, FOR THE ACCURACY, COMPLETENESS, OR FITNESS FOR ANY PARTICULAR PURPOSE OF THE MATERIAL, DATA AND INFORMATION. USER AGREES TO HOLD DUCKS UNLIMITED, INC. HARMLESS FROM AND AGAINST ALL LIABILITY, INCLUDING REASONABLE ATTORNEY'S FEES, FOR ANY AND ALL DAMAGES, LOSSES, AND EXPENSES, INCLUDING REASONABLE ATTORNEY'S FEES, THAT MAY BE INCURRED BY THE USER AS A RESULT OF THE USE OF THIS MATERIAL, DATA AND INFORMATION. BY USING ANY OF THIS MATERIAL, DATA AND INFORMATION, USER AGREES TO HOLD DUCKS UNLIMITED, INC. HARMLESS FROM AND AGAINST ALL LIABILITY, INCLUDING REASONABLE ATTORNEY'S FEES, FOR ANY AND ALL DAMAGES, LOSSES, AND EXPENSES, INCLUDING REASONABLE ATTORNEY'S FEES, THAT MAY BE INCURRED BY THE USER AS A RESULT OF THE USE OF THIS MATERIAL, DATA AND INFORMATION. THE ALTERING ENGINEER, ARCHITECT, LANDSCAPE ARCHITECT, OR LAND SURVEYOR SHALL STAMP THE DOCUMENT AND INCLUDE THE NOTATION "ALTERED BY FOLLOWED BY THEIR SIGNATURE, THE DATE OF SUCH ALTERATION, AND A SPECIFIC DESCRIPTION OF THE ALTERATION."

F:\Vilareo c3d projects\in-125-3 behind lake\c3d_drawing\in-125-3 Details.dwg, 10/25/2022 4:49 PM, Bradley Kullmann, Well Pad, None

GREAT LAKES/ATLANTIC REGIONAL OFFICE
 7322 NEWMAN BOULEVARD, BUILDING 1
 DEXTER, MICHIGAN 48130
 (734) 623-2000
 www.ducks.org

WELL PAD DETAILS
 BEHIND LAKE
 HOVEY LAKE FISH & WILDLIFE
 AREA
 POSEY COUNTY, IN

Revision	Sheet	Date	By

CAD FILE:
 IN-125-3 Details

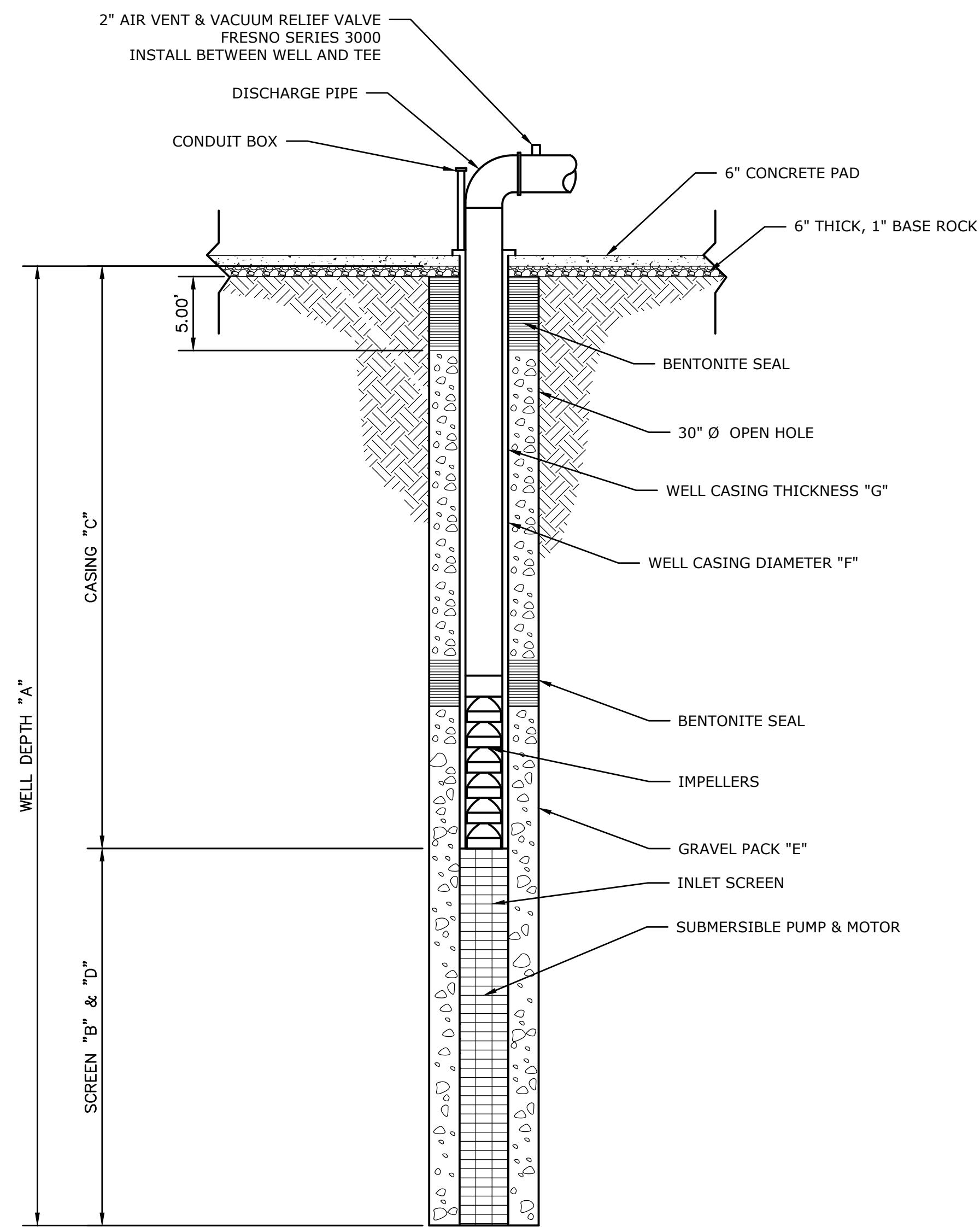
DESIGNED BY: RC
 DRAWN BY: BK
 SURVEYED BY: RC & BK
 BIOLOGIST: DC

DATE:
 05/19/2022
 PROJECT NUMBER:
 US-IN-125-3

30

NOTICE: CONSTRUCTION SITE SAFETY IS THE SOLE RESPONSIBILITY OF THE CONTRACTOR. DUCKS UNLIMITED, INC. SHALL NOT ASSUME ANY RESPONSIBILITY FOR THE SAFETY OF THE WORK PERFORMED, PERSONS ENGAGED IN THE WORK, NEARBY STRUCTURES, OR OF OTHER PERSONS ON-SITE. THIS MATERIAL, DATA AND INFORMATION IS THE PROPERTY OF DUCKS UNLIMITED, INC. AND IS TO BE USED ONLY FOR THE PROJECT AND SITE SPECIFICALLY IDENTIFIED IN THE CONTRACT DOCUMENTS. NO PART OF THIS MATERIAL, DATA AND INFORMATION IS TO BE REPRODUCED, COPIED, OR TRANSMITTED IN ANY FORM OR BY ANY MEANS, ELECTRONIC OR MECHANICAL, INCLUDING PHOTOCOPYING, RECORDING, OR BY ANY INFORMATION STORAGE AND RETRIEVAL SYSTEM, WITHOUT THE PRIOR WRITTEN CONSENT OF AN AUTHORIZED AGENT OF DUCKS UNLIMITED, INC. DUCKS UNLIMITED, INC. MAKES NO WARRANTY, EXPRESS OR IMPLIED, FOR THE ACCURACY, COMPLETENESS, OR QUALITY OF THIS MATERIAL, DATA AND INFORMATION. USER AGREES THAT DUCKS UNLIMITED, INC. IS NOT RESPONSIBLE FOR THEIR USE OF THE MATERIAL, DATA AND INFORMATION OR THE RESULTS THEREOF. THE USER'S SOLE RISK. BY USING ANY OF THIS MATERIAL, DATA AND INFORMATION, USER AGREES THAT DUCKS UNLIMITED, INC. IS NOT RESPONSIBLE FOR THEIR USE OF THE MATERIAL, DATA AND INFORMATION OR THE RESULTS THEREOF. THE USER'S SOLE RISK. ANY ALTERATION, MODIFICATION, OR REVISION TO THIS MATERIAL, DATA AND INFORMATION SHALL BE THE RESPONSIBILITY OF THE USER. THE USER SHALL STAMP THE DOCUMENT AND INCLUDE THE NOTATION "ALTERED BY" FOLLOWED BY THEIR SIGNATURE, THE DATE OF SUCH ALTERATION, AND A SPECIFIC DESCRIPTION OF THE ALTERATION.

F:\valero c3d projects\in-125-3 behind lake\c3d_drawing\in-125-3 Details.dwg, 10/25/2022 4:49 PM, Bradley Kullmann, Well Detail, None

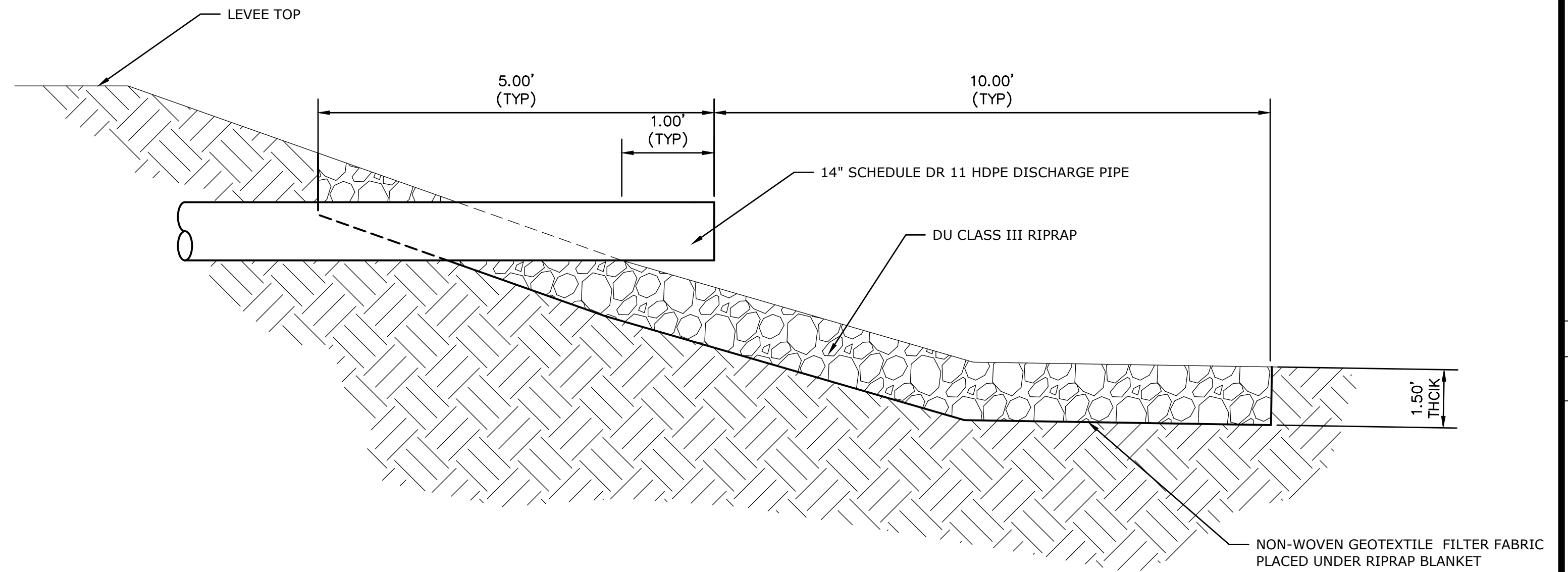


TYPICAL WELL DETAIL
NOT TO SCALE

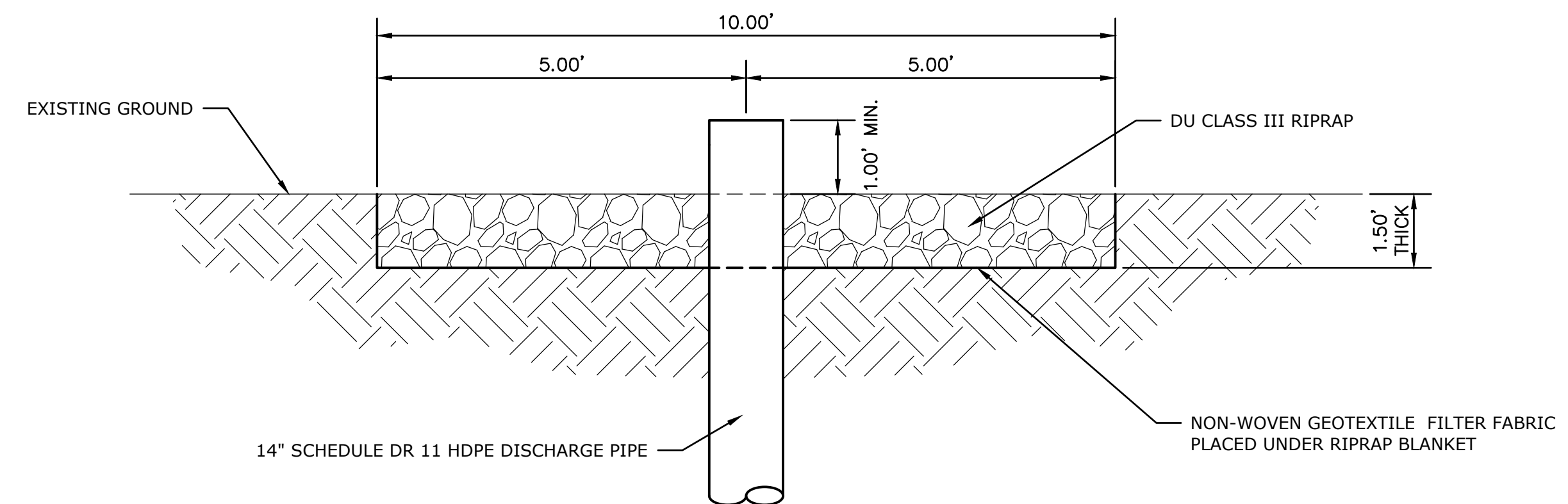
WELL	DEPTH OF WELL "A"	LENGTH OF SCREEN "B"	LENGTH OF CASING "C"	STAINLESS STEEL SLOT SCREEN SIZE "D"	GRAVEL PACK "E"	WELL CASING DIAMETER "F"	WELL CASING THICKNESS "G"
MAIN WELL	100'-120'	30'	70'-90'	TBD	TBD	24"	0.375"

NOTES:

- RESTORE LEVEES AND DISTURBED AREAS BACK TO EXISTING CONDITIONS AFTER WELL AND PIPE INSTALLATION IS COMPLETE.
- CONTRACTOR SHALL SECURELY MOUNT GROUT PLATE TO CONCRETE AND DISCHARGE HEAD TO GROUT PLATE PER MANUFACTURERS WRITTEN SPECIFICATIONS.
- CONTRACTOR SHALL PURCHASE AND INSTALL DISCHARGE PIPE AND APPURTENANCES TO EACH POOL AS SHOWN ON PLANS.
- QUANTITIES & DIMENSIONS ARE TO BE DETERMINED AND VERIFIED BY WELL DRILLER AND TEST WELL.



TYPICAL RIPRAP OUTLET BASIN 1
NOT TO SCALE



TYPICAL RIPRAP OUTLET BASIN 2
NOT TO SCALE

NOTES:

- WIDTH OF TYPICAL RIPRAP OUTLET BASINS 1 & 2 = 10FT

Revision	Sheet	By	Date

CAD FILE:
 IN-125-3 Details
 DESIGNED BY: RC
 DRAWN BY: BK
 SURVEYED BY: RC & BK
 BIOLOGIST: DC

DATE:
 05/19/2022
 PROJECT NUMBER:
 US-IN-125-3

