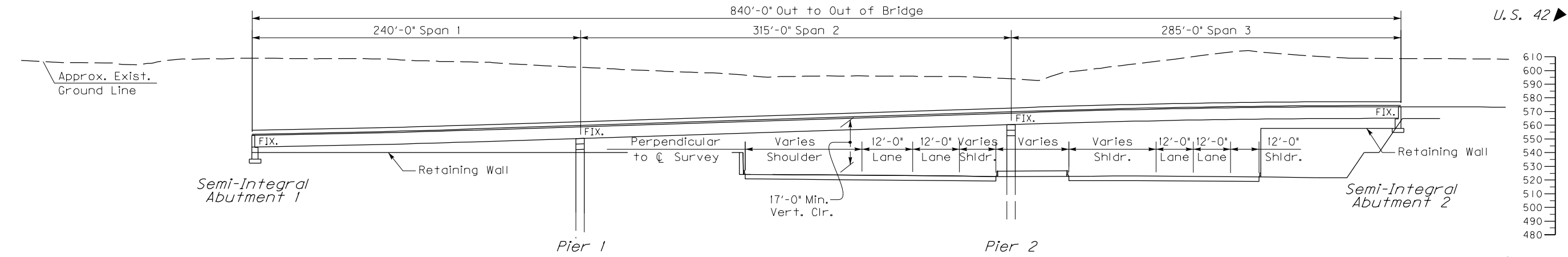
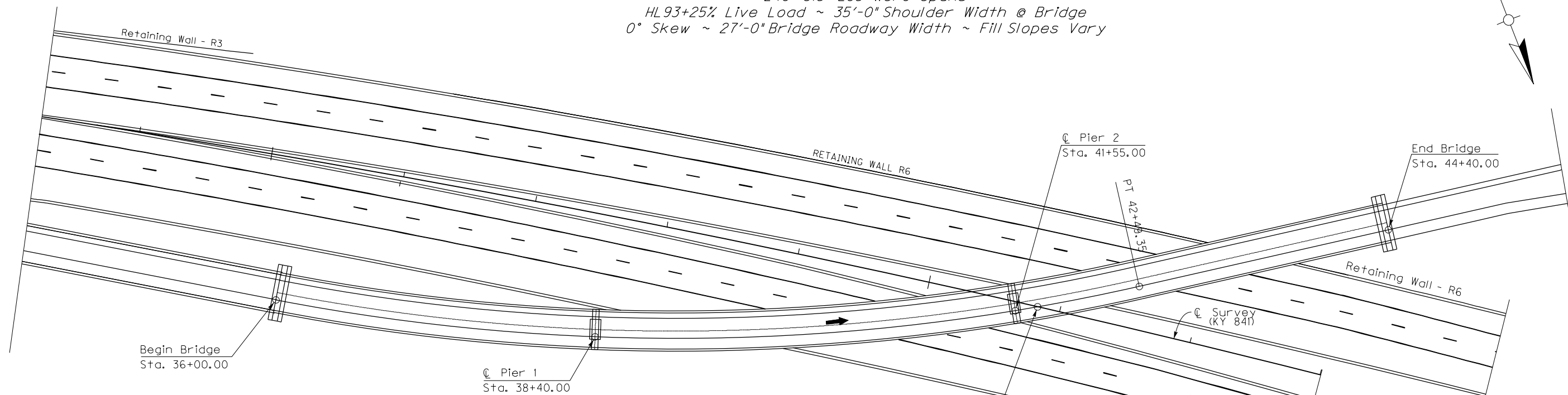


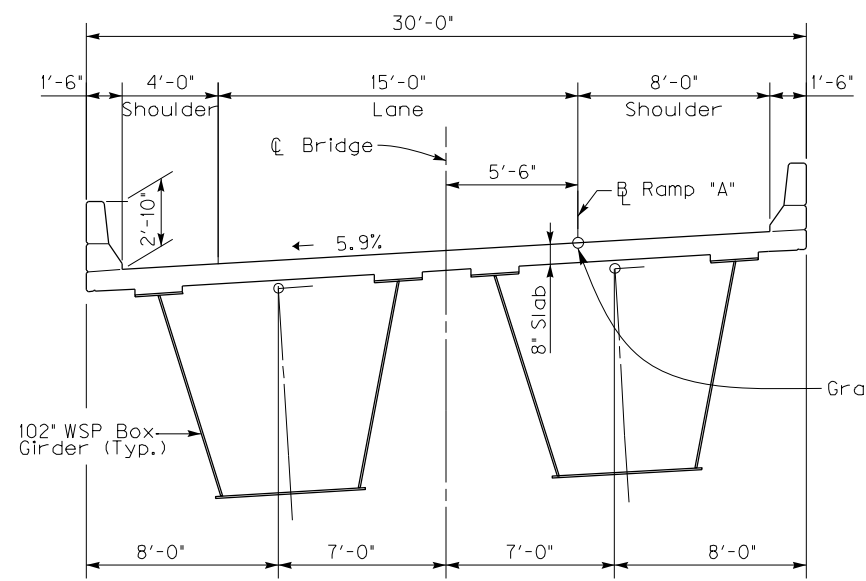
FILE NAME: T:\N665-DESIGN\CONTRACT PLAN SET\PLG PLANS\SDC ELECTRONIC DELIVERABLES AND REFERENCE DATA CHECKLIST\4.8-STRUCTURES\4.8-2-51.BRIDGE
 USER: jgraves
 DATE PLOTTED: December 21, 2011
 E-SHEET NAME:
 MicroStation v8.11.7.469



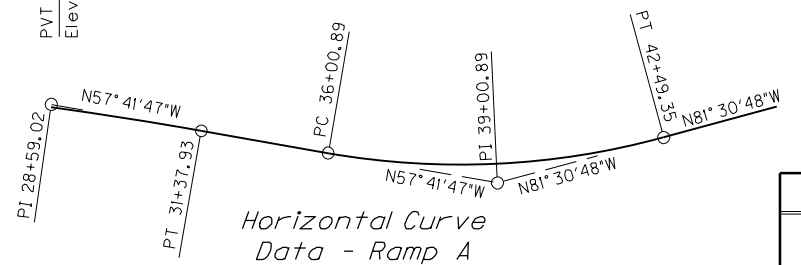
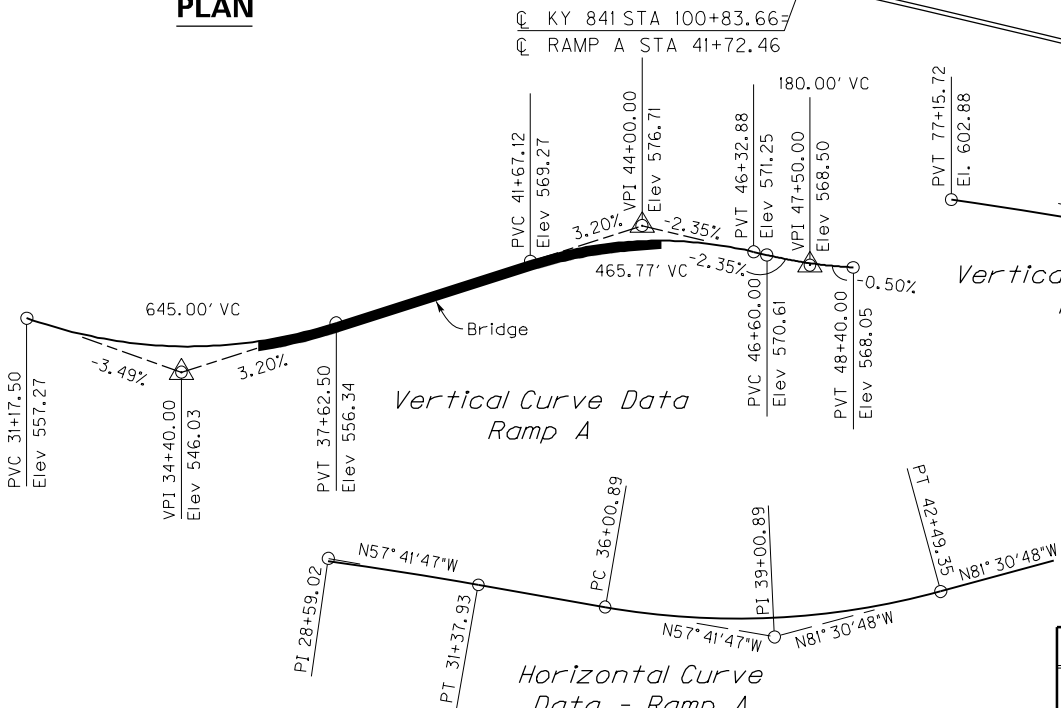
ELEVATION
 240'-315'-285' WSPG Spans
 HL93+25% Live Load ~ 35'-0" Shoulder Width @ Bridge
 0° Skew ~ 27'-0" Bridge Roadway Width ~ Fill Slopes Vary



PLAN



TYPICAL SECTION

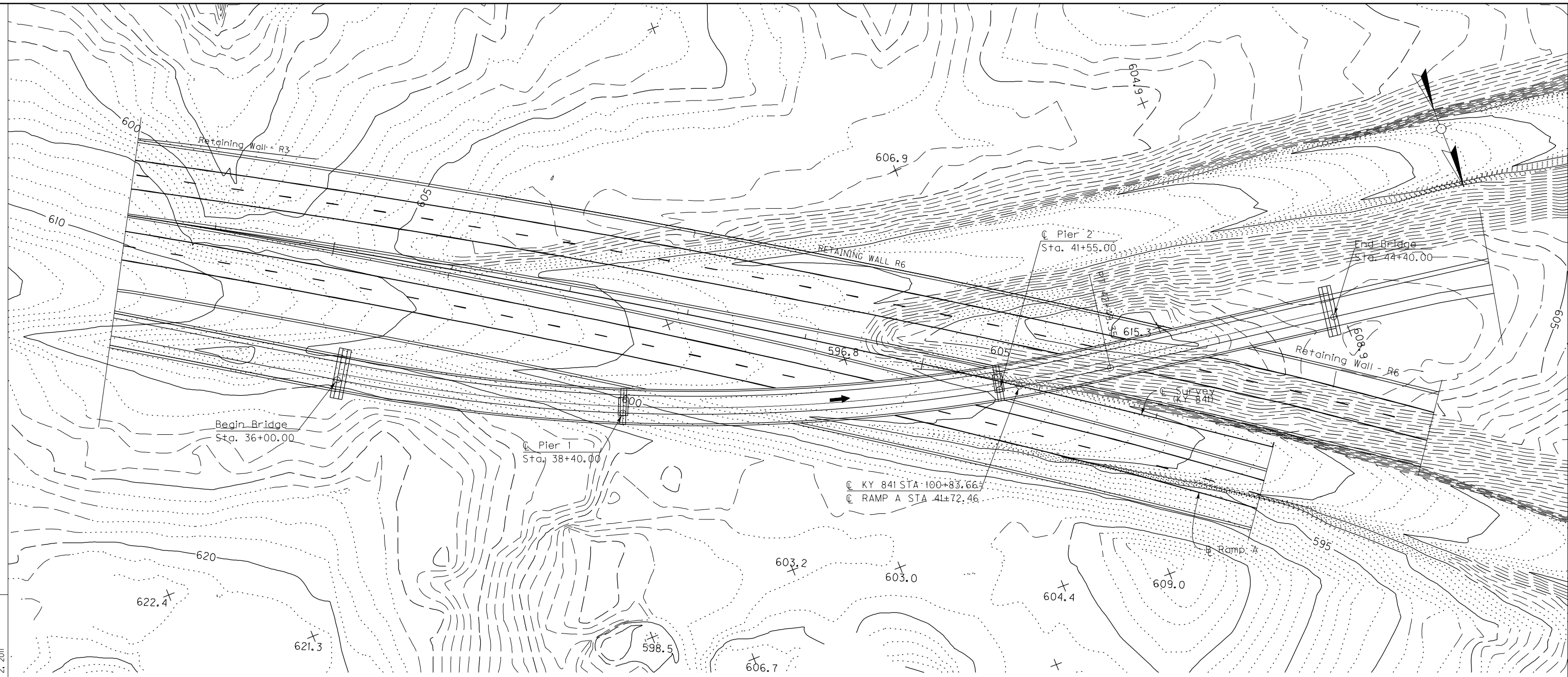


PROP @ KY 841 PI STA 80+18.45 $\Delta = 26^{\circ}07'43''$ RT T = 2366.91 L = 4651.49 R = 10200.00 E = 271.02 e = 1/2 Runoff = Runout =	PROPOSED RAMP A PI STA 39+29.87 $\Delta = 23^{\circ}49'01''$ LT T = 328.98 L = 648.47 R = 1560.00 E = 34.31 e = 1/2 Runoff = Runout =
--	--

REVISION	DATE
DATE: Nov. 2011	CHECKED BY
DESIGNED BY:	
DETAILED BY: L. Graves	W. D. Burton
Commonwealth of Kentucky	
DEPARTMENT OF HIGHWAYS	
COUNTY JEFFERSON	
ROUTE Ramp A	CROSSING KY 841
PRELIMINARY LAYOUT	
ITEM NUMBER	SHEET NO.
	DRAWING NO.

LOCHNER

MicroStation v8.11.7.469 E-SHEET NAME: USER: lgraves DATE PLOTTED: November 2, 2011 FILE NAME: T:\865-DESIGN-CONTRACT PLAN SET\PLG PLANS\SDC ELECTRONIC DELIVERABLES AND REFERENCE DATA CHECKLIST\4.8-STRUCTURES\4.8.2-STAGE



CONTOUR PLAN

ITEM NUMBER

REVISION		DATE
DATE: Nov. 2011	CHECKED BY	
DESIGNED BY:	W. D. Burton	
DETAILED BY: L. Graves	W. D. Burton	
Commonwealth of Kentucky DEPARTMENT OF HIGHWAYS		
COUNTY JEFFERSON		
ROUTE Ramp A	CROSSING KY 841	
CONTOUR PLAN		
PREPARED BY	SHEET NO.	
LOCHNER		
	DRAWING NO.	